



PARTS BOOK

2014 Rev 01

ONSPOT OF NORTH AMERICA, INC.

CORPORATE OFFICE

555 Lordship Blvd
Stratford, CT 06615-7124
Phone 1-800-766-7768 Fax (203) 380-0441

WEST COAST OFFICE

4700 Quarter Horse Court P.O.Box 608
Pilot Hill, CA 95664
Phone 1-888-404-8689 Fax 530-823-0552

MANUFACTURING PLANT

1075 Rodgers Park Drive
North Vernon, IN 47265
Phone 1-800-224-2467 Fax (812) 346-1819

ROCKY MOUNTAIN OFFICE

506 33rd Street
Evans, CO 80620
Phone 1-866-530-8977 Fax 970-330-1613



Automatic Tire Chains

Table of Contents

Description	Page
How to Identify Your Onspot Chain Units	3
Easy Reference Parts List.....	4
Onspot Model 04 Numbering	5
Onspot Model 05 Numbering	6
Onspot Arm Dimensions	7
Onspot Model 03001A10	8
Onspot Model 03002A10	10
Onspot Model 03011A10	12
Onspot Model 0400110.....	14
Onspot Model 04001A10	16
Onspot Model 04001BC10.....	18
Onspot Model 04001BCA10	20
Onspot Model 04002110.....	22
Onspot Model 040028.....	24
Onspot Model 04051BC10.....	26
Onspot Model 04051BCA10	28
Onspot Model 04051HCBC10	30
Onspot Model 04052HCBCA10	32
Onspot Model 04652HCBCA10	34
Onspot Model 04012A10	36
Onspot Model 04011HCBC10	38
Onspot Model 04011HCBCA10	40
Onspot Model 04011HCA10	42
Onspot Model 04012HCBC10	44
Onspot Model 04012HCBCA10	46
Onspot Model 04012HCA10	48
Onspot Model 04012LCA10.....	50
Onspot Model 0402110.....	52
Onspot Model 04021A10	54
Onspot Model 04021BC10.....	56
Onspot Model 04021BCA10	58
Onspot Model 0460110.....	60
Onspot Model 04601A9	62
Onspot Model 04601A10	64
Onspot Model 04601BCA10	66
Onspot Model 04602BCA10	68
Onspot Model 046028.....	70
Onspot Model 04612HCA8	72
Onspot Model 04612HCA10	74
Onspot Model 046228.....	76
Onspot Model 046328.....	78
Onspot Model 04632A8	80
Onspot Model 04632AS8.....	82
Onspot Model 04632A832 Special 32 Deg Arm Bend.....	84
Onspot Model 046427.....	86
Onspot Model 04642A7	88



Automatic Tire Chains

Table of Contents

Description	Page
Onspot Model 0500110.....	90
Onspot Model 05001A10	92
Onspot Model 05002HCA8 Link 8M000097, 8M000100	94
Onspot Model 05002HCA838 Link 8M000035	96
Onspot Model 05042HCA955 Gillig Bus.....	98
Onspot Model 05012HCA10 Hendrickson 52K Fabricated Walk Beam.....	100
Onspot Model 0510110 Hendrickson Cast Walk Bean.....	102
Onspot Model 05101A10 Hendrickson Cast Walk Beam	104
Onspot Model 05311HCA10 Hendrickson HN Fabricated Walk Beam	106
Onspot Model 05312HCA10 Hendrickson HN Fabricated Walk Beam	108
Onspot Model 05411HCA10 Hendrickson RT Fabricated Walk Beam.....	110
Onspot Model 05412HCA10 Hendrickson RT Fabricated Walk Beam.....	112
Onspot Model 05501A10 Raydan Suspension	114
Onspot Model 05502A10 Raydan Suspension	116
Onspot Model 05711HCA10 Hendrickson Haulmaxx Suspension	118
Onspot Model 05712HCA10 Hendrickson Haulmaxx Suspension	120
Onspot Model 05811HCA10 Raydan Suspension.....	122
Onspot Model 05812HCA10 Raydan Suspension.....	124
0586-D Factory Air Kit.....	126
0925 Complete 190 mm Chainwheel.....	128
1392 Complete 170 mm Chainwheel.....	130
Onspot Model M-35	132
Onspot Model M-3504	134
Onspot Model M35P2	136
Onspot Model M55P2	138
1037-A/B Air Cylinders.....	140
1037-C Model 03 Cylinder	142
Air Compressor Kit.....	144
Onspot Model 012 Neway AD Suspension.....	146
Onspot Model 012-131 Neway AD Suspension	148
Onspot Model 012-180 Neway AD Suspension	150
0586-12 Factory Air Kit for Model 012	152
Onspot Model 04001BCAX10 Extreme Duty Application	154
Onspot Model 04001BCX1026 Extreme Duty Application	156
Onspot Model 04021BCAX10 Extreme Duty Application	158
Onspot Model 04011HCBCAX10 Extreme Duty Application	160
Onspot Model 04012HCBCAX10 Extreme Duty Application	162
Onspot Model 04601BCAX10 Extreme Duty Application	164
Onspot Model 04602BCAX10 Extreme Duty Application	166
Onspot Model 04612HCBCAX10 Extreme Duty Application	168
Onspot Model 04652HCBCAX10 Extreme Duty Application	170
Mounting Brackets and Hardware.....	174
Onspot Chain Trays	178
Other Repair Kits.....	180
Tools / Promotional / Measurement Sheets / Marketing Brochures	182



HOW TO IDENTIFY YOUR ONSPOT CHAIN UNITS

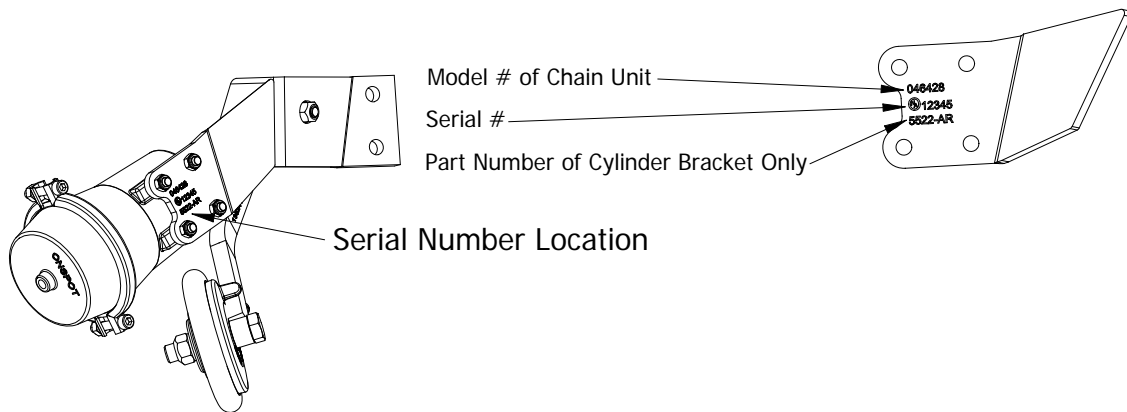
Providing us with your Onspot Model and Serial Numbers will assist in you receiving the proper parts for your chain units.

Your Onspot chain units Model # and Serial # are stamped on the cylinder brackets between the four nuts that attach the air can to the bracket. (See picture below)

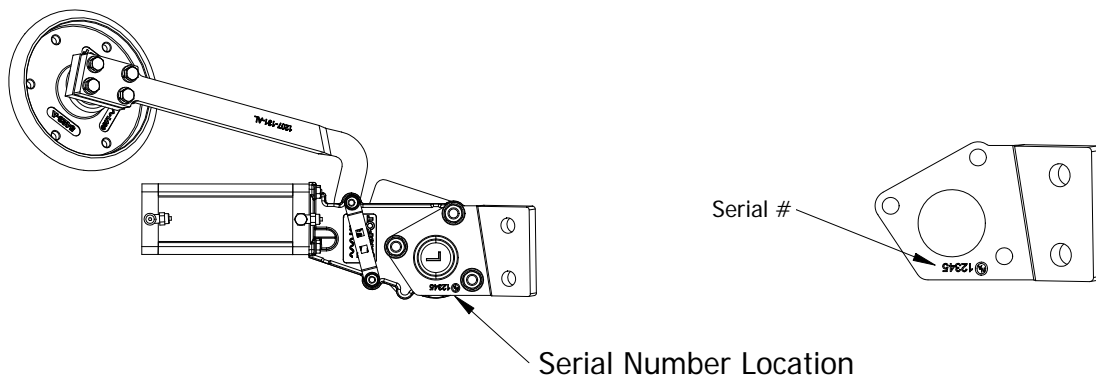
Beginning with serial # 28704 on February 26, 2001, Onspot began stamping the serial number on **BOTH** chain units.

Prior to this, the serial number was only located on one of the units. If your chain units are mounted in front of the axle, the number would be located on the driver side unit. If your chain units are mounted behind the axle, the serial number will be on the passenger side unit.

Standard Models 03, 04, 05



Model 012

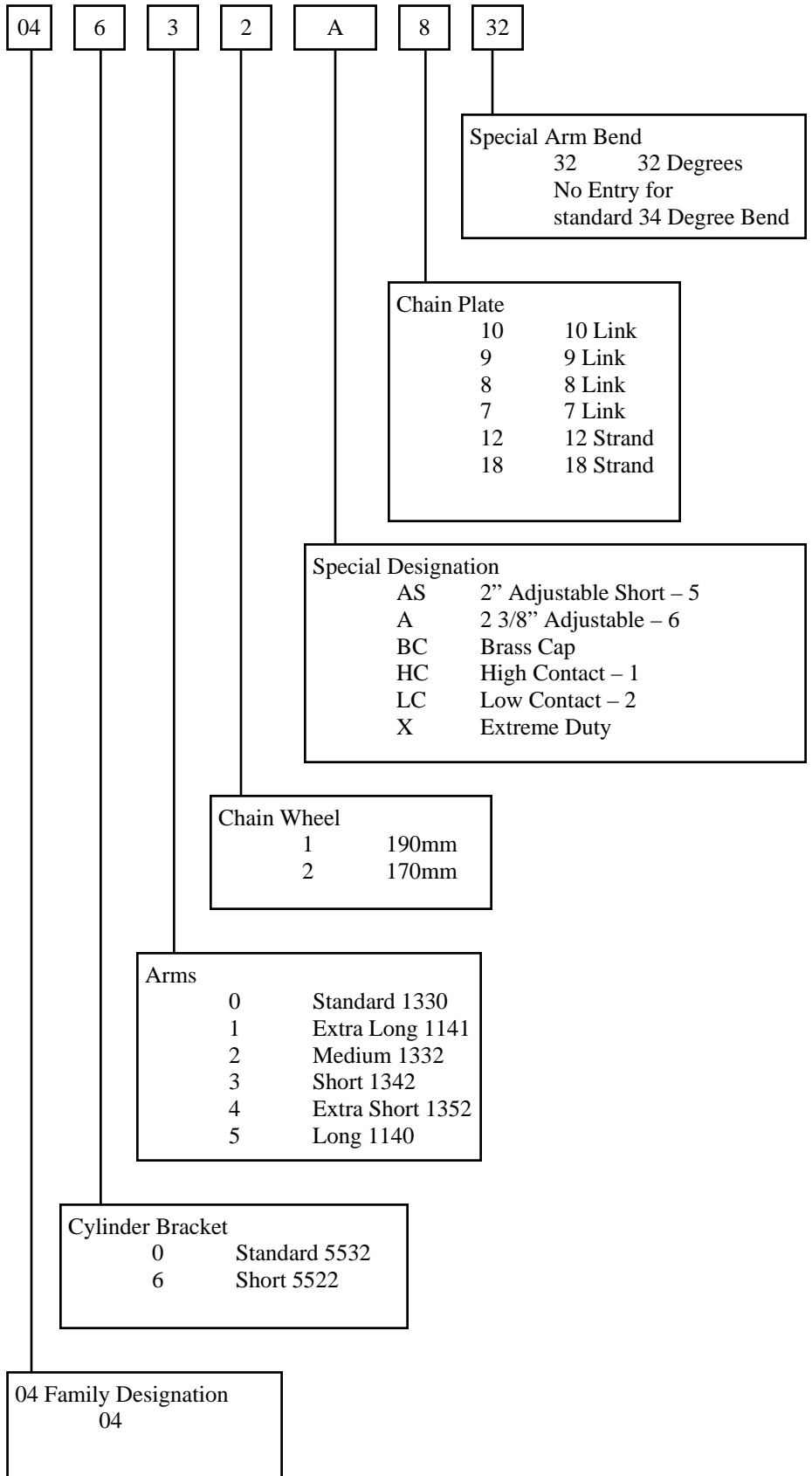




Easy Reference Parts List

0925-AL	Complete Chainwheel Assembly, Left, 190mm Red, Driver Side, w/10 links
0925-AR	Complete Chainwheel Assembly, Right, 190mm Blue, Passenger side w/10 links
0926-A	Chainwheel Helmet, 190mm
0927-AL	Chainplate, Left, 190mm Red, Driver Side, w/10 links w/Hardware
0927-AR	Chainplate, Right, 190mm Blue, Passenger Side, w/10 links w/Hardware
1392-AL-10	Complete Chainwheel Assembly, Left, 170mm Red, Driver Side, w/10 links
1392-AR-10	Complete Chainwheel Assembly, Right, 170mm Blue, Passenger Side, w/10 links
1392-AL-8	Complete Chainwheel Assembly, Left, 170mm Red, Driver Side, w/8 links
1392-AR-8	Complete Chainwheel Assembly, Right, 170mm Blue, Passenger Side, w/8 links
1392-AL-7	Complete Chainwheel Assembly, Left, 170mm Red, Driver Side, w/7 links
1392-AR-7	Complete Chainwheel Assembly, Right, 170mm Blue, Passenger Side, w/7 links
1329-AL-10	Chainplate, Left, 170mm Red, Driver Side, w/10 links, w/Hardware
1329-AR-10	Chainplate, Right, 170mm Blue, Passenger Side, w/10 links, w/Hardware
1329-AL-8	Chainplate, Left, 170mm Red, Driver Side, w/8 links, w/Hardware
1329-AR-8	Chainplate, Right, 170mm Blue, Passenger Side, w/8 links, w/Hardware
1329-AL-7	Chainplate, Left, 170mm Red, Driver Side, w/7 links, w/Hardware
1329-AR-7	Chainplate, Right, 170mm Blue, Passenger Side, w/7 links, w/Hardware
0130-A	Chainwheel Helmet, 170mm
1005-A	Angle Joint (All Models)
1331-A	170mm Wheel w/o Chains, w/Bearings, Snap Ring, and Chainplate Hardware
5423-A	190mm Wheel w/o Chains, w/Bearings, Snap Ring, and Chainplate Hardware
5559-D	Arm Bearing kit, Oilyte Bushing (Model 04)
5560-D	Arm Bearing kit, Oilyte Bushing (Model 05)
5563-A	Chainwheel Bearing kit (All Models)
5564-A	Chainwheel Bolt Kit
9301	Solenoid (All Models)
9004	12 Volt Dashboard Switch (All Models)

1-800-224-2467

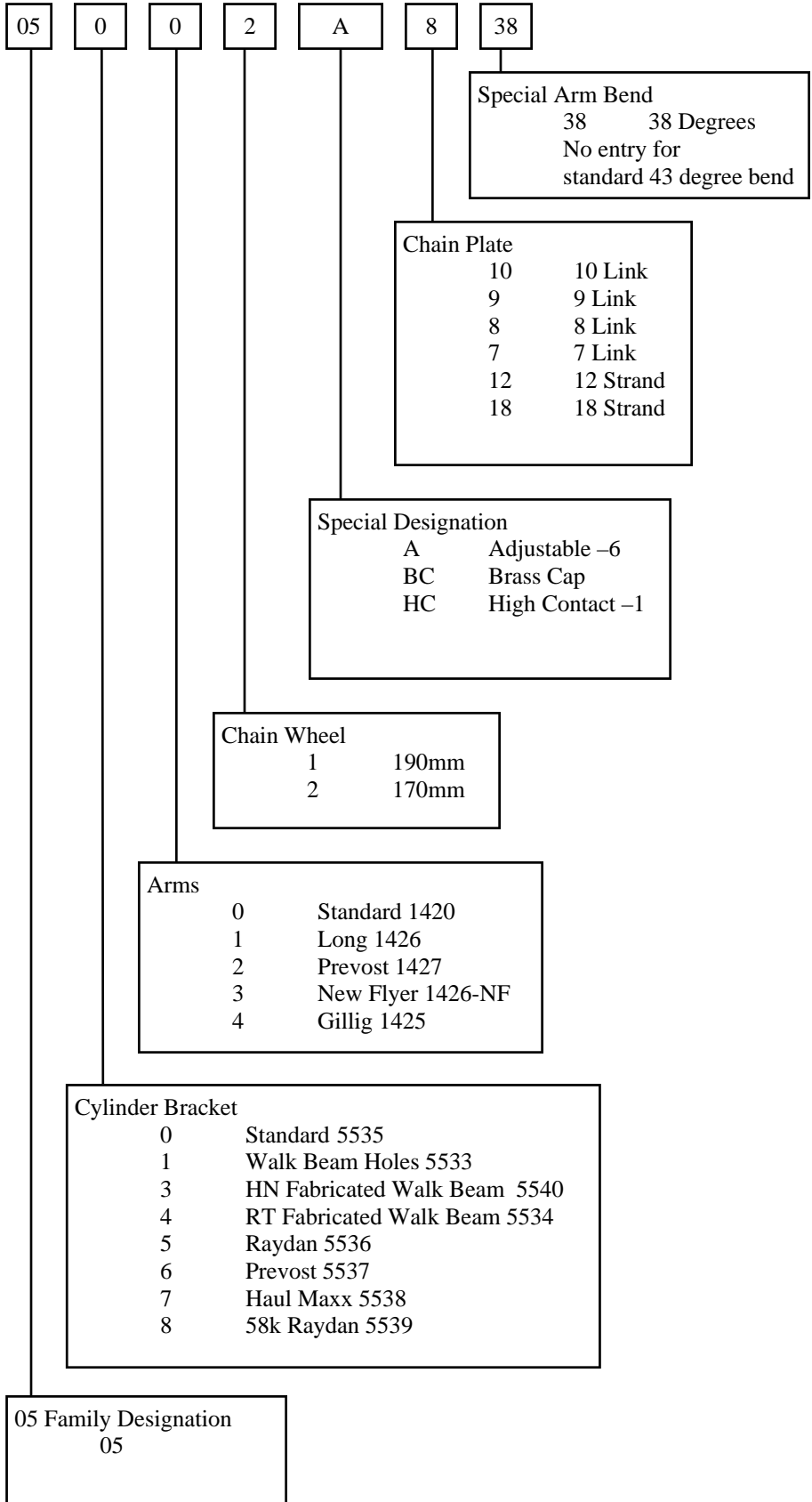


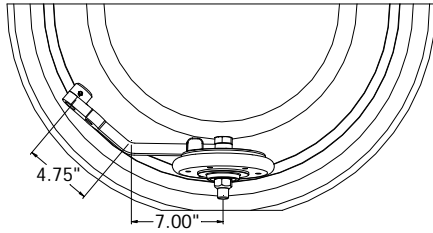


Automatic Tire Chains

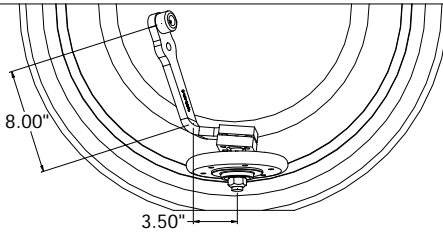
Onspot Model 05 Numbering

09-10-13

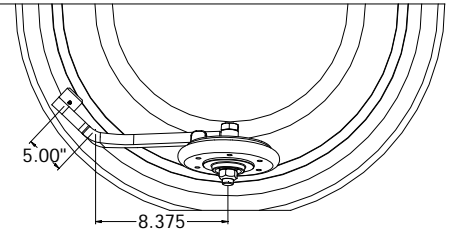




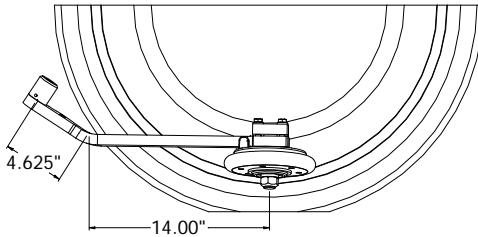
Model 0100110
1142 Arm



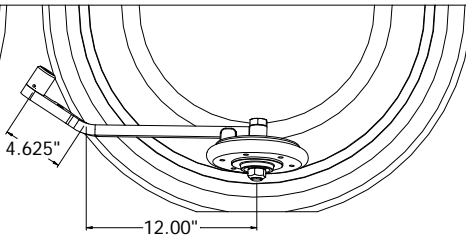
Model 03001A10
1055-6 Arm



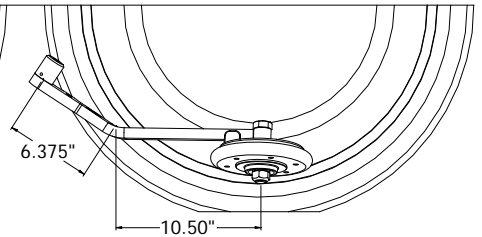
Model 0500110
1420 Arm



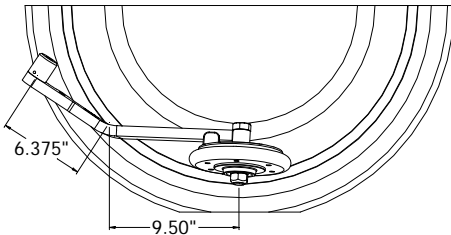
Model 04012HCA10
1141-1-6 Arm



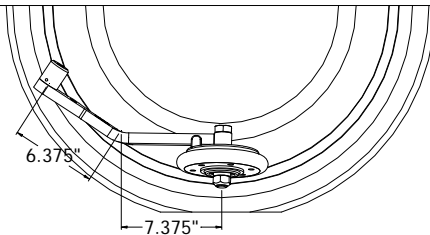
Model 04001HC10
1330-1 Arm



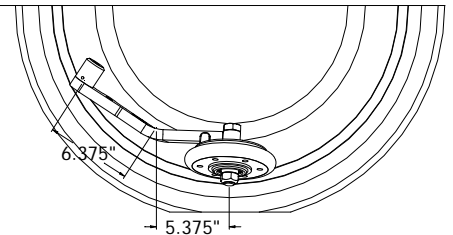
Model 0400110
1330 Arm



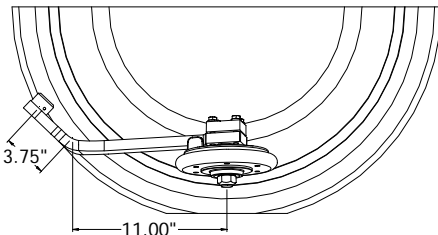
Model 0402110
1332 Arm



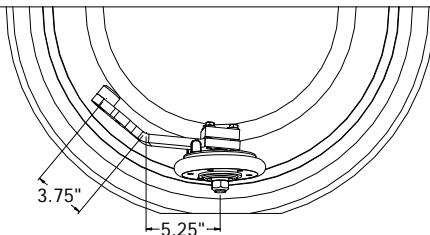
Model 046328
1342 Arm



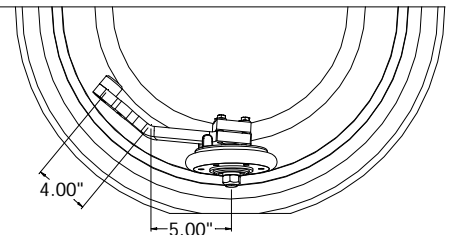
Model 046427
1352 Arm



Model 05412HCA10
1426-15-6 Arm



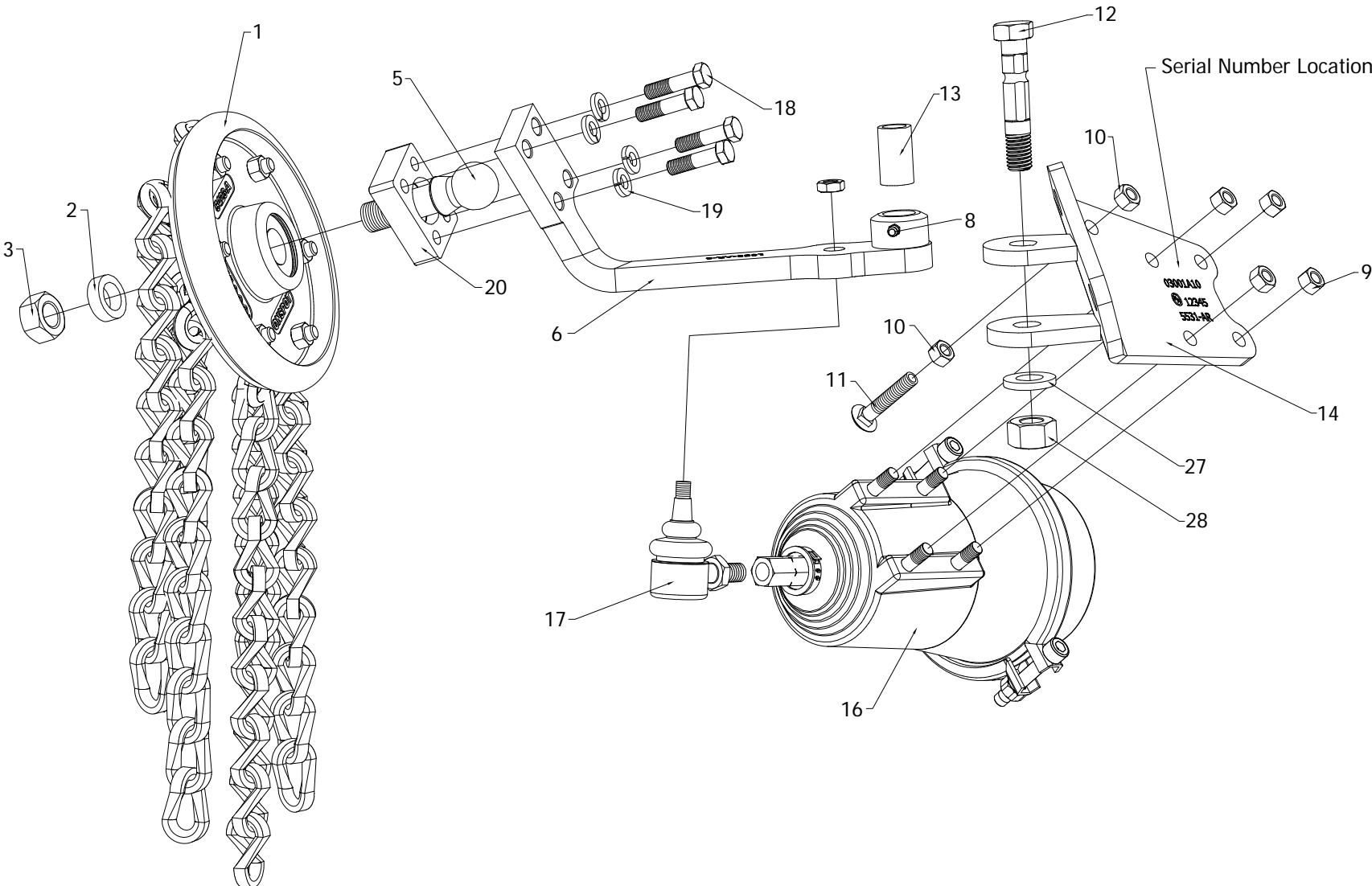
Model M35P2
7133-6 Arm



Model M55P2
7134-6 Arm

Model 03001A10

Right Side Shown





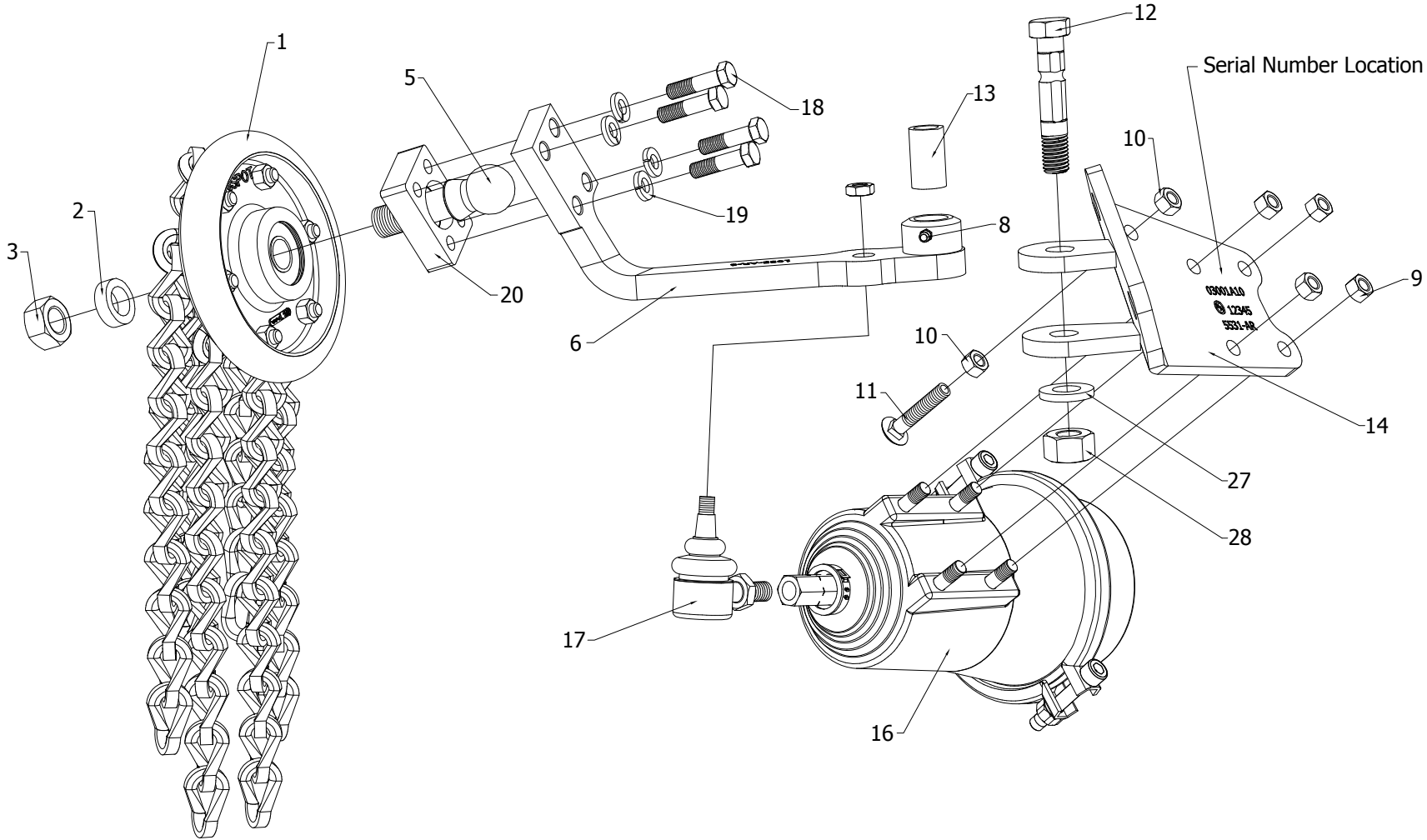
Automatic Tire Chains

Ref. No.	Part Number	Description
1	0925-AR	Complete Chainwheel Right Side (See Page 14: for Chainwheel Components)
	0925-AL	Complete Chainwheel Left Side
2	0450-A	Chainwheel Spacer
3	5211-A	M20 x 2.5 Chainwheel Bolt Nut
5	5262-A	M20 x 2.5 x 2 3/8" Adjustable Chainwheel Bolt
6	1055-AR-6	Arm for Right Side (Ships with items 5, 8, 13, 18, 19, and 20)
	1055-AL-6	Arm for Left Side (Ships with items 5, 8, 13, 18, 19, and 20)
8	1026-A	1/4-28 Zirc Fitting
9	41755	M10 x 1.5 Nylock Nut
10	31203	3/8-16 Nut
11	21821	3/8-16 x 2" Carriage Bolt as Stop Bolt
12	1075-C	5/8-11 x 3 1/4" Arm Bolt
13	5489-A	Brass Sleeve 5/8" ID x 7/8" OD x 1 1/2" Long
14	5531-AR	Cylinder Bracket Right Side
	5531-AL	Cylinder Bracket Left Side
16	1037-C	Complete Cylinder (See Page 164 for Cylinder Components)
17	1005-A	Angle Joint
18	39056	3/8-16 x 1 1/2" Adjustable Arm Retainer Capscrew
19	39727	3/8" Adjustable Arm Lock Washer
20	7131-A	Receiver for Adjustable Arm Bolt
27	39707-A	5/8" Flat Washer
28	36786-A	5/8-11 Grip Nut
	03000A-AR	Complete Right Side Assembly without Chainwheel and Helmet
	03000A-AL	Complete Left Side Assembly without Chainwheel and Helmet
		Chainwheel Bolt Kit Includes
	5568-A	(1) 5262-A M20 x 2.5 x 2 3/8" Adjustable Chainwheel Bolt
		(1) 0450-A Chainwheel Spacer
		(1) 5211-A M20 x 2.5 Chainwheel Bolt Nut
		Arm Sleeve Kit Includes
	5557-B	(1) 1075-C 5/8-11 x 3 1/4" Arm Bolt
		(1) 5489-A Brass Sleeve 5/8" ID x 7/8" OD x 1 1/2" Long
		(1) 39707-A 5/8" Flat Washer
		(1) 36786-A 5/8-11 Grip Nut

NOTE: Right (Passenger) side and Left (Driver) side part numbers apply for chains mounted forward of axle.

Model 03002A10

Right Side Shown





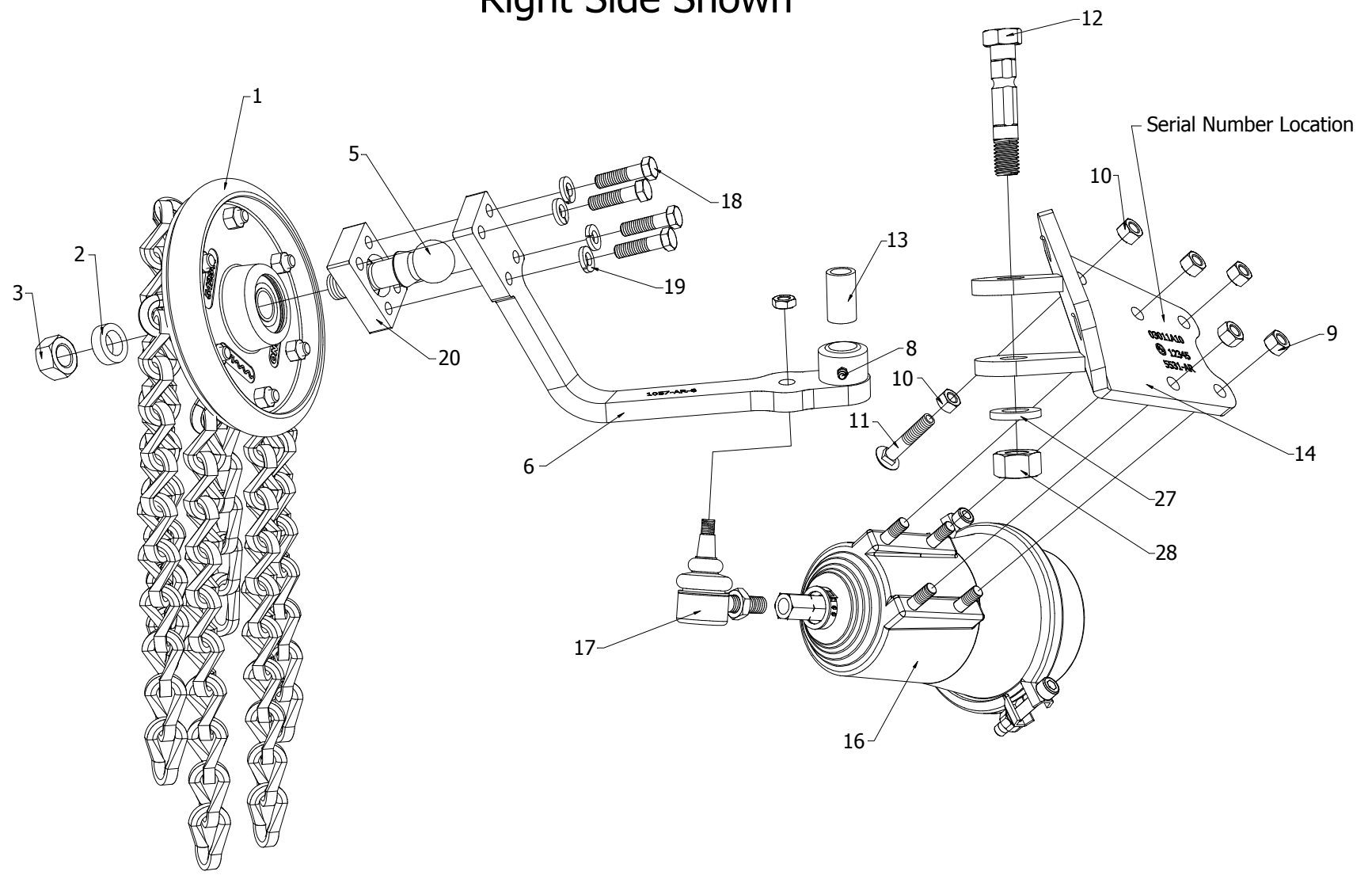
Automatic Tire Chains

Ref. No.	Part Number	Description
1	1392-AR-10	Complete Chainwheel Right Side (See Page 152 for Chainwheel Components)
	1392-AL-10	Complete Chainwheel Left Side
2	0450-A	Chainwheel Spacer
3	5211-A	M20 x 2.5 Chainwheel Bolt Nut
5	5262-A	M20 x 2.5 x 2 3/8" Adjustable Chainwheel Bolt
6	1055-AR-6	Arm for Right Side (Ships with items 5, 8, 13, 18, 19, and 20)
	1055-AL-6	Arm for Left Side (Ships with items 5, 8, 13, 18, 19, and 20)
8	1026-A	1/4-28 Zirc Fitting
9	41755	M10 x 1.5 Nylock Nut
10	31203	3/8-16 Nut
11	21821	3/8-16 x 2" Carriage Bolt as Stop Bolt
12	1075-C	5/8-11 x 3 1/4" Arm Bolt
13	5489-A	Brass Sleeve 5/8" ID x 7/8" OD x 1 1/2" Long
14	5531-AR	Cylinder Bracket Right Side
	5531-AL	Cylinder Bracket Left Side
16	1037-C	Complete Cylinder (See Page 164 for Cylinder Components)
17	1005-A	Angle Joint
18	39056	3/8-16 x 1 1/2" Adjustable Arm Retainer Capscrew
19	39727	3/8" Adjustable Arm Lock Washer
20	7131-A	Receiver for Adjustable Arm Bolt
27	39707-A	5/8" Flat Washer
28	36786-A	5/8-11 Grip Nut
	03000A-AR	Complete Right Side Assembly without Chainwheel and Helmet
	03000A-AL	Complete Left Side Assembly without Chainwheel and Helmet
		Chainwheel Bolt Kit Includes
	5568-A	(1) 5262-A M20 x 2.5 x 2 3/8" Adjustable Chainwheel Bolt
		(1) 0450-A Chainwheel Spacer
		(1) 5211-A M20 x 2.5 Chainwheel Bolt Nut
		Arm Sleeve Kit Includes
	5557-B	(1) 1075-C 5/8-11 x 3 1/4" Arm Bolt
		(1) 5489-A Brass Sleeve 5/8" ID x 7/8" OD x 1 1/2" Long
		(1) 39707-A 5/8" Flat Washer
		(1) 36786-A 5/8-11 Grip Nut

NOTE: Right (Passenger) side and Left (Driver) side part numbers apply for chains mounted forward of axle.

Model 03011A10

Right Side Shown





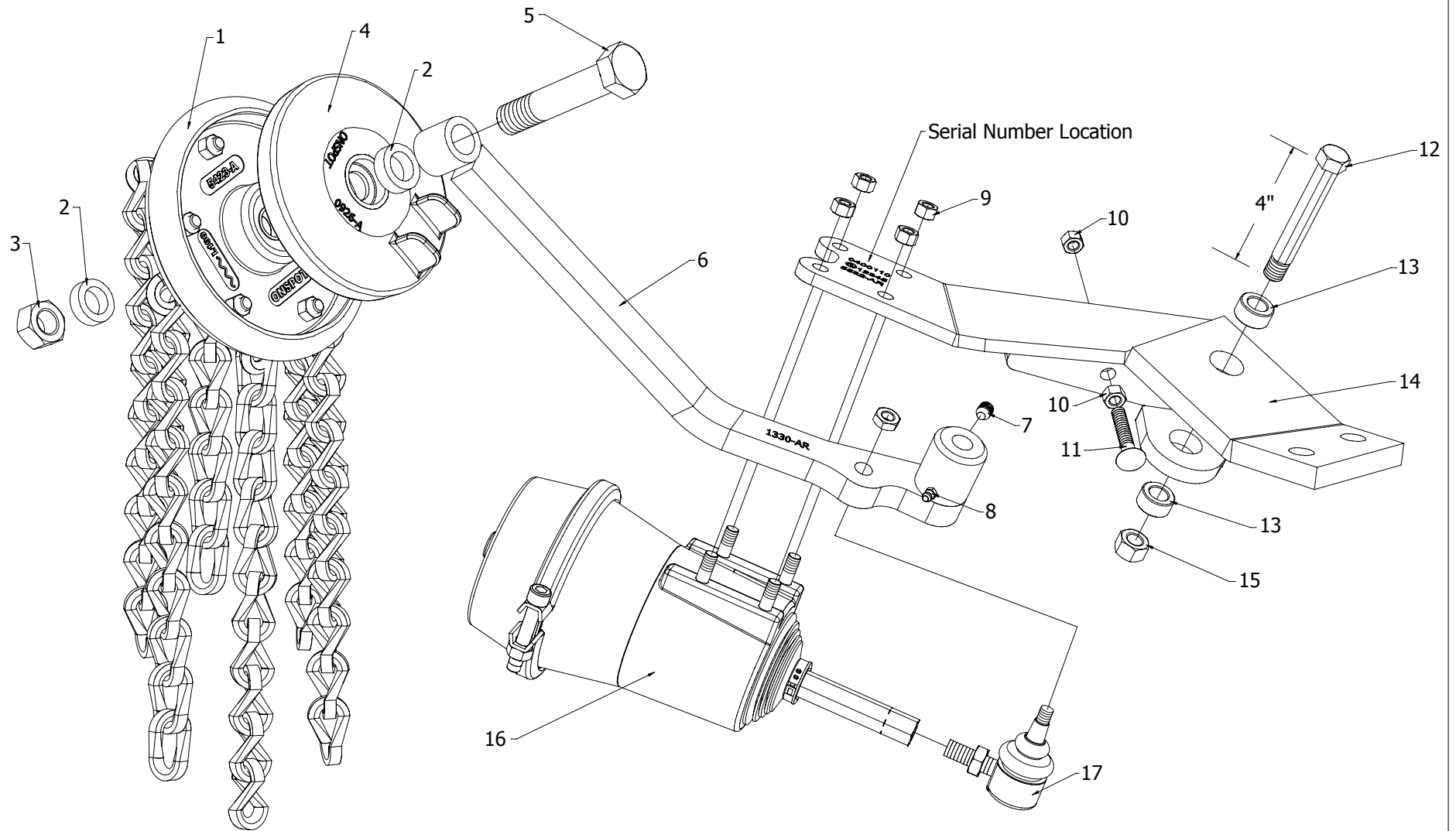
Automatic Tire Chains

Ref. No.	Part Number	Description
1	0925-AR	Complete Chainwheel Right Side (See Page 14: for Chainwheel Components)
	0925-AL	Complete Chainwheel Left Side
2	0450-A	Chainwheel Spacer
3	5211-A	M20 x 2.5 Chainwheel Bolt Nut
5	5262-A	M20 x 2.5 x 2 3/8" Adjustable Chainwheel Bolt
6	1057-AR-6	Arm for Right Side (Ships with items 5, 8, 13, 18, 19, and 20)
	1057-AL-6	Arm for Left Side (Ships with items 5, 8, 13, 18, 19, and 20)
8	1026-A	1/4-28 Zirc Fitting
9	41755	M10 x 1.5 Nylock Nut
10	31203	3/8-16 Nut
11	21821	3/8-16 x 2" Carriage Bolt as Stop Bolt
12	1075-C	5/8-11 x 3 1/4" Arm Bolt
13	5489-A	Brass Sleeve 5/8" ID x 7/8" OD x 1 1/2" Long
14	5531-AR	Cylinder Bracket Right Side
	5531-AL	Cylinder Bracket Left Side
16	1037-C	Complete Cylinder (See Page 164 for Cylinder Components)
17	1005-A	Angle Joint
18	39056	3/8-16 x 1 1/2" Adjustable Arm Retainer Capscrew
19	39727	3/8" Adjustable Arm Lock Washer
20	7131-A	Receiver for Adjustable Arm Bolt
27	39707-A	5/8" Flat Washer
28	36786-A	5/8-11 Grip Nut
	03010A-AR	Complete Right Side Assembly without Chainwheel and Helmet
	03010A-AL	Complete Left Side Assembly without Chainwheel and Helmet
		Chainwheel Bolt Kit Includes
	5568-A	(1) 5262-A M20 x 2.5 x 2 3/8" Adjustable Chainwheel Bolt
		(1) 0450-A Chainwheel Spacer
		(1) 5211-A M20 x 2.5 Chainwheel Bolt Nut
		Arm Sleeve Kit Includes
	5557-B	(1) 1075-C 5/8-11 x 3 1/4" Arm Bolt
		(1) 5489-A Brass Sleeve 5/8" ID x 7/8" OD x 1 1/2" Long
		(1) 39707-A 5/8" Flat Washer
		(1) 36786-A 5/8-11 Grip Nut

NOTE: Right (Passenger) side and Left (Driver) side part numbers apply for chains mounted forward of axle.

Model 0400110

Right Side Shown





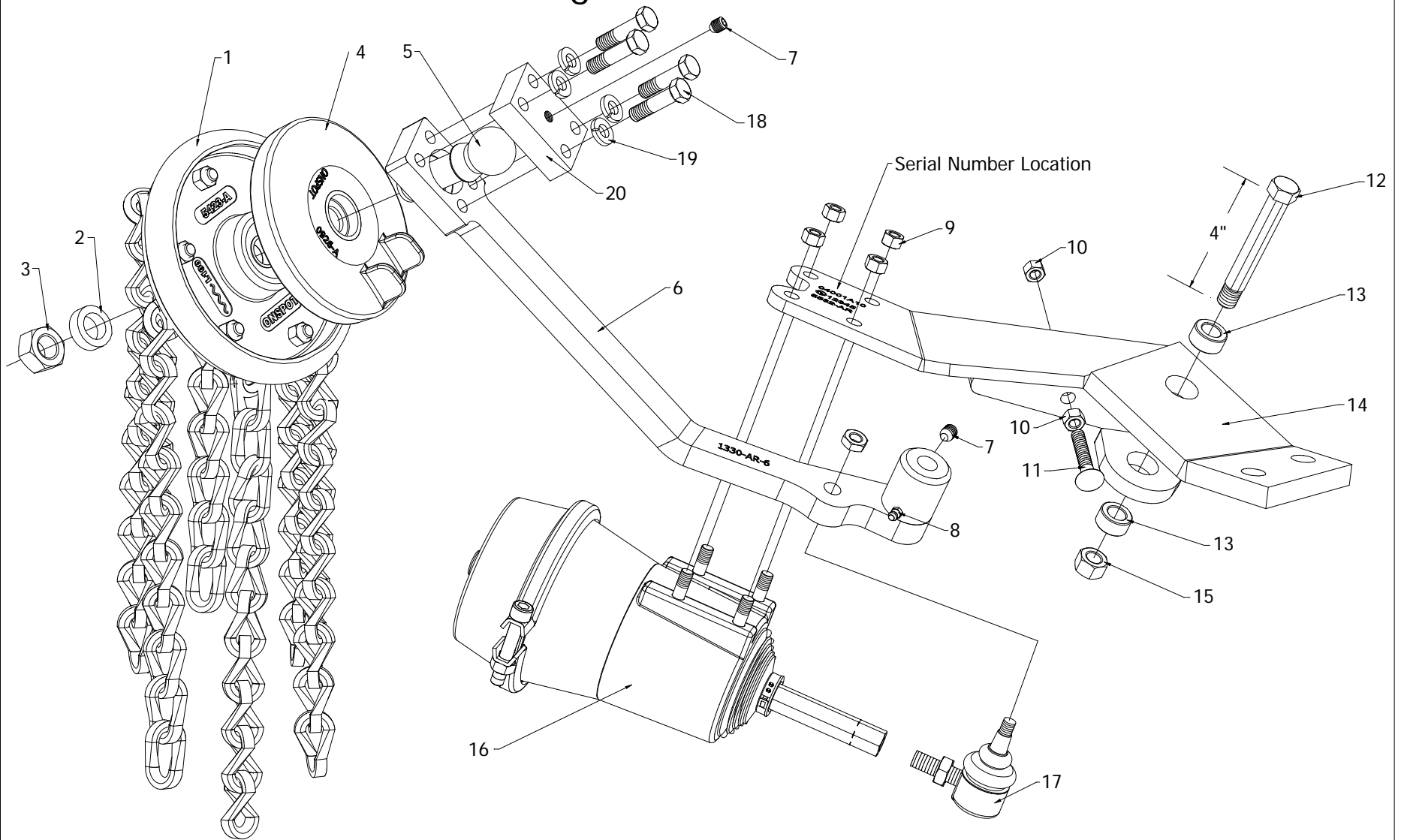
Automatic Tire Chains

Ref. No.	Part Number	Description
1	0925-AR	Complete Chainwheel Right Side (See Page 14: for Chainwheel Components)
	0925-AL	Complete Chainwheel Left Side
4	0926-A	Chainwheel Helmet
2	0450-A	Chainwheel Spacer
3	5211-A	M20 x 2.5 Chainwheel Bolt Nut
5	5222-A	M20 x 2.5 x 100mm Chainwheel Bolt
6	1330-AR	Arm for Right Side
	1330-AL	Arm for Left Side
7	1078-A	3/8-24 x 1/2" Set Screw
8	1026-A	1/4-28 Zinc Fitting
9	41755	M10 x 1.5 Nylock Nut
10	31203	3/8-16 Nut
11	21821	3/8-16 x 2" Carriage Bolt as Stop Bolt
12	1077-B	Arm Bolt 4" Length
13	5487-A	Oilyte Bushing (2 per Cylinder Bracket)
14	5532-AR	Cylinder Bracket Right Side (Ships with Oilyte Bushing Installed)
	5532-AL	Cylinder Bracket Left Side
15	5365-A	M14 x 2.0 Arm Bolt Grip Nut
16	1037-B	Complete Cylinder (See Page 162 for Cylinder Components)
17	1005-A	Angle Joint
	04000-AR	Complete Right Side Assembly without Chainwheel and Helmet
	04000-AL	Complete Left Side Assembly without Chainwheel and Helmet
		Chainwheel Bolt Kit Includes
	5564-A	(1) 5222-A M20 x 2.5 x 100mm Chainwheel Bolt
		(2) 0450-A Chainwheel Spacer
		(1) 5211-A M20 x 2.5 Chainwheel Bolt Nut
		Arm Bearing Kit Includes
	5559-D	(1) 1077-B Arm Bolt 4" Length
		(1) 1078-A 3/8-24 x 1/2" Set Screw
		(2) 5487-A Oilyte Bushing
		(1) 5365-A M14 x 2.0 Arm Bolt Grip Nut

NOTE: Right (Passenger) side and Left (Driver) side part numbers apply for chains mounted forward of axle.

Model 04001A10

Right Side Shown





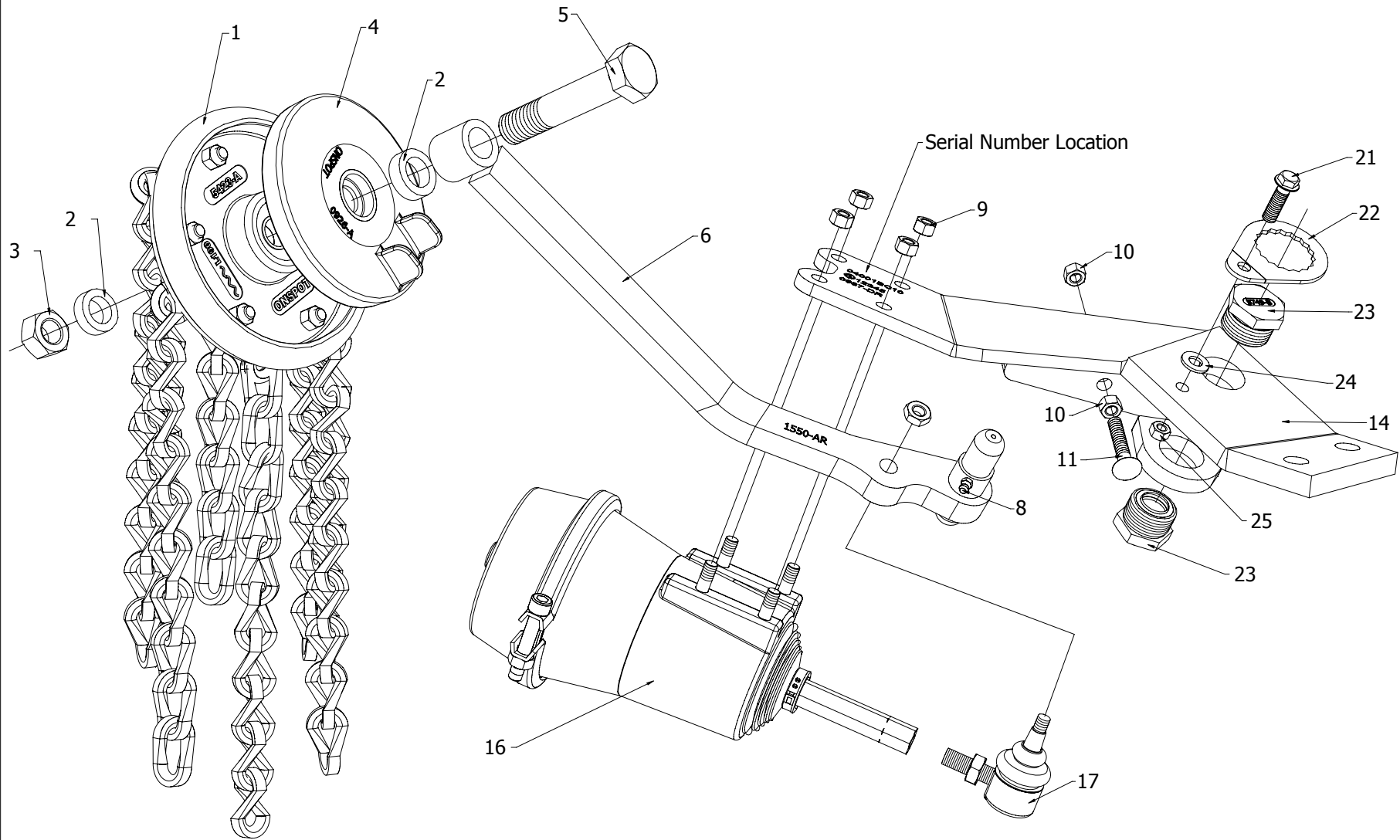
Automatic Tire Chains

Ref. No.	Part Number	Description
1	0925-AR	Complete Chainwheel Right Side (See Page 12: for Chainwheel Components)
	0925-AL	Complete Chainwheel Left Side
4	0926-A	Chainwheel Helmet
2	0450-A	Chainwheel Spacer
3	5211-A	M20 x 2.5 Chainwheel Bolt Nut
5	5262-A	M20 x 2.5 x 2 3/8" Adjustable Chainwheel Bolt
6	1330-AR-6	Arm for Right Side (Ships with Items 2, 3, 5, 7, 8, 18, 19, and 20)
	1330-AL-6	Arm for Left Side (Ships with Items 2, 3, 5, 7, 8, 18, 19, and 20)
7	1078-A	3/8-24 x 1/2" Set Screw
8	1026-A	1/4-28 Zinc Fitting
9	41755	M10 x 1.5 Nylock Nut
10	31203	3/8-16 Nut
11	21821	3/8-16 x 2" Carriage Bolt as Stop Bolt
12	1077-B	Arm Bolt 4" Length
13	5487-A	Oilyte Bushing (2 per Cylinder Bracket)
14	5532-AR	Cylinder Bracket Right Side (Ships with Oilyte Bushing Installed)
	5532-AL	Cylinder Bracket Left Side
15	5365-A	M14 x 2.0 Arm Bolt Grip Nut
16	1037-B	Complete Cylinder (See Page 162 for Cylinder Components)
17	1005-A	Angle Joint
18	39056	3/8-16 x 1 1/2" Adjustable Arm Retainer Capscrew
19	39727	3/8" Adjustable Arm Lock Washer
20	7132-B	Retainer for Adjustable Arm Bolt
	04000A-AR	Complete Right Side Assembly without Chainwheel and Helmet
	04000A-AL	Complete Left Side Assembly without Chainwheel and Helmet
		Chainwheel Bolt Kit Includes
	5568-A	(1) 5262-A M20 x 2.5 x 2 3/8" Adjustable Chainwheel Bolt
		(1) 0450-A Chainwheel Spacer
		(1) 5211-A M20 x 2.5 Chainwheel Bolt Nut
		Arm Bearing Kit Includes
	5559-D	(1) 1077-B Arm Bolt 4" Length
		(1) 1078-A 3/8-24 x 1/2" Set Screw
		(2) 5487-A Oilyte Bushing
		(1) 5365-A M14 x 2.0 Arm Bolt Grip Nut

NOTE: Right (Passenger) side and Left (Driver) side part numbers apply for chains mounted forward of axle.

Model 04001BC10

Right Side Shown





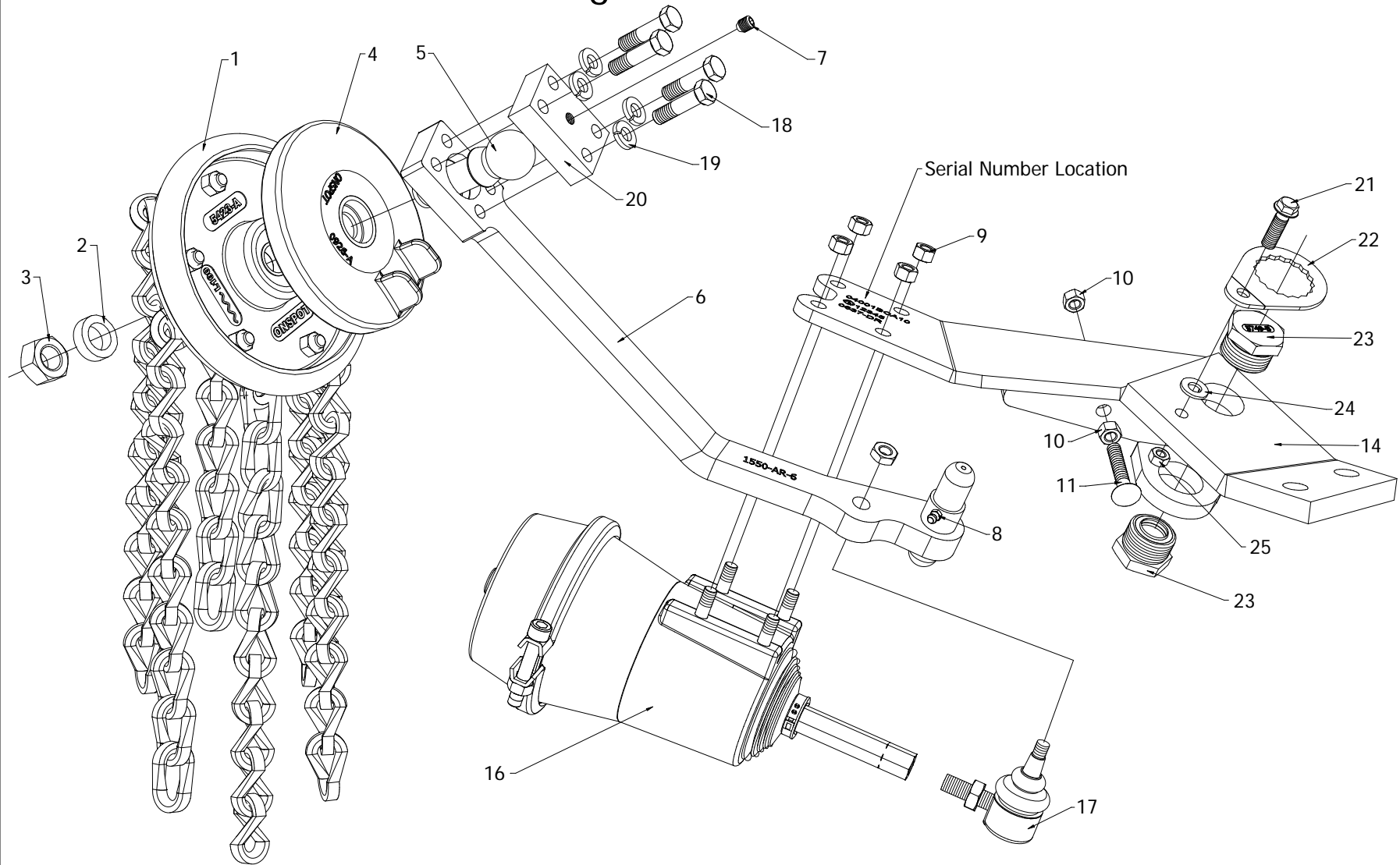
Automatic Tire Chains

Ref. No.	Part Number	Description
1	0925-AR	Complete Chainwheel Right Side (See Page 12: for Chainwheel Components)
	0925-AL	Complete Chainwheel Left Side
4	0926-A	Chainwheel Helmet
2	0450-A	Chainwheel Spacer
3	5211-A	M20 x 2.5 Chainwheel Bolt Nut
5	5222-A	M20 x 2.5 x 100mm Chainwheel Bolt
6	1550-AR	Arm for Right Side
	1550-AL	Arm for Left Side
8	1026-A	1/4-28 Zirc Fitting
9	41755	M10 x 1.5 Nylock Nut
10	31203	3/8-16 Nut
11	21821	3/8-16 x 2" Carriage Bolt as Stop Bolt
14	0637-DR	Cylinder Bracket Right Side (Ships without Brass Caps)
	0637-DL	Cylinder Bracket Left Side
16	1037-B	Complete Cylinder (See Page 162 for Cylinder Components)
17	1005-A	Angle Joint
21	19657	5/16-18 x 1 1/4" Serrated Flange Head Bolt
22	5750-A	Brass Cap Holder
23	5749-B	Arm Pivot Brass Cap
24	33815	3/8" Flat Washer
25	37262	5/16-18 Top Lock Nut
	04000BC-AR	Complete Right Side Assembly without Chainwheel and Helmet
	04000BC-AL	Complete Left Side Assembly without Chainwheel and Helmet
		Chainwheel Bolt Kit Includes
	5564-A	(1) 5222-A M20 x 2.5 x 100mm Chainwheel Bolt
		(2) 0450-A Chainwheel Spacer
		(1) 5211-A M20 x 2.5 Chainwheel Bolt Nut
		Hex Brass Cap Holder Kit Includes
	5570-A	(1) 5750-A Brass Cap Holder
		(1) 19657 5/16-18 x 1 1/4" Serrated Flange Head Bolt
		(1) 33815 3/8" Flat Washer
		(1) 37262 5/16-18 Top Lock Nut

NOTE: Right (Passenger) side and Left (Driver) side part numbers apply for chains mounted forward of axle.

Model 04001BCA10

Right Side Shown





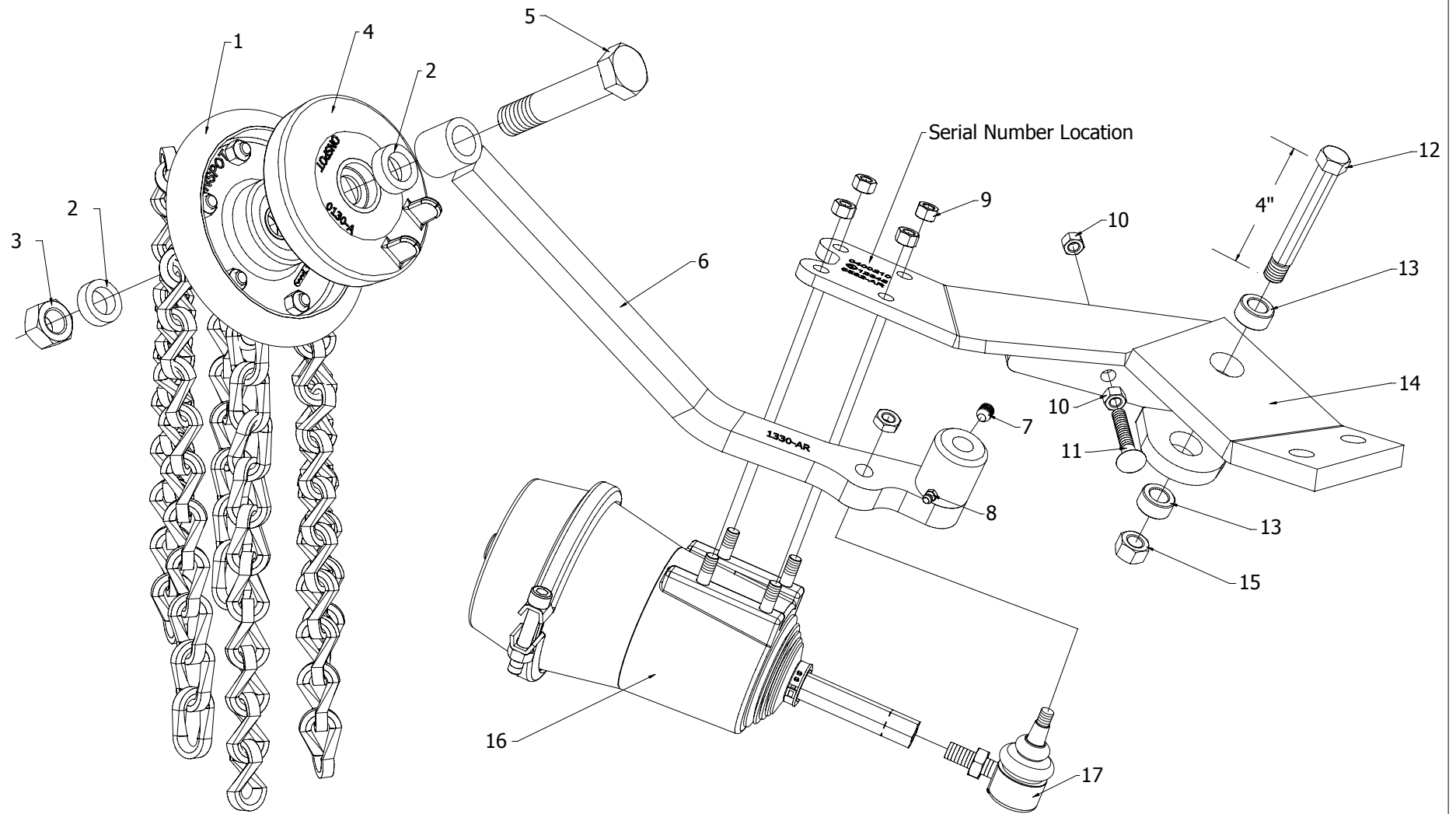
Automatic Tire Chains

Ref. No.	Part Number	Description
1	0925-AR	Complete Chainwheel Right Side (See Page 12: for Chainwheel Components)
	0925-AL	Complete Chainwheel Left Side
4	0926-A	Chainwheel Helmet
2	0450-A	Chainwheel Spacer
3	5211-A	M20 x 2.5 Chainwheel Bolt Nut
5	5262-A	M20 x 2.5 x 2 3/8" Adjustable Chainwheel Bolt
6	1550-AR-6	Arm for Right Side (Ships with Items 2, 3, 5, 7, 8, 18, 19, and 20)
	1550-AL-6	Arm for Left Side (Ships with Items 2, 3, 5, 7, 8, 18, 19, and 20)
7	1078-A	3/8-24 x 1/2" Set Screw
8	1026-A	1/4-28 Zinc Fitting
9	41755	M10 x 1.5 Nylock Nut
10	31203	3/8-16 Nut
11	21821	3/8-16 x 2" Carriage Bolt as Stop Bolt
14	0637-DR	Cylinder Bracket Right Side (Ships without Brass Caps)
	0637-DL	Cylinder Bracket Left Side
16	1037-B	Complete Cylinder (See Page 162 for Cylinder Components)
17	1005-A	Angle Joint
18	39056	3/8-16 x 1 1/2" Adjustable Arm Retainer Capscrew
19	39727	3/8" Adjustable Arm Lock Washer
20	7132-B	Retainer for Adjustable Arm Bolt
21	19657	5/16-18 x 1 1/4" Serrated Flange Head Bolt
22	5750-A	Brass Cap Holder
23	5749-B	Arm Pivot Brass Cap
24	33815	3/8" Flat Washer
25	37262	5/16-18 Top Lock Nut
	04001BCA-AR	Complete Right Side Assembly without Chainwheel and Helmet
	04001BCA-AL	Complete Left Side Assembly without Chainwheel and Helmet
		Chainwheel Bolt Kit Includes
	5568-A	(1) 5262-A M20 x 2.5 x 2 3/8" Adjustable Chainwheel Bolt
		(1) 0450-A Chainwheel Spacer
		(1) 5211-A M20 x 2.5 Chainwheel Bolt Nut
		Hex Brass Cap Holder Kit Includes
	5570-A	(1) 5750-A Brass Cap Holder
		(1) 19657 5/16-18 x 1 1/4" Serrated Flange Head Bolt
		(1) 33815 3/8" Flat Washer
		(1) 37262 5/16-18 Top Lock Nut

NOTE: Right (Passenger) side and Left (Driver) side part numbers apply for chains mounted forward of axle.

Model 0400210

Right Side Shown





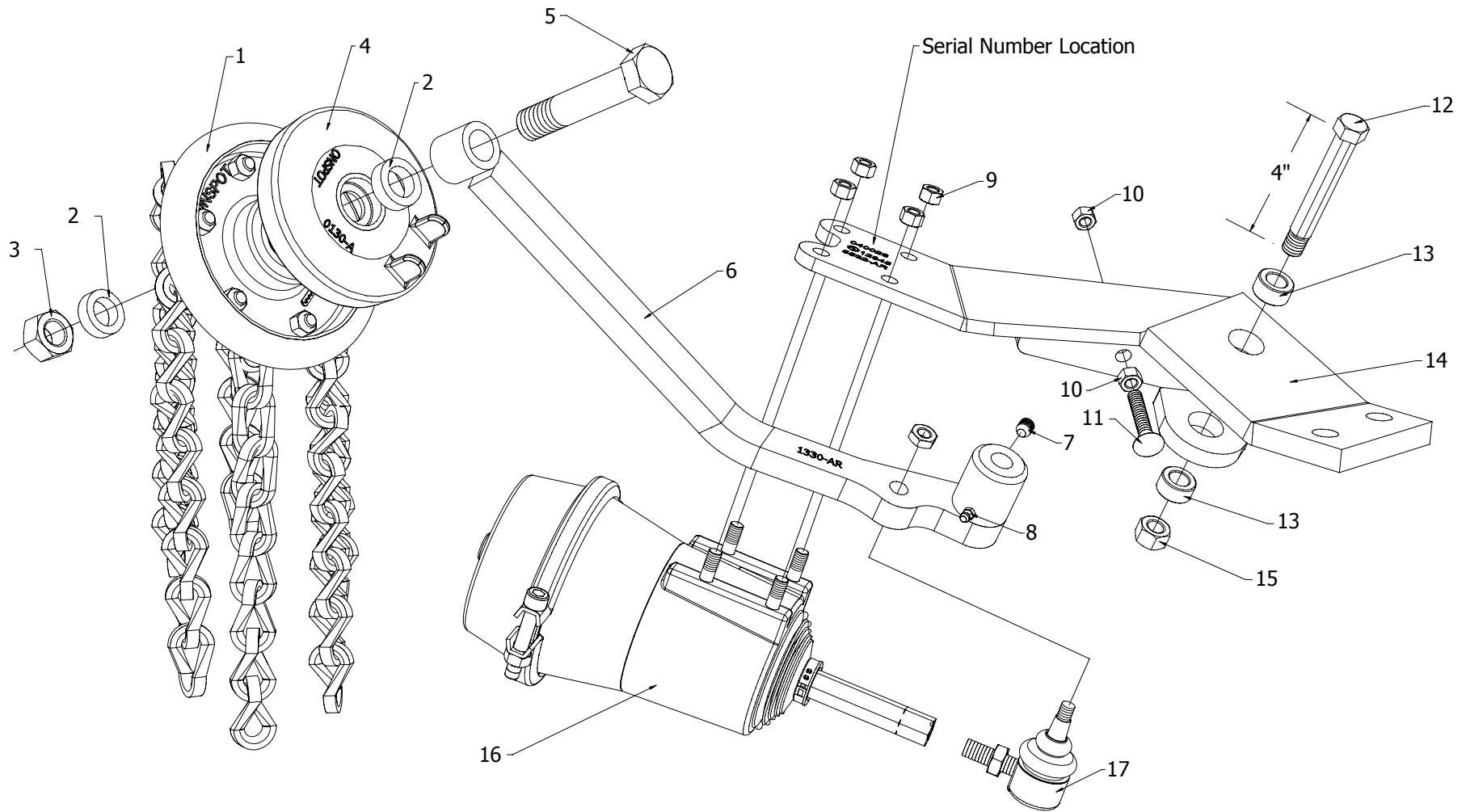
Automatic Tire Chains

Ref. No.	Part Number	Description
1	1392-AR-10	Complete Chainwheel Right Side (See Page 152 for Chainwheel Components)
	1392-AL-10	Complete Chainwheel Left Side
4	0130-A	Chainwheel Helmet
2	0450-A	Chainwheel Spacer
3	5211-A	M20 x 2.5 Chainwheel Bolt Nut
5	5222-A	M20 x 2.5 x 100mm Chainwheel Bolt
6	1330-AR	Arm for Right Side
	1330-AL	Arm for Left Side
7	1078-A	3/8-24 x 1/2" Set Screw
8	1026-A	1/4-28 Zinc Fitting
9	41755	M10 x 1.5 Nylock Nut
10	31203	3/8-16 Nut
11	21821	3/8-16 x 2" Carriage Bolt as Stop Bolt
12	1077-B	Arm Bolt 4" Length
13	5487-A	Oilyte Bushing (2 per Cylinder Bracket)
14	5532-AR	Cylinder Bracket Right Side (Ships with Oilyte Bushing Installed)
	5532-AL	Cylinder Bracket Left Side
15	5365-A	M14 x 2.0 Arm Bolt Grip Nut
16	1037-B	Complete Cylinder (See Page 162 for Cylinder Components)
17	1005-A	Angle Joint
	04000-AR	Complete Right Side Assembly without Chainwheel and Helmet
	04000-AL	Complete Left Side Assembly without Chainwheel and Helmet
		Chainwheel Bolt Kit Includes
	5564-A	(1) 5222-A M20 x 2.5 x 100mm Chainwheel Bolt
		(2) 0450-A Chainwheel Spacer
		(1) 5211-A M20 x 2.5 Chainwheel Bolt Nut
		Arm Bearing Kit Includes
	5559-D	(1) 1077-B Arm Bolt 4" Length
		(1) 1078-A 3/8-24 x 1/2" Set Screw
		(2) 5487-A Oilyte Bushing
		(1) 5365-A M14 x 2.0 Arm Bolt Grip Nut

NOTE: Right (Passenger) side and Left (Driver) side part numbers apply for chains mounted forward of axle.

Model 040028

Right Side Shown





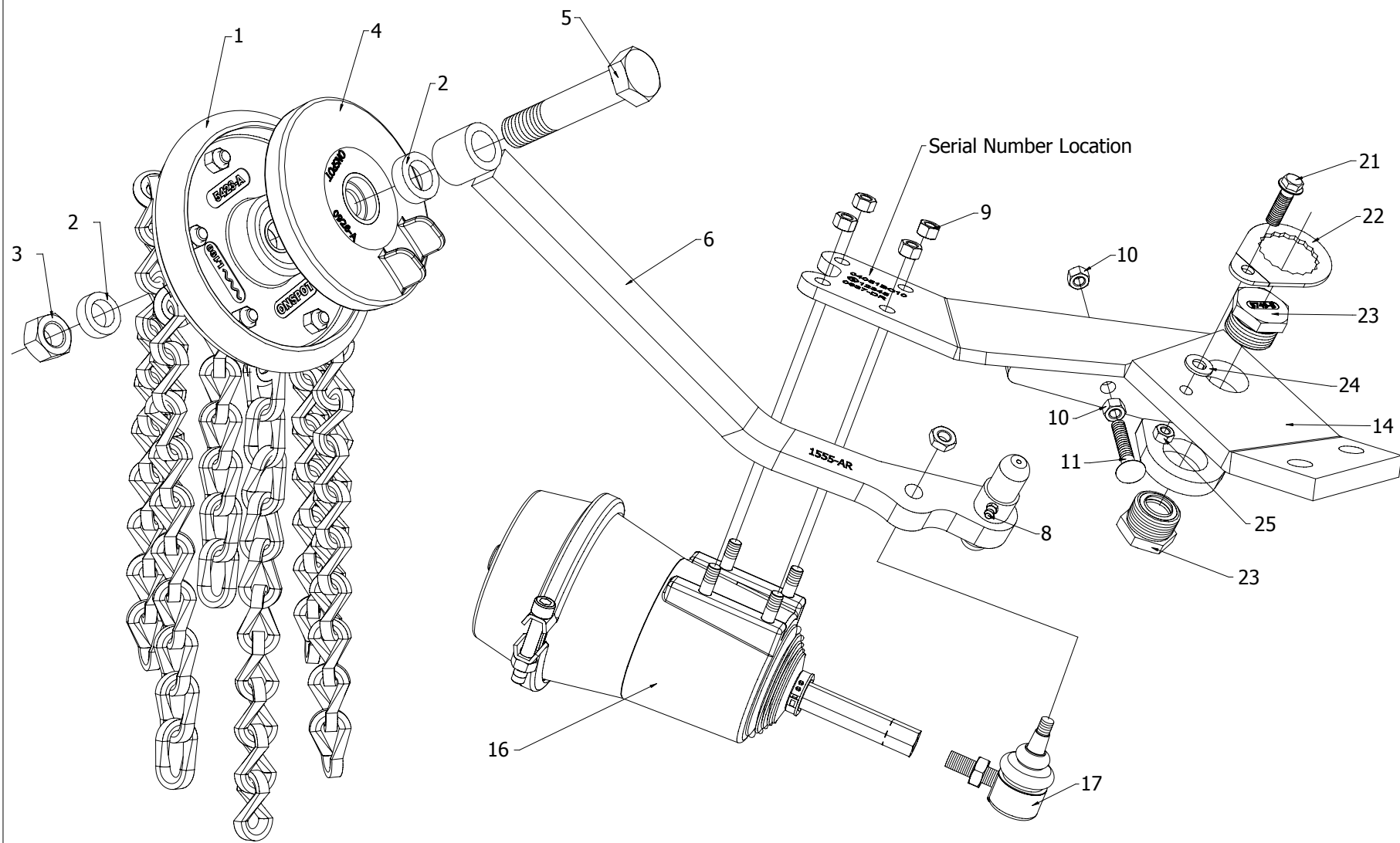
Automatic Tire Chains

Ref. No.	Part Number	Description
1	1392-AR-8	Complete Chainwheel Right Side (See Page 152 for Chainwheel Components)
	1392-AL-8	Complete Chainwheel Left Side
4	0130-A	Chainwheel Helmet
2	0450-A	Chainwheel Spacer
3	5211-A	M20 x 2.5 Chainwheel Bolt Nut
5	5222-A	M20 x 2.5 x 100mm Chainwheel Bolt
6	1330-AR	Arm for Right Side
	1330-AL	Arm for Left Side
7	1078-A	3/8-24 x 1/2" Set Screw
8	1026-A	1/4-28 Zinc Fitting
9	41755	M10 x 1.5 Nylock Nut
10	31203	3/8-16 Nut
11	21821	3/8-16 x 2" Carriage Bolt as Stop Bolt
12	1077-B	Arm Bolt 4" Length
13	5487-A	Oilyte Bushing (2 per Cylinder Bracket)
14	5532-AR	Cylinder Bracket Right Side (Ships with Oilyte Bushing Installed)
	5532-AL	Cylinder Bracket Left Side
15	5365-A	M14 x 2.0 Arm Bolt Grip Nut
16	1037-B	Complete Cylinder (See Page 162 for Cylinder Components)
17	1005-A	Angle Joint
	04000-AR	Complete Right Side Assembly without Chainwheel and Helmet
	04000-AL	Complete Left Side Assembly without Chainwheel and Helmet
		Chainwheel Bolt Kit Includes
	5564-A	(1) 5222-A M20 x 2.5 x 100mm Chainwheel Bolt
		(2) 0450-A Chainwheel Spacer
		(1) 5211-A M20 x 2.5 Chainwheel Bolt Nut
		Arm Bearing Kit Includes
	5559-D	(1) 1077-B Arm Bolt 4" Length
		(1) 1078-A 3/8-24 x 1/2" Set Screw
		(2) 5487-A Oilyte Bushing
		(1) 5365-A M14 x 2.0 Arm Bolt Grip Nut

NOTE: Right (Passenger) side and Left (Driver) side part numbers apply for chains mounted forward of axle.

Model 04051BC10

Right Side Shown





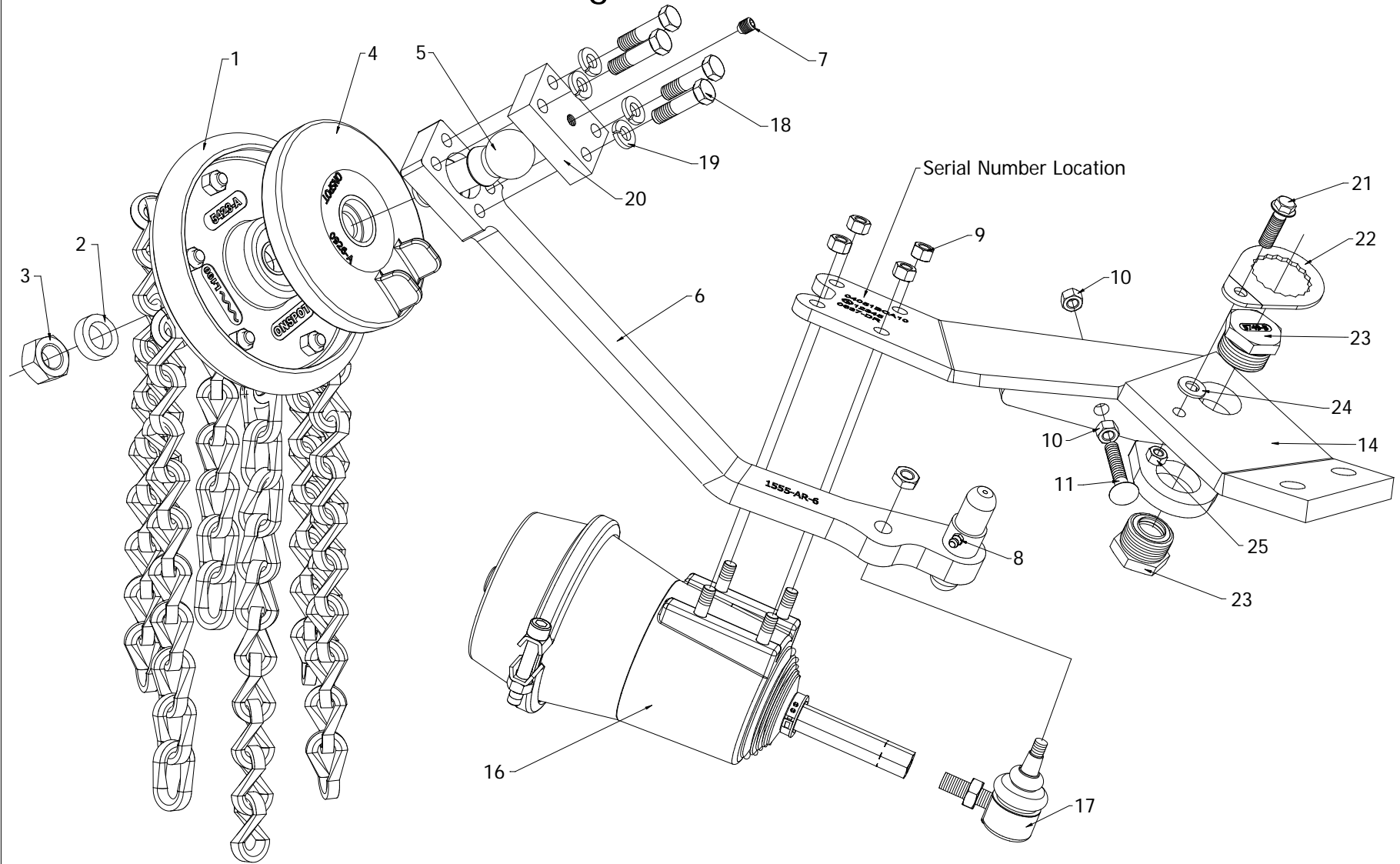
Automatic Tire Chains

Ref. No.	Part Number	Description
1	0925-AR	Complete Chainwheel Right Side (See Page 14: for Chainwheel Components)
	0925-AL	Complete Chainwheel Left Side
4	0926-A	Chainwheel Helmet
2	0450-A	Chainwheel Spacer
3	5211-A	M20 x 2.5 Chainwheel Bolt Nut
5	5222-A	M20 x 2.5 x 100mm Chainwheel Bolt
6	1555-AR	Arm for Right Side
	1555-AL	Arm for Left Side
8	1026-A	1/4-28 Zirc Fitting
9	41755	M10 x 1.5 Nylock Nut
10	31203	3/8-16 Nut
11	21821	3/8-16 x 2" Carriage Bolt as Stop Bolt
14	0637-DR	Cylinder Bracket Right Side (Ships without Brass Caps)
	0637-DL	Cylinder Bracket Left Side
16	1037-B	Complete Cylinder (See Page 162 for Cylinder Components)
17	1005-A	Angle Joint
21	19657	5/16-18 x 1 1/4" Serrated Flange Head Bolt
22	5750-A	Brass Cap Holder
23	5749-B	Arm Pivot Brass Cap
24	33815	3/8" Flat Washer
25	37262	5/16-18 Top Lock Nut
	04050BC-AR	Complete Right Side Assembly without Chainwheel and Helmet
	04050BC-AL	Complete Left Side Assembly without Chainwheel and Helmet
		Chainwheel Bolt Kit Includes
	5564-A	(1) 5222-A M20 x 2.5 x 100mm Chainwheel Bolt
		(2) 0450-A Chainwheel Spacer
		(1) 5211-A M20 x 2.5 Chainwheel Bolt Nut
		Hex Brass Cap Holder Kit Includes
	5570-A	(1) 5750-A Brass Cap Holder
		(1) 19657 5/16-18 x 1 1/4" Serrated Flange Head Bolt
		(1) 33815 3/8" Flat Washer
		(1) 37262 5/16-18 Top Lock Nut

NOTE: Right (Passenger) side and Left (Driver) side part numbers apply for chains mounted forward of axle.

Model 04051BCA10

Right Side Shown





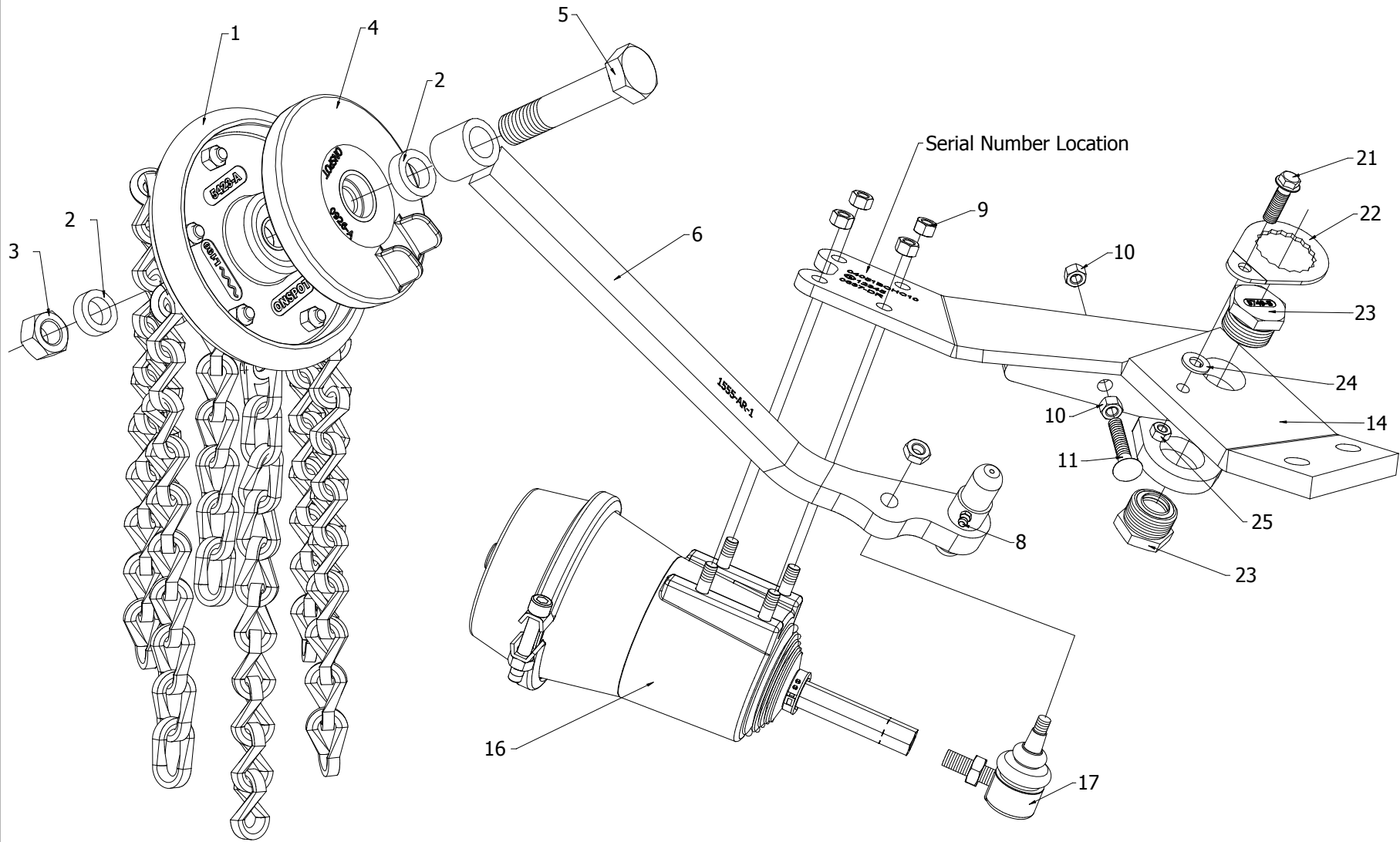
Automatic Tire Chains

Ref. No.	Part Number	Description
1	0925-AR	Complete Chainwheel Right Side (See Page 12: for Chainwheel Components)
	0925-AL	Complete Chainwheel Left Side
4	0926-A	Chainwheel Helmet
2	0450-A	Chainwheel Spacer
3	5211-A	M20 x 2.5 Chainwheel Bolt Nut
5	5262-A	M20 x 2.5 x 2 3/8" Adjustable Chainwheel Bolt
6	1555-AR-6	Arm for Right Side (Ships with Items 2, 3, 5, 7, 8, 18, 19, and 20)
	1555-AL-6	Arm for Left Side (Ships with Items 2, 3, 5, 7, 8, 18, 19, and 20)
7	1078-A	3/8-24 x 1/2" Set Screw
8	1026-A	1/4-28 Zinc Fitting
9	41755	M10 x 1.5 Nylock Nut
10	31203	3/8-16 Nut
11	21821	3/8-16 x 2" Carriage Bolt as Stop Bolt
14	0637-DR	Cylinder Bracket Right Side (Ships without Brass Caps)
	0637-DL	Cylinder Bracket Left Side
16	1037-B	Complete Cylinder (See Page 162 for Cylinder Components)
17	1005-A	Angle Joint
18	39056	3/8-16 x 1 1/2" Adjustable Arm Retainer Capscrew
19	39727	3/8" Adjustable Arm Lock Washer
20	7132-B	Retainer for Adjustable Arm Bolt
21	19657	5/16-18 x 1 1/4" Serrated Flange Head Bolt
22	5750-B	Brass Cap Holder
23	5749-B	Arm Pivot Brass Cap
24	33815	3/8" Flat Washer
25	37262	5/16-18 Top Lock Nut
	04050BCA-AR	Complete Right Side Assembly without Chainwheel and Helmet
	04050BCA-AL	Complete Left Side Assembly without Chainwheel and Helmet
		Chainwheel Bolt Kit Includes
	5568-A	(1) 5262-A M20 x 2.5 x 2 3/8" Adjustable Chainwheel Bolt
		(1) 0450-A Chainwheel Spacer
		(1) 5211-A M20 x 2.5 Chainwheel Bolt Nut
		Hex Brass Cap Holder Kit Includes
	5570-A	(1) 5750-A Brass Cap Holder
		(1) 19657 5/16-18 x 1 1/4" Serrated Flange Head Bolt
		(1) 33815 3/8" Flat Washer
		(1) 37262 5/16-18 Top Lock Nut

NOTE: Right (Passenger) side and Left (Driver) side part numbers apply for chains mounted forward of axle.

Model 04051HCBC10

Right Side Shown





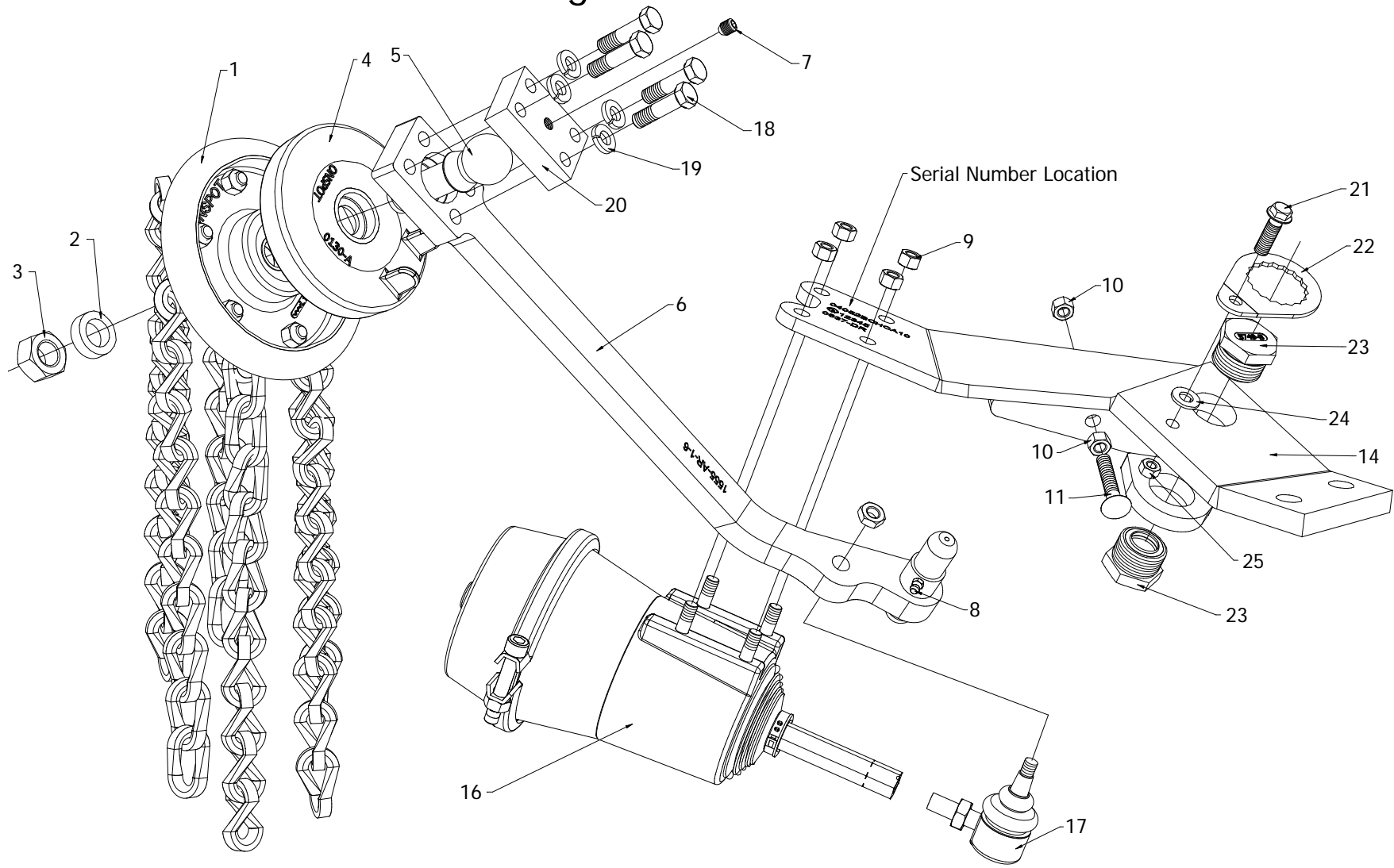
Automatic Tire Chains

Ref. No.	Part Number	Description
1	0925-AR	Complete Chainwheel Right Side (See Page 12: for Chainwheel Components)
	0925-AL	Complete Chainwheel Left Side
4	0926-A	Chainwheel Helmet
2	0450-A	Chainwheel Spacer
3	5211-A	M20 x 2.5 Chainwheel Bolt Nut
5	5222-A	M20 x 2.5 x 100mm Chainwheel Bolt
6	1555-AR-1	Arm for Right Side
	1555-AL-1	Arm for Left Side
8	1026-A	1/4-28 Zirc Fitting
9	41755	M10 x 1.5 Nylock Nut
10	31203	3/8-16 Nut
11	21821	3/8-16 x 2" Carriage Bolt as Stop Bolt
14	0637-DR	Cylinder Bracket Right Side (Ships without Brass Caps)
	0637-DL	Cylinder Bracket Left Side
16	1037-B	Complete Cylinder (See Page 162 for Cylinder Components)
17	1005-A	Angle Joint
21	19657	5/16-18 x 1 1/4" Serrated Flange Head Bolt
22	5750-A	Brass Cap Holder
23	5749-B	Arm Pivot Brass Cap
24	33815	3/8" Flat Washer
25	37262	5/16-18 Top Lock Nut
	04050HCBC-AR	Complete Right Side Assembly without Chainwheel and Helmet
	04050HCBC-AL	Complete Left Side Assembly without Chainwheel and Helmet
		Chainwheel Bolt Kit Includes
	5564-A	(1) 5222-A M20 x 2.5 x 100mm Chainwheel Bolt
		(2) 0450-A Chainwheel Spacer
		(1) 5211-A M20 x 2.5 Chainwheel Bolt Nut
		Hex Brass Cap Holder Kit Includes
	5570-A	(1) 5750-A Brass Cap Holder
		(1) 19657 5/16-18 x 1 1/4" Serrated Flange Head Bolt
		(1) 33815 3/8" Flat Washer
		(1) 37262 5/16-18 Top Lock Nut

NOTE: Right (Passenger) side and Left (Driver) side part numbers apply for chains mounted forward of axle.

Model 04052HCBCA10

Right Side Shown





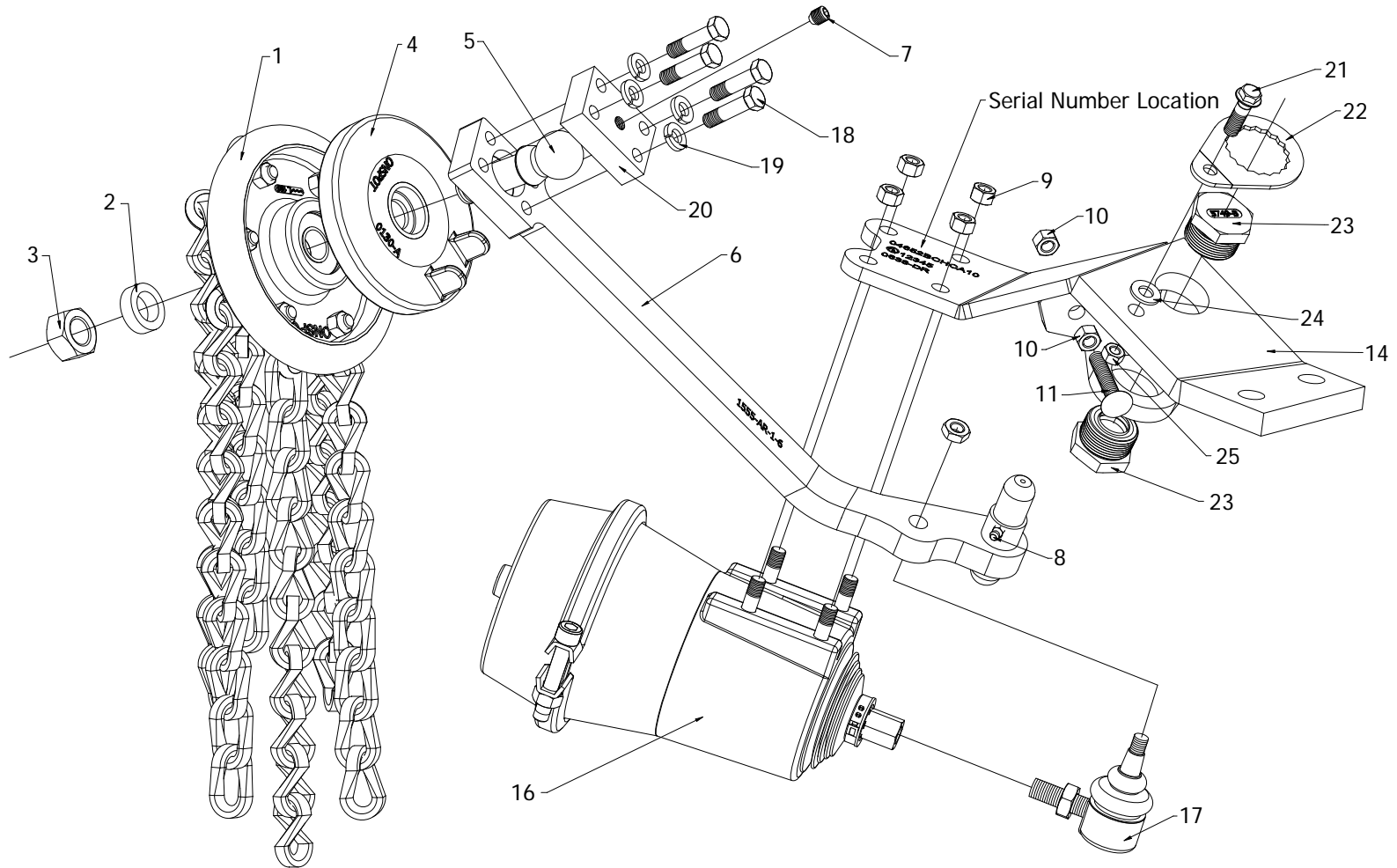
Automatic Tire Chains

Ref. No.	Part Number	Description
1	1392-AR-10	Complete Chainwheel Right Side (See Page 152 for Chainwheel Components)
	1392-AL-10	Complete Chainwheel Left Side
4	0130-A	Chainwheel Helmet
2	0450-A	Chainwheel Spacer
3	5211-A	M20 x 2.5 Chainwheel Bolt Nut
5	5262-A	M20 x 2.5 x 2 3/8" Adjustable Chainwheel Bolt
6	1555-AR-1-6	Arm for Right Side (Ships with Items 2, 3, 5, 7, 8, 18, 19, and 20)
	1555-AL-1-6	Arm for Left Side (Ships with Items 2, 3, 5, 7, 8, 18, 19, and 20)
7	1078-A	3/8-24 x 1/2" Set Screw
8	1026-A	1/4-28 Zinc Fitting
9	41755	M10 x 1.5 Nylock Nut
10	31203	3/8-16 Nut
11	21821	3/8-16 x 2" Carriage Bolt as Stop Bolt
14	0637-DR	Cylinder Bracket Right Side (Ships without Brass Caps)
	0637-DL	Cylinder Bracket Left Side
16	1037-B	Complete Cylinder (See Page 162 for Cylinder Components)
17	1005-A	Angle Joint
18	39056	3/8-16 x 1 1/2" Adjustable Arm Retainer Capscrew
19	39727	3/8" Adjustable Arm Lock Washer
20	7132-B	Retainer for Adjustable Arm Bolt
21	19657	5/16-18 x 1 1/4" Serrated Flange Head Bolt
22	5750-A	Brass Cap Holder
23	5749-B	Arm Pivot Brass Cap
24	33815	3/8" Flat Washer
25	37262	5/16-18 Top Lock Nut
	04050HCBCA-AR	Complete Right Side Assembly without Chainwheel and Helmet
	04050HCBCA-AL	Complete Left Side Assembly without Chainwheel and Helmet
		Chainwheel Bolt Kit Includes
	5568-A	(1) 5262-A M20 x 2.5 x 2 3/8" Adjustable Chainwheel Bolt
		(1) 0450-A Chainwheel Spacer
		(1) 5211-A M20 x 2.5 Chainwheel Bolt Nut
		Hex Brass Cap Holder Kit Includes
	5570-A	(1) 5750-A Brass Cap Holder
		(1) 19657 5/16-18 x 1 1/4" Serrated Flange Head Bolt
		(1) 33815 3/8" Flat Washer
		(1) 37262 5/16-18 Top Lock Nut

NOTE: Right (Passenger) side and Left (Driver) side part numbers apply for chains mounted forward of axle.

Model 04652HCBCA10

Right Side Shown





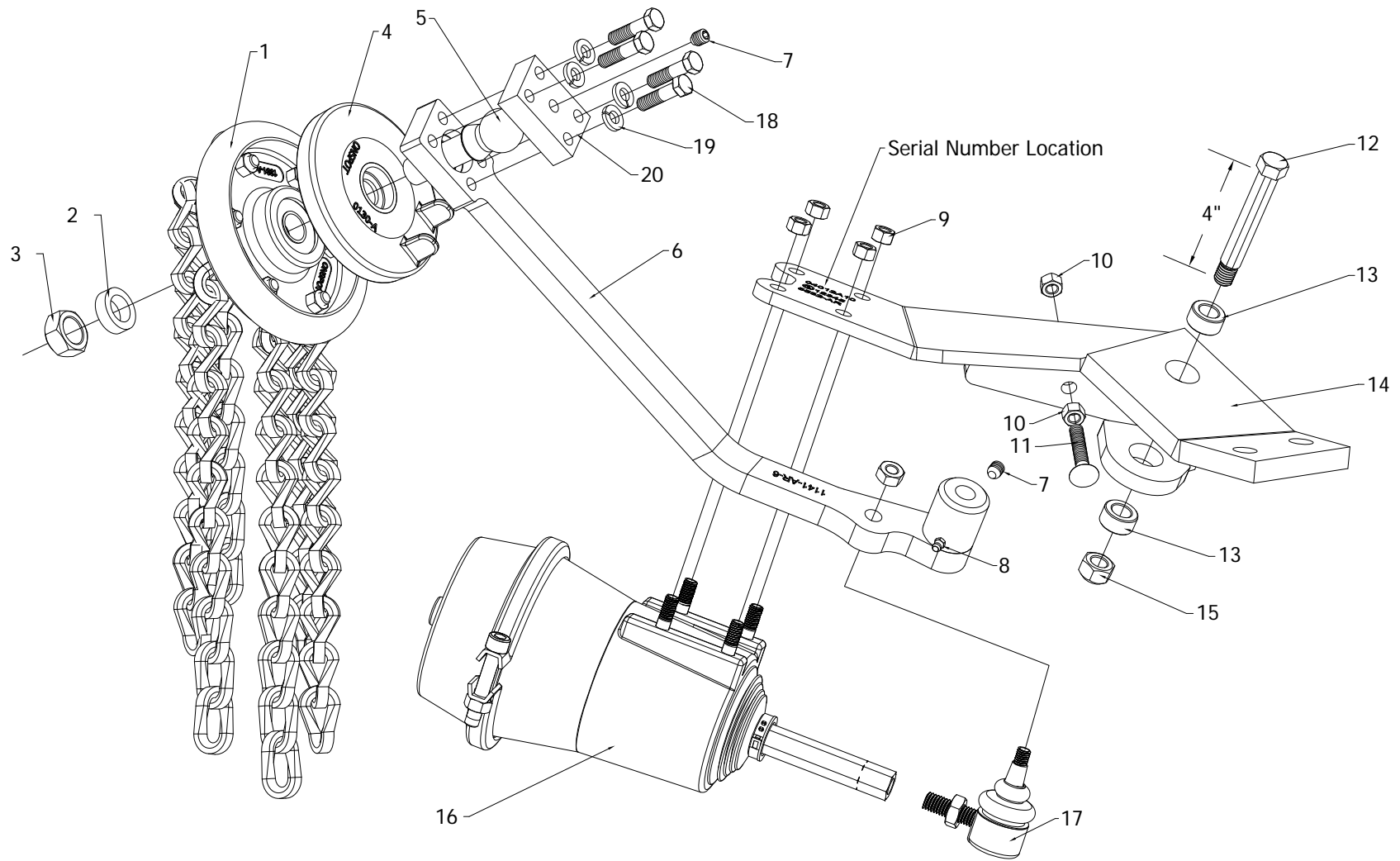
Automatic Tire Chains

Ref. No.	Part Number	Description
1	1392-AR-10	Complete Chainwheel Right Side (See Page 152 for Chainwheel Components)
	1392-AL-10	Complete Chainwheel Left Side
4	0130-A	Chainwheel Helmet
2	0450-A	Chainwheel Spacer
3	5211-A	M20 x 2.5 Chainwheel Bolt Nut
5	5262-A	M20 x 2.5 x 2 3/8" Adjustable Chainwheel Bolt
6	1555-AR-1-6	Arm for Right Side (Ships with Items 2, 3, 5, 7, 8, 18, 19, and 20)
	1555-AL-1-6	Arm for Left Side (Ships with Items 2, 3, 5, 7, 8, 18, 19, and 20)
7	1078-A	3/8-24 x 1/2" Set Screw
8	1026-A	1/4-28 Zinc Fitting
9	41755	M10 x 1.5 Nylock Nut
10	31203	3/8-16 Nut
11	21821	3/8-16 x 2" Carriage Bolt as Stop Bolt
14	0638-DR	Cylinder Bracket Right Side (Ships without Brass Caps)
	0638-DL	Cylinder Bracket Left Side
16	1037-A	Complete Cylinder (See Page 162 for Cylinder Components)
17	1005-A	Angle Joint
18	39056	3/8-16 x 1 1/2" Adjustable Arm Retainer Capscrew
19	39727	3/8" Adjustable Arm Lock Washer
20	7132-B	Retainer for Adjustable Arm Bolt
21	19657	5/16-18 x 1 1/4" Serrated Flange Head Bolt
22	5750-A	Brass Cap Holder
23	5749-B	Arm Pivot Brass Cap
24	33815	3/8" Flat Washer
25	37262	5/16-18 Top Lock Nut
	04650HCBCA-AR	Complete Right Side Assembly without Chainwheel and Helmet
	04650HCBCA-AL	Complete Left Side Assembly without Chainwheel and Helmet
		Chainwheel Bolt Kit Includes
	5568-A	(1) 5262-A M20 x 2.5 x 2 3/8" Adjustable Chainwheel Bolt
		(1) 0450-A Chainwheel Spacer
		(1) 5211-A M20 x 2.5 Chainwheel Bolt Nut
		Hex Brass Cap Holder Kit Includes
	5570-A	(1) 5750-A Brass Cap Holder
		(1) 19657 5/16-18 x 1 1/4" Serrated Flange Head Bolt
		(1) 33815 3/8" Flat Washer
		(1) 37262 5/16-18 Top Lock Nut

NOTE: Right (Passenger) side and Left (Driver) side part numbers apply for chains mounted forward of axle.

Model 04012A10

Right Side Shown





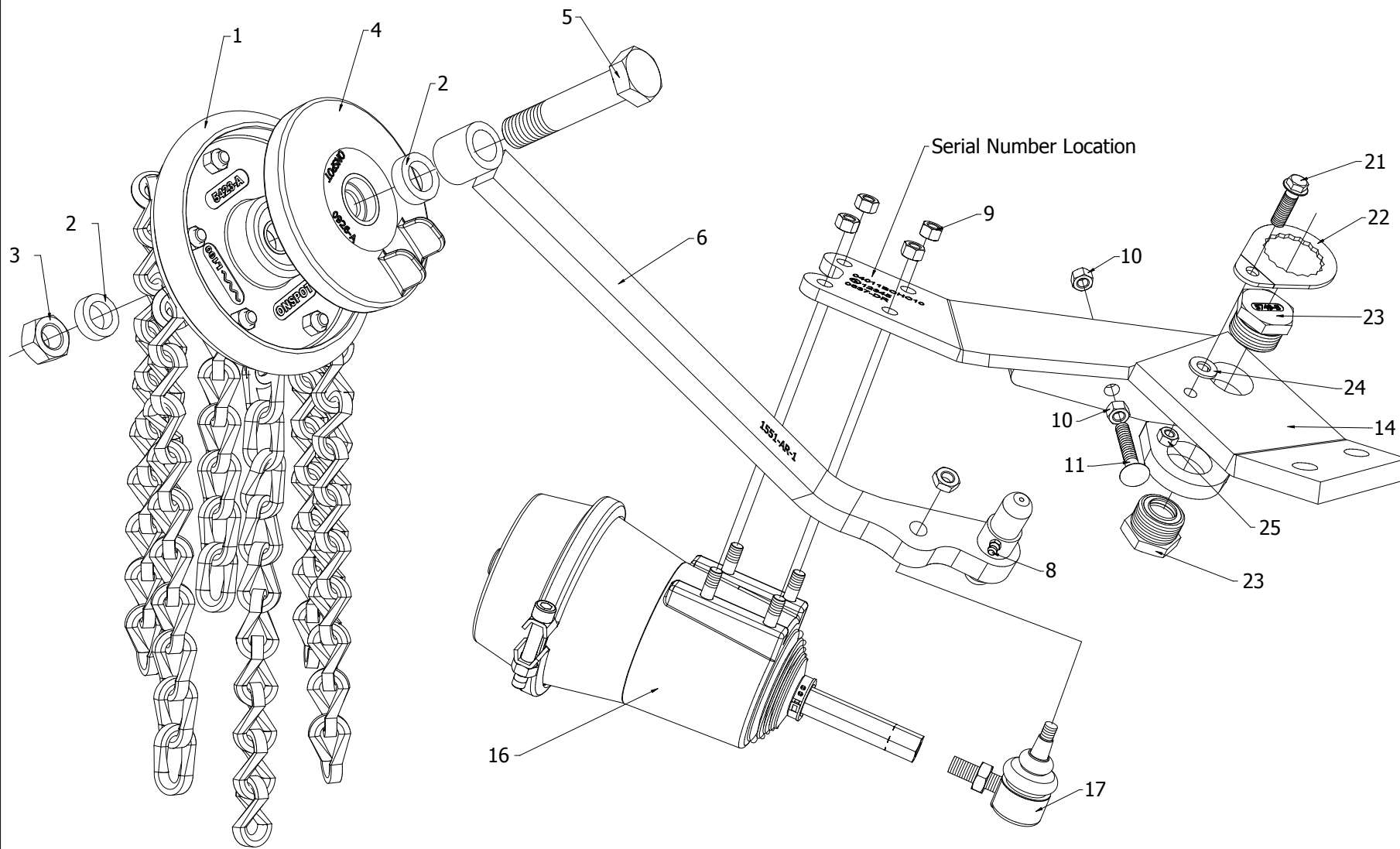
Automatic Tire Chains

Ref. No.	Part Number	Description
1	1392-AR-10	Complete Chainwheel Right Side (See Page 152 for Chainwheel Components)
	1392-AL-10	Complete Chainwheel Left Side
4	0130-A	Chainwheel Helmet
2	0450-A	Chainwheel Spacer
3	5211-A	M20 x 2.5 Chainwheel Bolt Nut
5	5262-A	M20 x 2.5 x 2 3/8" Adjustable Chainwheel Bolt
6	1141-AR-6	Arm for Right Side (Ships with Items 2, 3, 5, 7, 8, 18, 19, and 20)
	1141-AL-6	Arm for Left Side (Ships with Items 2, 3, 5, 7, 8, 18, 19, and 20)
7	1078-A	3/8-24 x 1/2" Set Screw
8	1026-A	1/4-28 Zinc Fitting
9	41755	M10 x 1.5 Nylock Nut
10	31203	3/8-16 Nut
11	21821	3/8-16 x 2" Carriage Bolt as Stop Bolt
12	1077-B	Arm Bolt 4" Length
13	5487-A	Oilyte Bushing (2 per Cylinder Bracket)
14	5532-AR	Cylinder Bracket Right Side (Ships with Oilyte Bushing Installed)
	5532-AL	Cylinder Bracket Left Side
15	5365-A	M14 x 2.0 Arm Bolt Grip Nut
16	1037-B	Complete Cylinder (See Page 162 for Cylinder Components)
17	1005-A	Angle Joint
18	39056	3/8-16 x 1 1/2" Adjustable Arm Retainer Capscrew
19	39727	3/8" Adjustable Arm Lock Washer
20	7132-B	Retainer for Adjustable Arm Bolt
	04010A-AR	Complete Right Side Assembly without Chainwheel and Helmet
	04010A-AL	Complete Left Side Assembly without Chainwheel and Helmet
		Chainwheel Bolt Kit Includes
	5568-A	(1) 5262-A M20 x 2.5 x 2 1/4" Adjustable Chainwheel Bolt
		(1) 0450-A Chainwheel Spacer
		(1) 5211-A M20 x 2.5 Chainwheel Bolt Nut
		Arm Bearing Kit Includes
	5559-D	(1) 1077-B Arm Bolt 4" Length
		(1) 1078-A 3/8-24 x 1/2" Set Screw
		(2) 5487-A Oilyte Bushing
		(1) 5365-A M14 x 2.0 Arm Bolt Grip Nut

NOTE: Right (Passenger) side and Left (Driver) side part numbers apply for chains mounted forward of axle.

Model 04011HCBC10

Right Side Shown





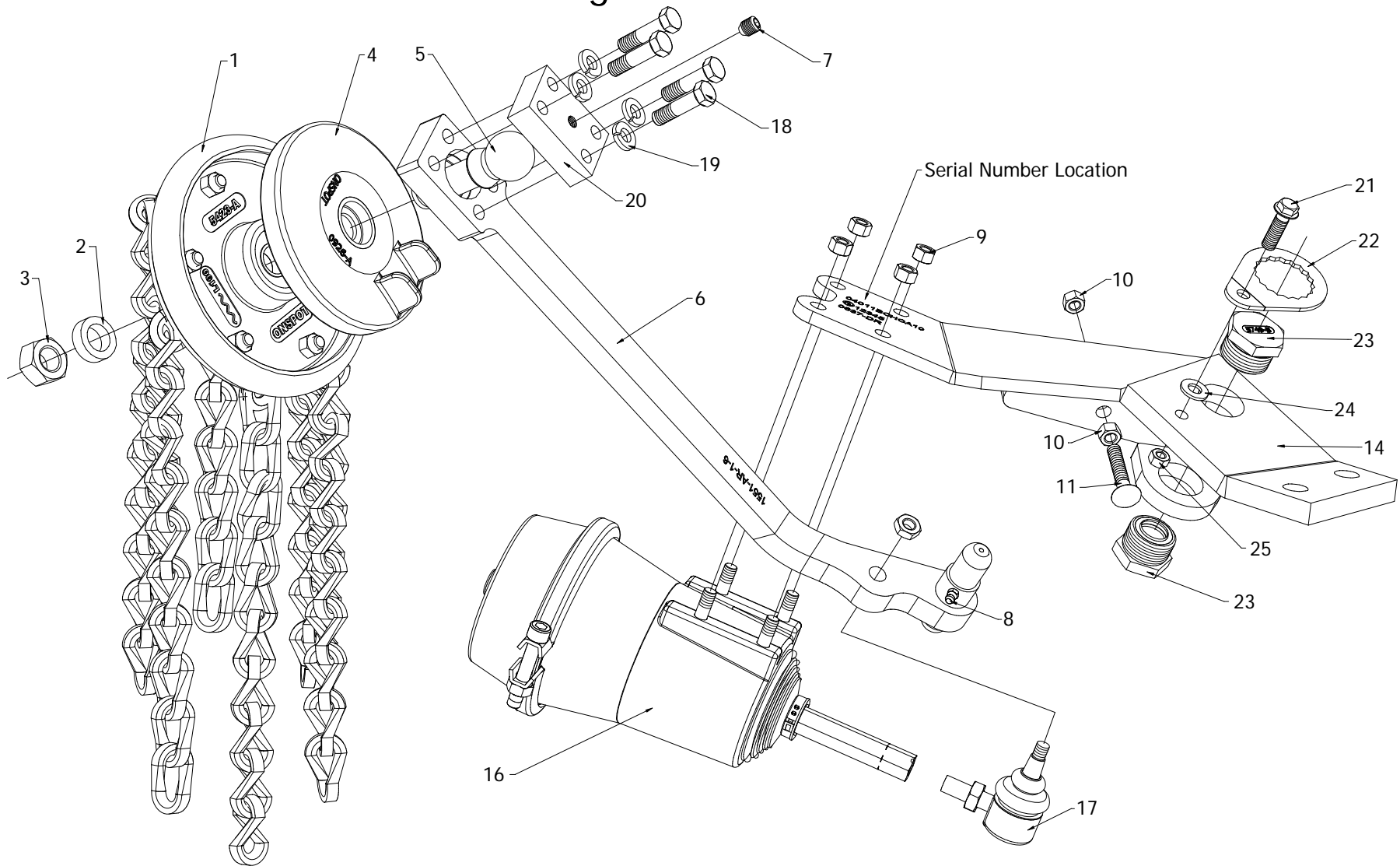
Automatic Tire Chains

Ref. No.	Part Number	Description
1	0925-AR	Complete Chainwheel Right Side (See Page 12: for Chainwheel Components)
	0925-AL	Complete Chainwheel Left Side
4	0926-A	Chainwheel Helmet
2	0450-A	Chainwheel Spacer
3	5211-A	M20 x 2.5 Chainwheel Bolt Nut
5	5222-A	M20 x 2.5 x 100mm Chainwheel Bolt
6	1551-AR-1	Arm for Right Side
	1551-AL-1	Arm for Left Side
8	1026-A	1/4-28 Zirc Fitting
9	41755	M10 x 1.5 Nylock Nut
10	31203	3/8-16 Nut
11	21821	3/8-16 x 2" Carriage Bolt as Stop Bolt
14	0637-DR	Cylinder Bracket Right Side (Ships without Brass Caps)
	0637-DL	Cylinder Bracket Left Side
16	1037-B	Complete Cylinder (See Page 162 for Cylinder Components)
17	1005-A	Angle Joint
21	19657	5/16-18 x 1 1/4" Serrated Flange Head Bolt
22	5750-A	Brass Cap Holder
23	5749-B	Arm Pivot Brass Cap
24	33815	3/8" Flat Washer
25	37262	5/16-18 Top Lock Nut
	04010HCBC-AR	Complete Right Side Assembly without Chainwheel and Helmet
	04010HCBC-AL	Complete Left Side Assembly without Chainwheel and Helmet
		Chainwheel Bolt Kit Includes
	5564-A	(1) 5222-A M20 x 2.5 x 100mm Chainwheel Bolt
		(2) 0450-A Chainwheel Spacer
		(1) 5211-A M20 x 2.5 Chainwheel Bolt Nut
		Hex Brass Cap Holder Kit Includes
	5570-A	(1) 5750-A Brass Cap Holder
		(1) 19657 5/16-18 x 1 1/4" Serrated Flange Head Bolt
		(1) 33815 3/8" Flat Washer
		(1) 37262 5/16-18 Top Lock Nut

NOTE: Right (Passenger) side and Left (Driver) side part numbers apply for chains mounted forward of axle.

Model 04011HCBCA10

Right Side Shown





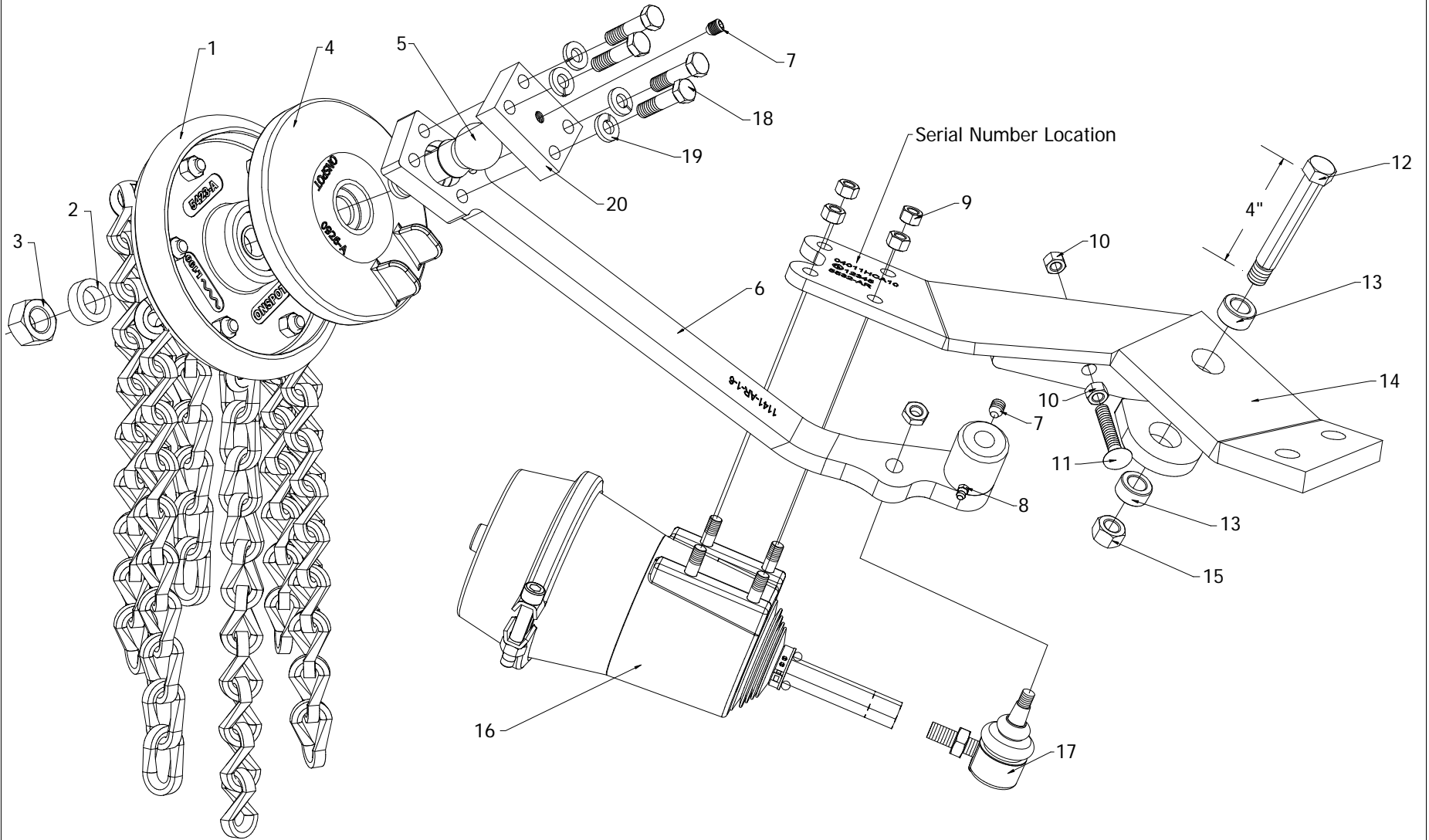
Automatic Tire Chains

Ref. No.	Part Number	Description
1	0925-AR	Complete Chainwheel Right Side (See Page 12: for Chainwheel Components)
	0925-AL	Complete Chainwheel Left Side
4	0926-A	Chainwheel Helmet
2	0450-A	Chainwheel Spacer
3	5211-A	M20 x 2.5 Chainwheel Bolt Nut
5	5262-A	M20 x 2.5 x 2 3/8" Adjustable Chainwheel Bolt
6	1551-AR-1-6	Arm for Right Side (Ships with Items 2, 3, 5, 7, 8, 18, 19, and 20)
	1551-AL-1-6	Arm for Left Side (Ships with Items 2, 3, 5, 7, 8, 18, 19, and 20)
7	1078-A	3/8-24 x 1/2" Set Screw
8	1026-A	1/4-28 Zinc Fitting
9	41755	M10 x 1.5 Nylock Nut
10	31203	3/8-16 Nut
11	21821	3/8-16 x 2" Carriage Bolt as Stop Bolt
14	0637-DR	Cylinder Bracket Right Side (Ships without Brass Caps)
	0637-DL	Cylinder Bracket Left Side
16	1037-B	Complete Cylinder (See Page 162 for Cylinder Components)
17	1005-A	Angle Joint
18	39056	3/8-16 x 1 1/2" Adjustable Arm Retainer Capscrew
19	39727	3/8" Adjustable Arm Lock Washer
20	7132-B	Retainer for Adjustable Arm Bolt
21	19657	5/16-18 x 1 1/4" Serrated Flange Head Bolt
22	5750-A	Brass Cap Holder
23	5749-B	Arm Pivot Brass Cap
24	33815	3/8" Flat Washer
25	37262	5/16-18 Top Lock Nut
	04010HCBCA-AR	Complete Right Side Assembly without Chainwheel and Helmet
	04010HCBCA-AL	Complete Left Side Assembly without Chainwheel and Helmet
		Chainwheel Bolt Kit Includes
	5568-A	(1) 5262-A M20 x 2.5 x 2 3/8" Adjustable Chainwheel Bolt
		(1) 0450-A Chainwheel Spacer
		(1) 5211-A M20 x 2.5 Chainwheel Bolt Nut
		Hex Brass Cap Holder Kit Includes
	5570-A	(1) 5750-A Brass Cap Holder
		(1) 19657 5/16-18 x 1 1/4" Serrated Flange Head Bolt
		(1) 33815 3/8" Flat Washer
		(1) 37262 5/16-18 Top Lock Nut

NOTE: Right (Passenger) side and Left (Driver) side part numbers apply for chains mounted forward of axle.

Model 04011HCA10

Right Side Shown





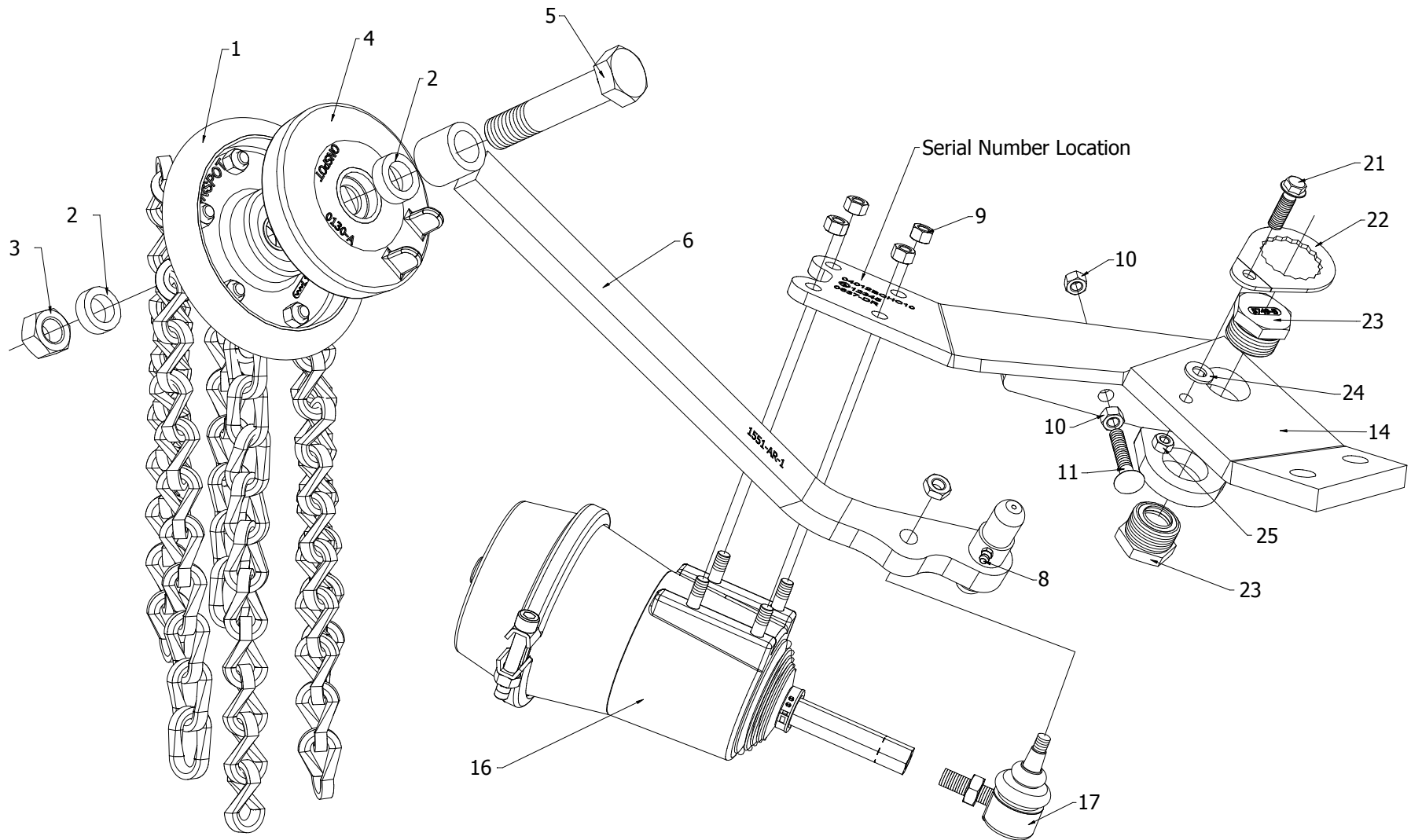
Automatic Tire Chains

Ref. No.	Part Number	Description
1	0925-AR	Complete Chainwheel Right Side (See Page 12: for Chainwheel Components)
	0925-AL	Complete Chainwheel Left Side
4	0926-A	Chainwheel Helmet
2	0450-A	Chainwheel Spacer
3	5211-A	M20 x 2.5 Chainwheel Bolt Nut
5	5262-A	M20 x 2.5 x 2 3/8" Adjustable Chainwheel Bolt
6	1141-AR-1-6	Arm for Right Side (Ships with Items 2, 3, 5, 7, 8, 18, 19, and 20)
	1141-AL-1-6	Arm for Left Side (Ships with Items 2, 3, 5, 7, 8, 18, 19, and 20)
7	1078-A	3/8-24 x 1/2" Set Screw
8	1026-A	1/4-28 Zinc Fitting
9	41755	M10 x 1.5 Nylock Nut
10	31203	3/8-16 Nut
11	21821	3/8-16 x 2" Carriage Bolt as Stop Bolt
12	1077-B	Arm Bolt 4" Length
13	5487-A	Oilyte Bushing (2 per Cylinder Bracket)
14	5532-AR	Cylinder Bracket Right Side (Ships with Oilyte Bushing Installed)
	5532-AL	Cylinder Bracket Left Side
15	5365-A	M14 x 2.0 Arm Bolt Grip Nut
16	1037-B	Complete Cylinder (See Page 162 for Cylinder Components)
17	1005-A	Angle Joint
18	39056	3/8-16 x 1 1/2" Adjustable Arm Retainer Capscrew
19	39727	3/8" Adjustable Arm Lock Washer
20	7132-B	Retainer for Adjustable Arm Bolt
	04010HCA-AR	Complete Right Side Assembly without Chainwheel and Helmet
	04010HCA-AL	Complete Left Side Assembly without Chainwheel and Helmet
		Chainwheel Bolt Kit Includes
	5568-A	(1) 5262-A M20 x 2.5 x 2 3/8" Adjustable Chainwheel Bolt
		(1) 0450-A Chainwheel Spacer
		(1) 5211-A M20 x 2.5 Chainwheel Bolt Nut
		Arm Bearing Kit Includes
	5559-D	(1) 1077-B Arm Bolt 4" Length
		(1) 1078-A 3/8-24 x 1/2" Set Screw
		(2) 5487-A Oilyte Bushing
		(1) 5365-A M14 x 2.0 Arm Bolt Grip Nut

NOTE: Right (Passenger) side and Left (Driver) side part numbers apply for chains mounted forward of axle.

Model 04012HCBC10

Right Side Shown





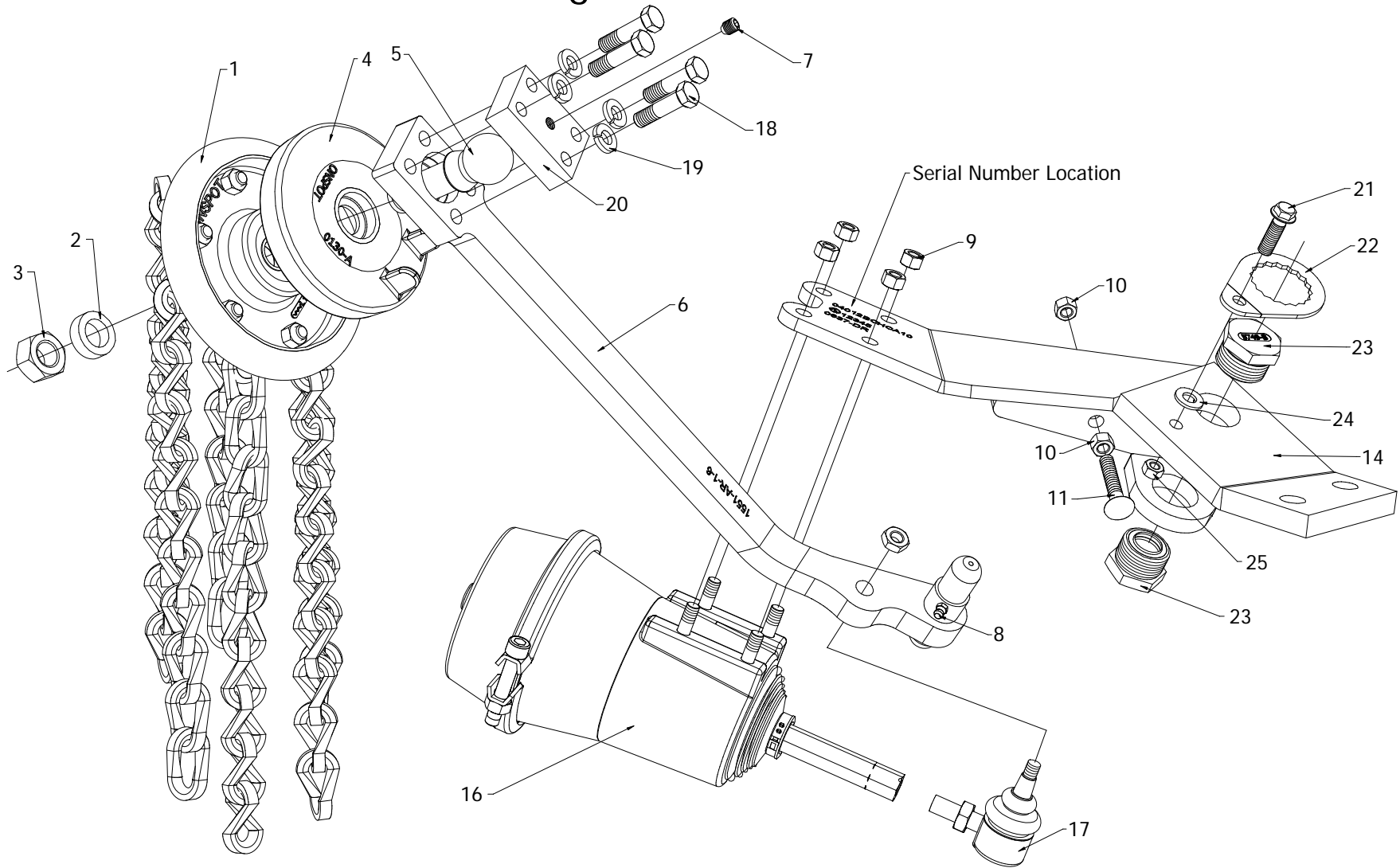
Automatic Tire Chains

Ref. No.	Part Number	Description
1	1392-AR-10	Complete Chainwheel Right Side (See Page 152 for Chainwheel Components)
	1392-AL-10	Complete Chainwheel Left Side
4	0130-A	Chainwheel Helmet
2	0450-A	Chainwheel Spacer
3	5211-A	M20 x 2.5 Chainwheel Bolt Nut
5	5222-A	M20 x 2.5 x 100mm Chainwheel Bolt
6	1551-AR-1	Arm for Right Side
	1551-AL-1	Arm for Left Side
8	1026-A	1/4-28 Zirc Fitting
9	41755	M10 x 1.5 Nylock Nut
10	31203	3/8-16 Nut
11	21821	3/8-16 x 2" Carriage Bolt as Stop Bolt
14	0637-DR	Cylinder Bracket Right Side (Ships without Brass Caps)
	0637-DL	Cylinder Bracket Left Side
16	1037-B	Complete Cylinder (See Page 162 for Cylinder Components)
17	1005-A	Angle Joint
21	19657	5/16-18 x 1 1/4" Serrated Flange Head Bolt
22	5750-A	Brass Cap Holder
23	5749-B	Arm Pivot Brass Cap
24	33815	3/8" Flat Washer
25	37262	5/16-18 Top Lock Nut
	04010HCBC-AR	Complete Right Side Assembly without Chainwheel and Helmet
	04010HCBC-AL	Complete Left Side Assembly without Chainwheel and Helmet
		Chainwheel Bolt Kit Includes
	5564-A	(1) 5222-A M20 x 2.5 x 100mm Chainwheel Bolt
		(2) 0450-A Chainwheel Spacer
		(1) 5211-A M20 x 2.5 Chainwheel Bolt Nut
		Hex Brass Cap Holder Kit Includes
	5570-A	(1) 5750-A Brass Cap Holder
		(1) 19657 5/16-18 x 1 1/4" Serrated Flange Head Bolt
		(1) 33815 3/8" Flat Washer
		(1) 37262 5/16-18 Top Lock Nut

NOTE: Right (Passenger) side and Left (Driver) side part numbers apply for chains mounted forward of axle.

Model 04012HCBCA10

Right Side Shown





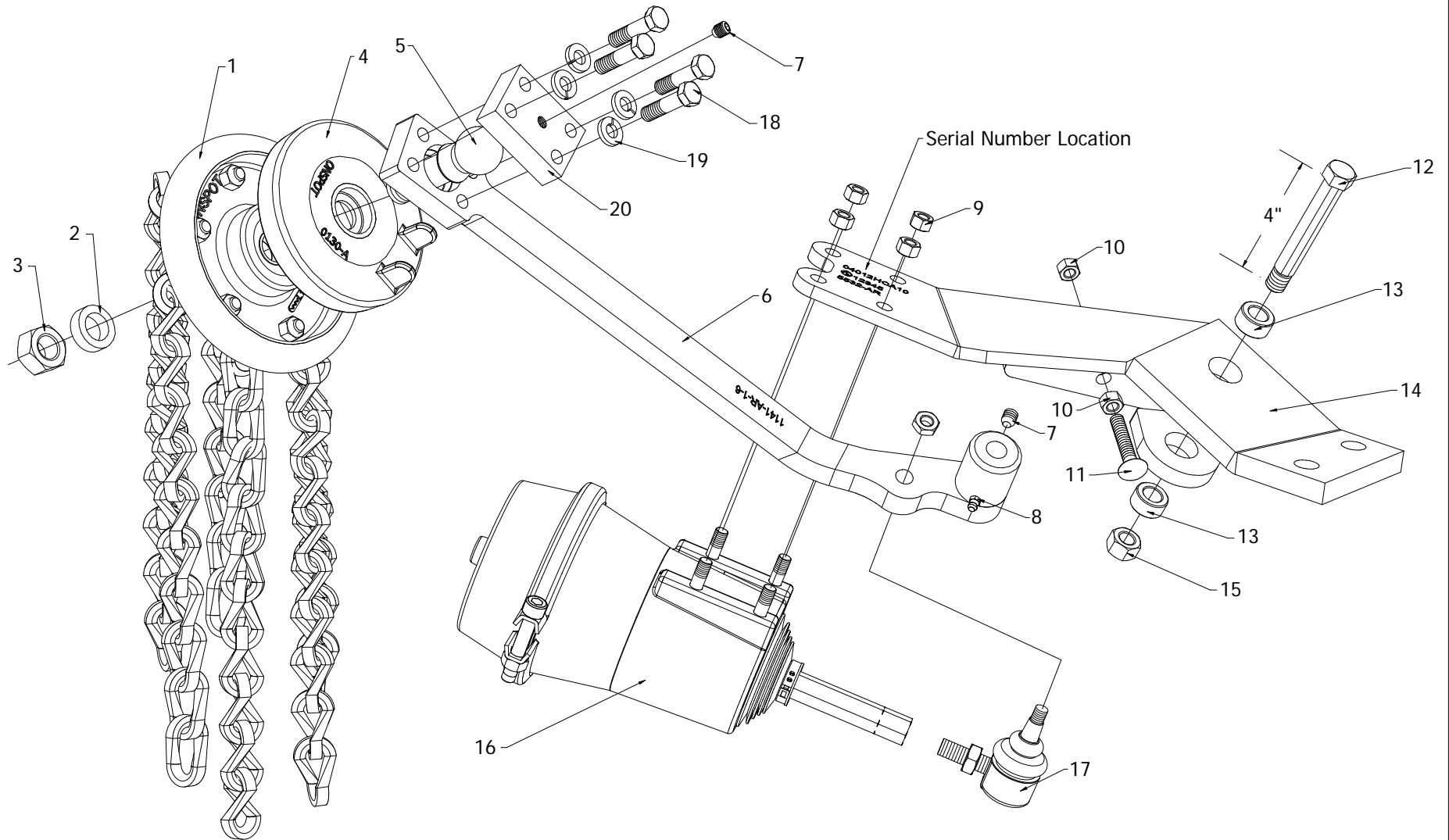
Automatic Tire Chains

Ref. No.	Part Number	Description
1	1392-AR-10	Complete Chainwheel Right Side (See Page 152 for Chainwheel Components)
	1392-AL-10	Complete Chainwheel Left Side
4	0130-A	Chainwheel Helmet
2	0450-A	Chainwheel Spacer
3	5211-A	M20 x 2.5 Chainwheel Bolt Nut
5	5262-A	M20 x 2.5 x 2 3/8" Adjustable Chainwheel Bolt
6	1551-AR-1-6	Arm for Right Side (Ships with Items 2, 3, 5, 7, 8, 18, 19, and 20)
	1551-AL-1-6	Arm for Left Side (Ships with Items 2, 3, 5, 7, 8, 18, 19, and 20)
7	1078-A	3/8-24 x 1/2" Set Screw
8	1026-A	1/4-28 Zinc Fitting
9	41755	M10 x 1.5 Nylock Nut
10	31203	3/8-16 Nut
11	21821	3/8-16 x 2" Carriage Bolt as Stop Bolt
14	0637-DR	Cylinder Bracket Right Side (Ships without Brass Caps)
	0637-DL	Cylinder Bracket Left Side
16	1037-B	Complete Cylinder (See Page 162 for Cylinder Components)
17	1005-A	Angle Joint
18	39056	3/8-16 x 1 1/2" Adjustable Arm Retainer Capscrew
19	39727	3/8" Adjustable Arm Lock Washer
20	7132-B	Retainer for Adjustable Arm Bolt
21	19657	5/16-18 x 1 1/4" Serrated Flange Head Bolt
22	5750-A	Brass Cap Holder
23	5749-B	Arm Pivot Brass Cap
24	33815	3/8" Flat Washer
25	37262	5/16-18 Top Lock Nut
	04010HCBCA-AR	Complete Right Side Assembly without Chainwheel and Helmet
	04010HCBCA-AL	Complete Left Side Assembly without Chainwheel and Helmet
		Chainwheel Bolt Kit Includes
	5568-A	(1) 5262-A M20 x 2.5 x 2 3/8" Adjustable Chainwheel Bolt
		(1) 0450-A Chainwheel Spacer
		(1) 5211-A M20 x 2.5 Chainwheel Bolt Nut
		Hex Brass Cap Holder Kit Includes
	5570-A	(1) 5750-A Brass Cap Holder
		(1) 19657 5/16-18 x 1 1/4" Serrated Flange Head Bolt
		(1) 33815 3/8" Flat Washer
		(1) 37262 5/16-18 Top Lock Nut

NOTE: Right (Passenger) side and Left (Driver) side part numbers apply for chains mounted forward of axle.

Model 04012HCA10

Right Side Shown





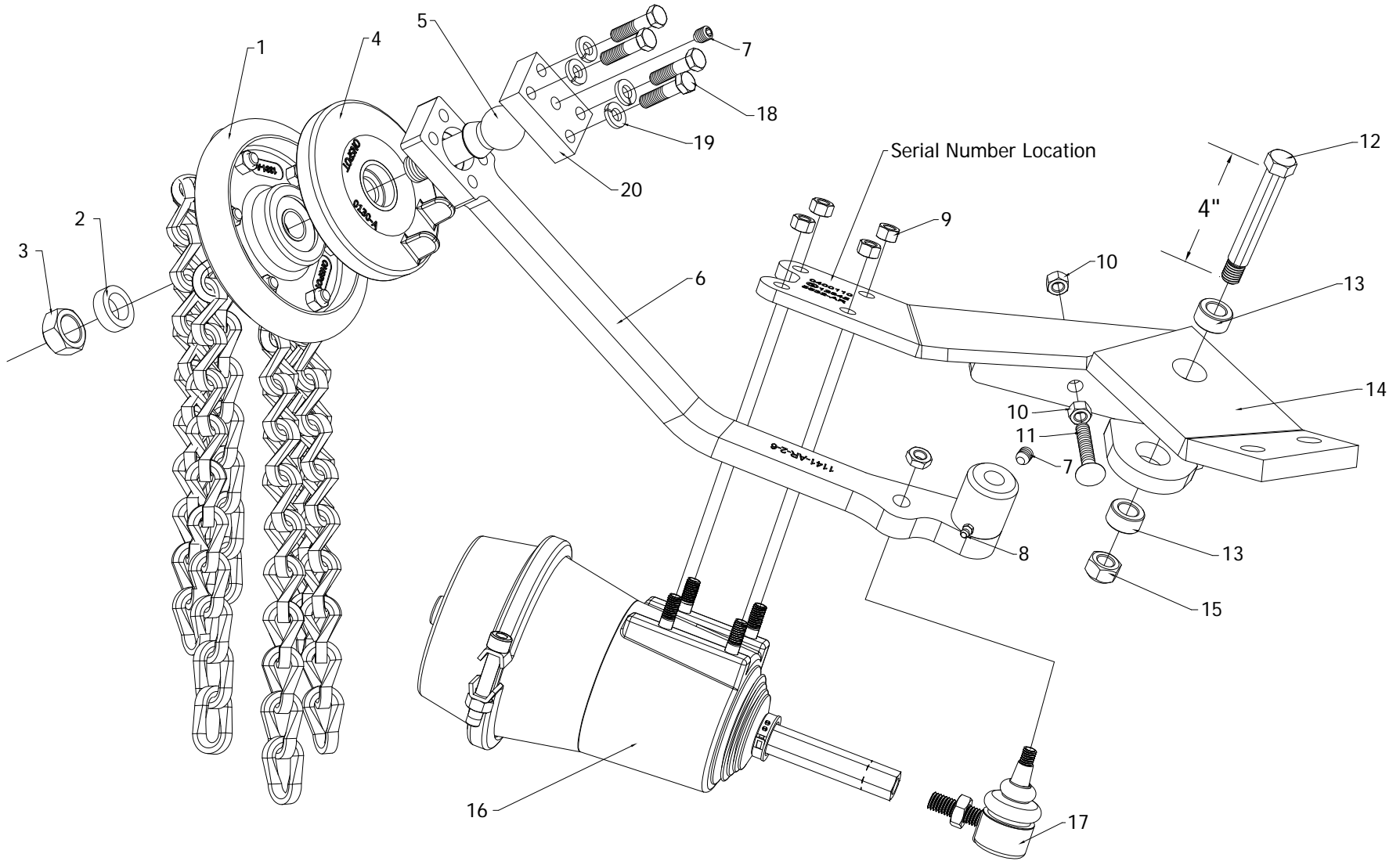
Automatic Tire Chains

Ref. No.	Part Number	Description
1	1392-AR-10	Complete Chainwheel Right Side (See Page 152 for Chainwheel Components)
	1392-AL-10	Complete Chainwheel Left Side
4	0130-A	Chainwheel Helmet
2	0450-A	Chainwheel Spacer
3	5211-A	M20 x 2.5 Chainwheel Bolt Nut
5	5262-A	M20 x 2.5 x 2 3/8" Adjustable Chainwheel Bolt
6	1141-AR-1-6	Arm for Right Side (Ships with Items 2, 3, 5, 7, 8, 18, 19, and 20)
	1141-AL-1-6	Arm for Left Side (Ships with Items 2, 3, 5, 7, 8, 18, 19, and 20)
7	1078-A	3/8-24 x 1/2" Set Screw
8	1026-A	1/4-28 Zinc Fitting
9	41755	M10 x 1.5 Nylock Nut
10	31203	3/8-16 Nut
11	21821	3/8-16 x 2" Carriage Bolt as Stop Bolt
12	1077-B	Arm Bolt 4" Length
13	5487-A	Oilyte Bushing (2 per Cylinder Bracket)
14	5532-AR	Cylinder Bracket Right Side (Ships with Oilyte Bushing Installed)
	5532-AL	Cylinder Bracket Left Side
15	5365-A	M14 x 2.0 Arm Bolt Grip Nut
16	1037-B	Complete Cylinder (See Page 162 for Cylinder Components)
17	1005-A	Angle Joint
18	39056	3/8-16 x 1 1/2" Adjustable Arm Retainer Capscrew
19	39727	3/8" Adjustable Arm Lock Washer
20	7132-B	Retainer for Adjustable Arm Bolt
	04010HCA-AR	Complete Right Side Assembly without Chainwheel and Helmet
	04010HCA-AL	Complete Left Side Assembly without Chainwheel and Helmet
		Chainwheel Bolt Kit Includes
	5568-A	(1) 5262-A M20 x 2.5 x 2 3/8" Adjustable Chainwheel Bolt
		(1) 0450-A Chainwheel Spacer
		(1) 5211-A M20 x 2.5 Chainwheel Bolt Nut
		Arm Bearing Kit Includes
	5559-D	(1) 1077-B Arm Bolt 4" Length
		(1) 1078-A 3/8-24 x 1/2" Set Screw
		(2) 5487-A Oilyte Bushing
		(1) 5365-A M14 x 2.0 Arm Bolt Grip Nut

NOTE: Right (Passenger) side and Left (Driver) side part numbers apply for chains mounted forward of axle.

Model 04012LCA10

Right Side Shown





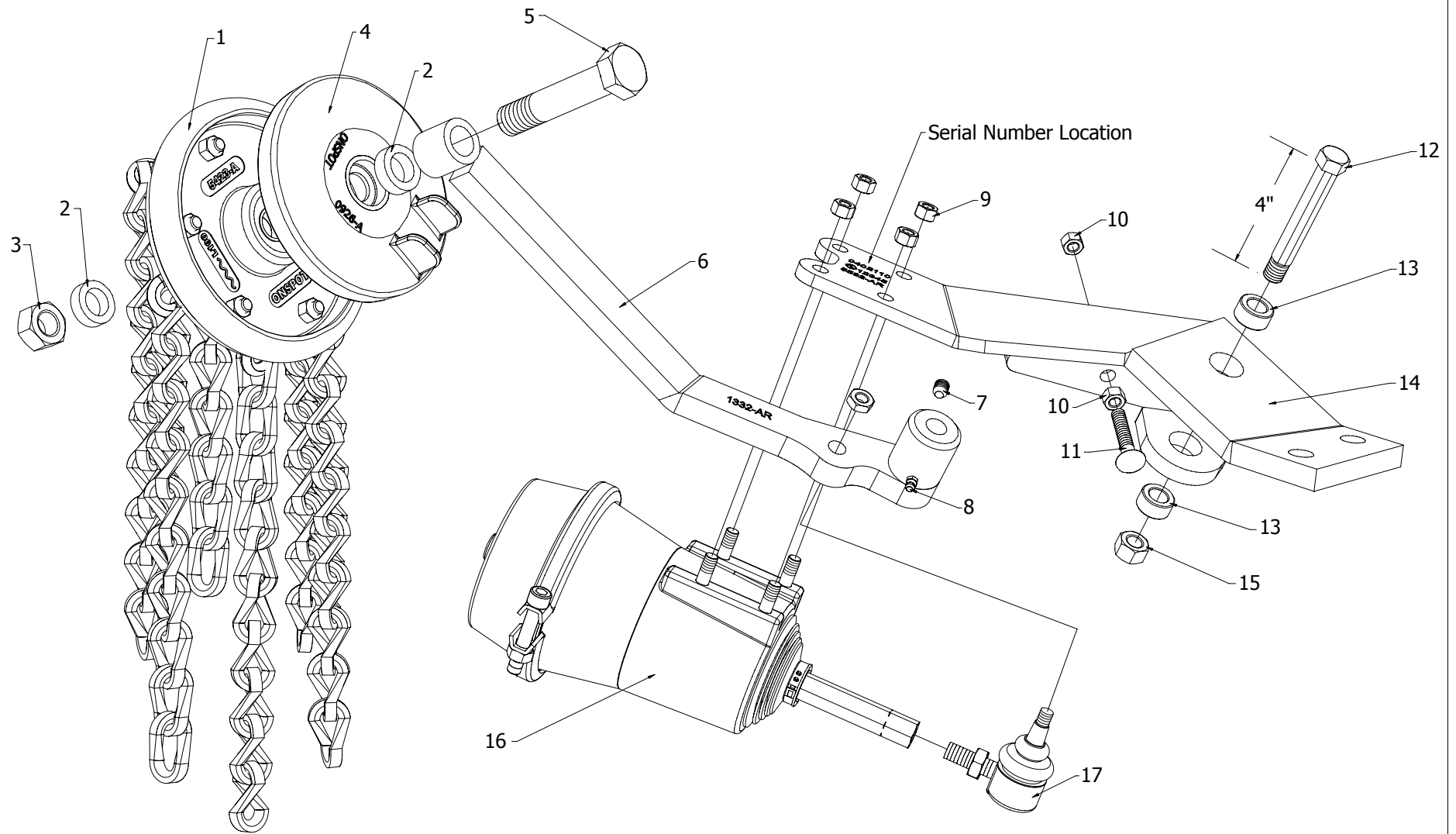
Automatic Tire Chains

Ref. No.	Part Number	Description
1	1392-AR-10	Complete Chainwheel Right Side (See Page 152 for Chainwheel Components)
	1392-AL-10	Complete Chainwheel Left Side
4	0130-A	Chainwheel Helmet
2	0450-A	Chainwheel Spacer
3	5211-A	M20 x 2.5 Chainwheel Bolt Nut
5	5262-A	M20 x 2.5 x 2 3/8" Adjustable Chainwheel Bolt
6	1141-AR-2-6	Arm for Right Side (Ships with Items 2, 3, 5, 7, 8, 18, 19, and 20)
	1141-AL-2-6	Arm for Left Side (Ships with Items 2, 3, 5, 7, 8, 18, 19, and 20)
7	1078-A	3/8-24 x 1/2" Set Screw
8	1026-A	1/4-28 Zinc Fitting
9	41755	M10 x 1.5 Nylock Nut
10	31203	3/8-16 Nut
11	21821	3/8-16 x 2" Carriage Bolt as Stop Bolt
12	1077-B	Arm Bolt 4" Length
13	5487-A	Oilyte Bushing (2 per Cylinder Bracket)
14	5532-AR	Cylinder Bracket Right Side (Ships with Oilyte Bushing Installed)
	5532-AL	Cylinder Bracket Left Side
15	5365-A	M14 x 2.0 Arm Bolt Grip Nut
16	1037-B	Complete Cylinder (See Page 162 for Cylinder Components)
17	1005-A	Angle Joint
18	39056	3/8-16 x 1 1/2" Adjustable Arm Retainer Capscrew
19	39727	3/8" Adjustable Arm Lock Washer
20	7132-B	Retainer for Adjustable Arm Bolt
	04010LCA-AR	Complete Right Side Assembly without Chainwheel and Helmet
	04010LCA-AL	Complete Left Side Assembly without Chainwheel and Helmet
		Chainwheel Bolt Kit Includes
	5568-A	(1) 5262-A M20 x 2.5 x 2 1/4" Adjustable Chainwheel Bolt
		(1) 0450-A Chainwheel Spacer
		(1) 5211-A M20 x 2.5 Chainwheel Bolt Nut
		Arm Bearing Kit Includes
	5559-D	(1) 1077-B Arm Bolt 4" Length
		(1) 1078-A 3/8-24 x 1/2" Set Screw
		(2) 5487-A Oilyte Bushing
		(1) 5365-A M14 x 2.0 Arm Bolt Grip Nut

NOTE: Right (Passenger) side and Left (Driver) side part numbers apply for chains mounted forward of axle.

Model 0402110

Right Side Shown





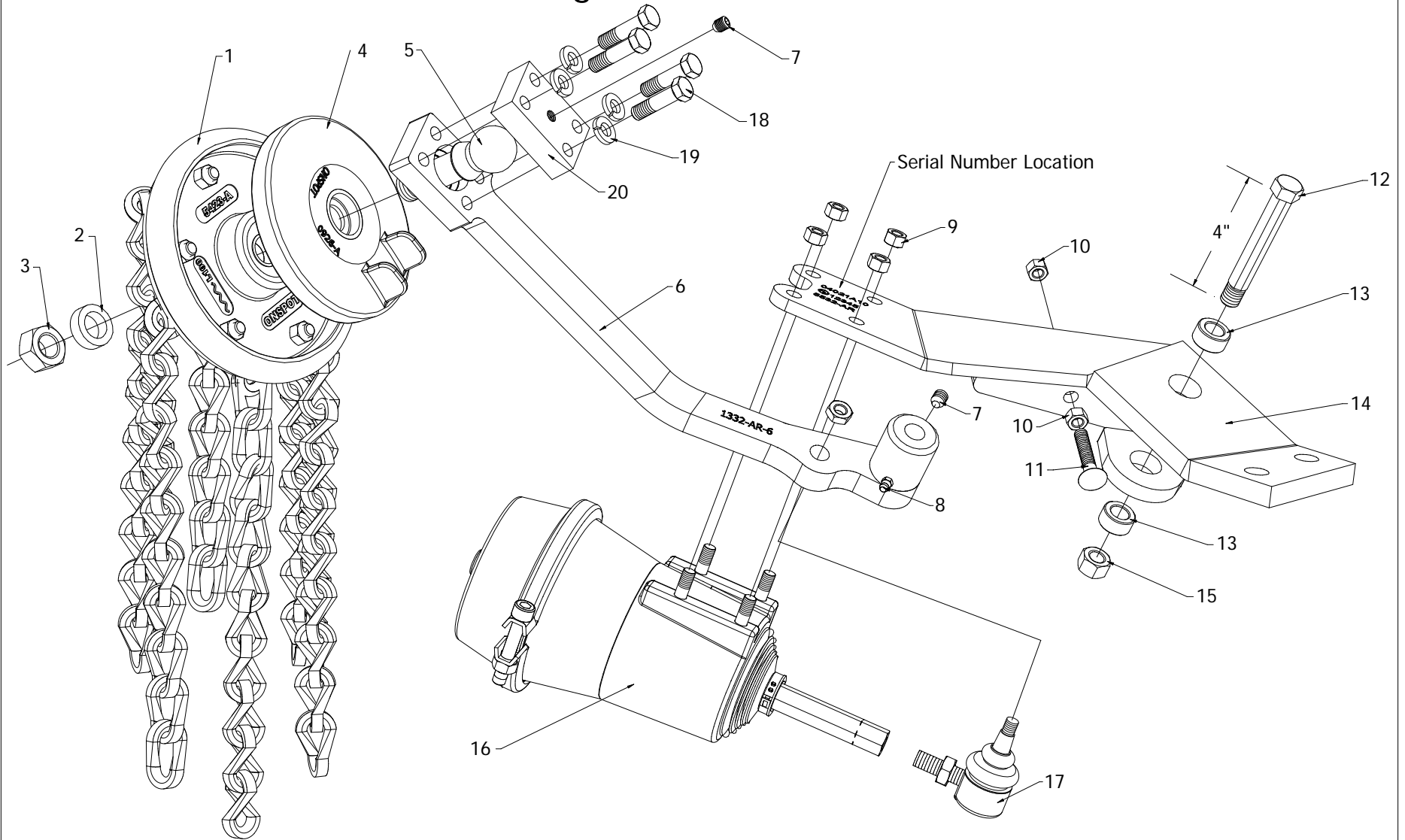
Automatic Tire Chains

Ref. No.	Part Number	Description
1	0925-AR	Complete Chainwheel Right Side (See Page 12: for Chainwheel Components)
	0925-AL	Complete Chainwheel Left Side
4	0926-A	Chainwheel Helmet
2	0450-A	Chainwheel Spacer
3	5211-A	M20 x 2.5 Chainwheel Bolt Nut
5	5222-A	M20 x 2.5 x 100mm Chainwheel Bolt
6	1332-AR	Arm for Right Side
	1332-AL	Arm for Left Side
7	1078-A	3/8-24 x 1/2" Set Screw
8	1026-A	1/4-28 Zinc Fitting
9	41755	M10 x 1.5 Nylock Nut
10	31203	3/8-16 Nut
11	21821	3/8-16 x 2" Carriage Bolt as Stop Bolt
12	1077-B	Arm Bolt 4" Length
13	5487-A	Oilyte Bushing (2 per Cylinder Bracket)
14	5532-AR	Cylinder Bracket Right Side (Ships with Oilyte Bushing Installed)
	5532-AL	Cylinder Bracket Left Side
15	5365-A	M14 x 2.0 Arm Bolt Grip Nut
16	1037-B	Complete Cylinder (See Page 162 for Cylinder Components)
17	1005-A	Angle Joint
	04020-AR	Complete Right Side Assembly without Chainwheel and Helmet
	04020-AL	Complete Left Side Assembly without Chainwheel and Helmet
		Chainwheel Bolt Kit Includes
	5564-A	(1) 5222-A M20 x 2.5 x 100mm Chainwheel Bolt
		(2) 0450-A Chainwheel Spacer
		(1) 5211-A M20 x 2.5 Chainwheel Bolt Nut
		Arm Bolt Kit Includes
	5559-D	(1) 1077-B Arm Bolt 4" Length
		(1) 1078-A 3/8-24 x 1/2" Set Screw
		(2) 5487-A Oilyte Bushing
		(1) 5365-A M14 x 2.0 Arm Bolt Grip Nut

NOTE: Right (Passenger) side and Left (Driver) side part numbers apply for chains mounted forward of axle.

Model 04021A10

Right Side Shown





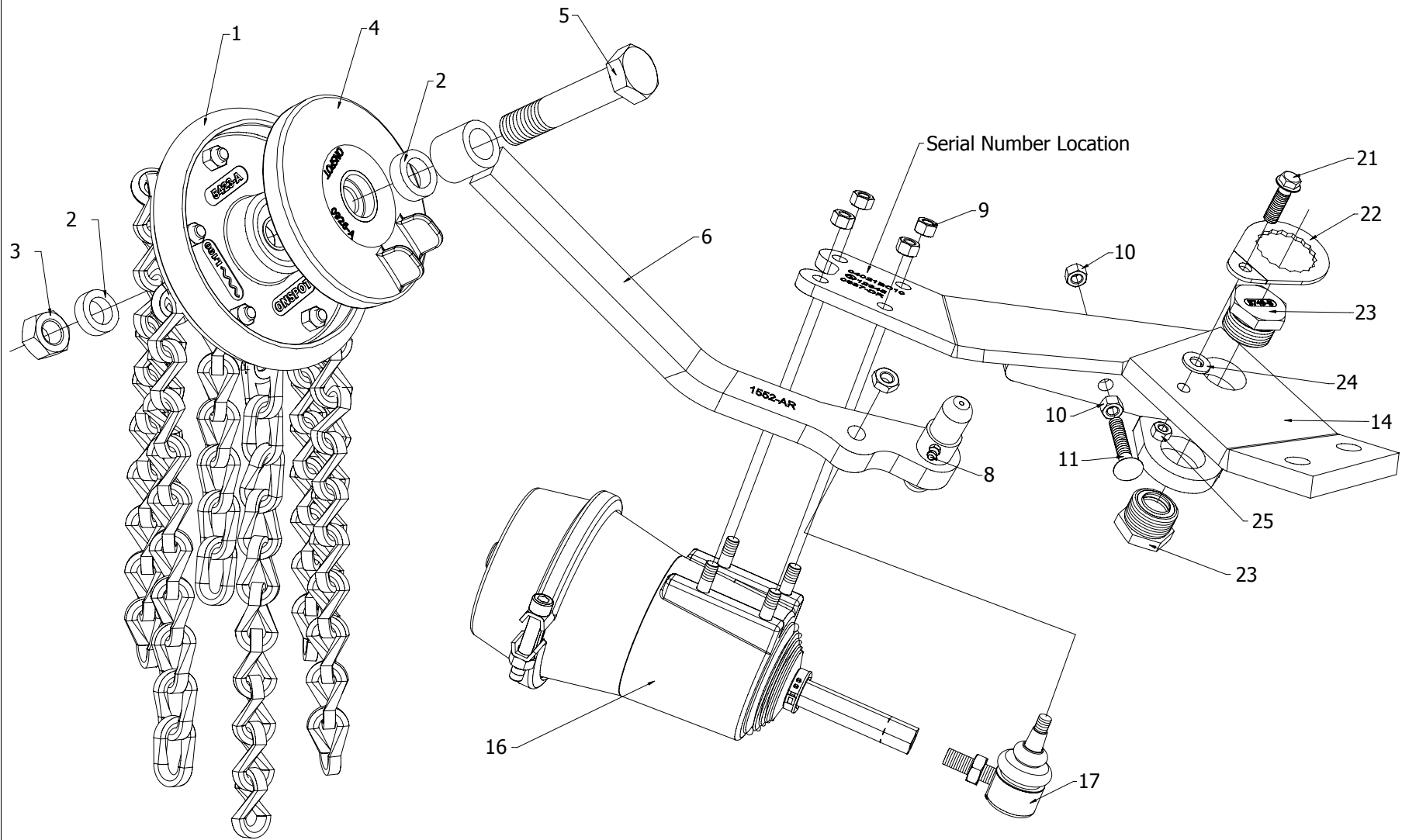
Automatic Tire Chains

Ref. No.	Part Number	Description
1	0925-AR	Complete Chainwheel Right Side (See Page 14: for Chainwheel Components)
	0925-AL	Complete Chainwheel Left Side
4	0926-A	Chainwheel Helmet
2	0450-A	Chainwheel Spacer
3	5211-A	M20 x 2.5 Chainwheel Bolt Nut
5	5262-A	M20 x 2.5 x 2 3/8" Adjustable Chainwheel Bolt
6	1332-AR-6	Arm for Right Side (Ships with Items 2, 3, 5, 7, 8, 18, 19, and 20)
	1332-AL-6	Arm for Left Side (Ships with Items 2, 3, 5, 7, 8, 18, 19, and 20)
7	1078-A	3/8-24 x 1/2" Set Screw
8	1026-A	1/4-28 Zinc Fitting
9	41755	M10 x 1.5 Nylock Nut
10	31203	3/8-16 Nut
11	21821	3/8-16 x 2" Carriage Bolt as Stop Bolt
12	1077-B	Arm Bolt 4" Length
13	5487-A	Oilyte Bushing (2 per Cylinder Bracket)
14	5532-AR	Cylinder Bracket Right Side (Ships with Oilyte Bushing Installed)
	5532-AL	Cylinder Bracket Left Side
15	5365-A	M14 x 2.0 Arm Bolt Grip Nut
16	1037-B	Complete Cylinder (See Page 162 for Cylinder Components)
17	1005-A	Angle Joint
18	39056	3/8-16 x 1 1/2" Adjustable Arm Retainer Capscrew
19	39727	3/8" Adjustable Arm Lock Washer
20	7132-B	Retainer for Adjustable Arm Bolt
	04020A-AR	Complete Right Side Assembly without Chainwheel and Helmet
	04020A-AL	Complete Left Side Assembly without Chainwheel and Helmet
		Chainwheel Bolt Kit Includes
	5568-A	(1) 5262-A M20 x 2.5 x 2 3/8" Adjustable Chainwheel Bolt
		(1) 0450-A Chainwheel Spacer
		(1) 5211-A M20 x 2.5 Chainwheel Bolt Nut
		Arm Bearing Kit Includes
	5559-D	(1) 1077-B Arm Bolt 4" Length
		(1) 1078-A 3/8-24 x 1/2" Set Screw
		(2) 5487-A Oilyte Bushing
		(1) 5365-A M14 x 2.0 Arm Bolt Grip Nut

NOTE: Right (Passenger) side and Left (Driver) side part numbers apply for chains mounted forward of axle.

Model 04021BC10

Right Side Shown





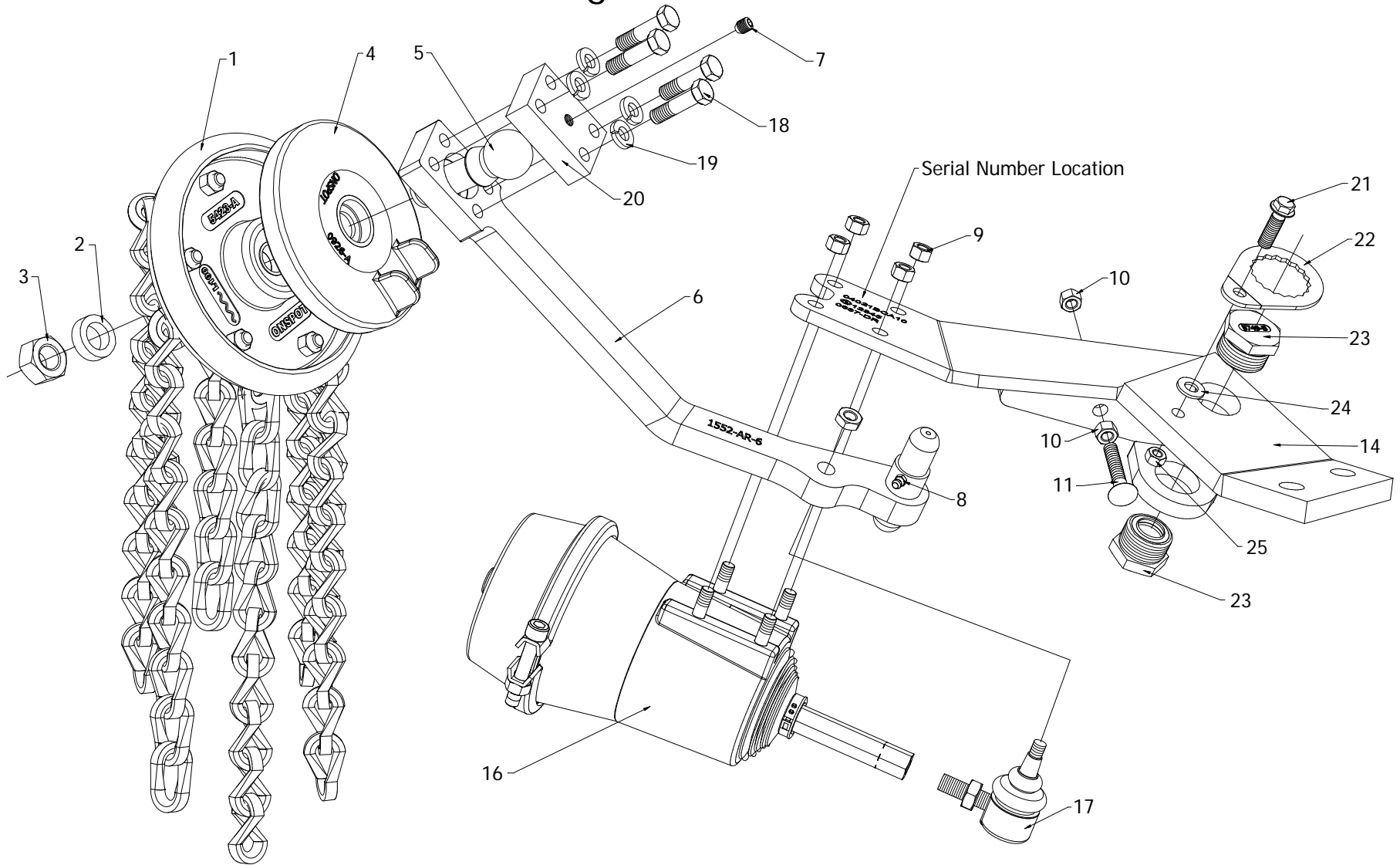
Automatic Tire Chains

Ref. No.	Part Number	Description
1	0925-AR	Complete Chainwheel Right Side (See Page 12: for Chainwheel Components)
	0925-AL	Complete Chainwheel Left Side
4	0926-A	Chainwheel Helmet
2	0450-A	Chainwheel Spacer
3	5211-A	M20 x 2.5 Chainwheel Bolt Nut
5	5222-A	M20 x 2.5 x 100mm Chainwheel Bolt
6	1552-AR	Arm for Right Side
	1552-AL	Arm for Left Side
8	1026-A	1/4-28 Zirc Fitting
9	41755	M10 x 1.5 Nylock Nut
10	31203	3/8-16 Nut
11	21821	3/8-16 x 2" Carriage Bolt as Stop Bolt
14	0637-DR	Cylinder Bracket Right Side (Ships without Brass Caps)
	0637-DL	Cylinder Bracket Left Side
16	1037-B	Complete Cylinder (See Page 162 for Cylinder Components)
17	1005-A	Angle Joint
21	19657	5/16-18 x 1 1/4" Serrated Flange Head Bolt
22	5750-A	Brass Cap Holder
23	5749-B	Arm Pivot Brass Cap
24	33815	3/8" Flat Washer
25	37262	5/16-18 Top Lock Nut
	04020BC-AR	Complete Right Side Assembly without Chainwheel and Helmet
	04020BC-AL	Complete Left Side Assembly without Chainwheel and Helmet
		Chainwheel Bolt Kit Includes
	5564-A	(1) 5222-A M20 x 2.5 x 100mm Chainwheel Bolt
		(2) 0450-A Chainwheel Spacer
		(1) 5211-A M20 x 2.5 Chainwheel Bolt Nut
		Hex Brass Cap Holder Kit Includes
	5570-A	(1) 5750-A Brass Cap Holder
		(1) 19657 5/16-18 x 1 1/4" Serrated Flange Head Bolt
		(1) 33815 3/8" Flat Washer
		(1) 37262 5/16-18 Top Lock Nut

NOTE: Right (Passenger) side and Left (Driver) side part numbers apply for chains mounted forward of axle.

Model 04021BCA10

Right Side Shown





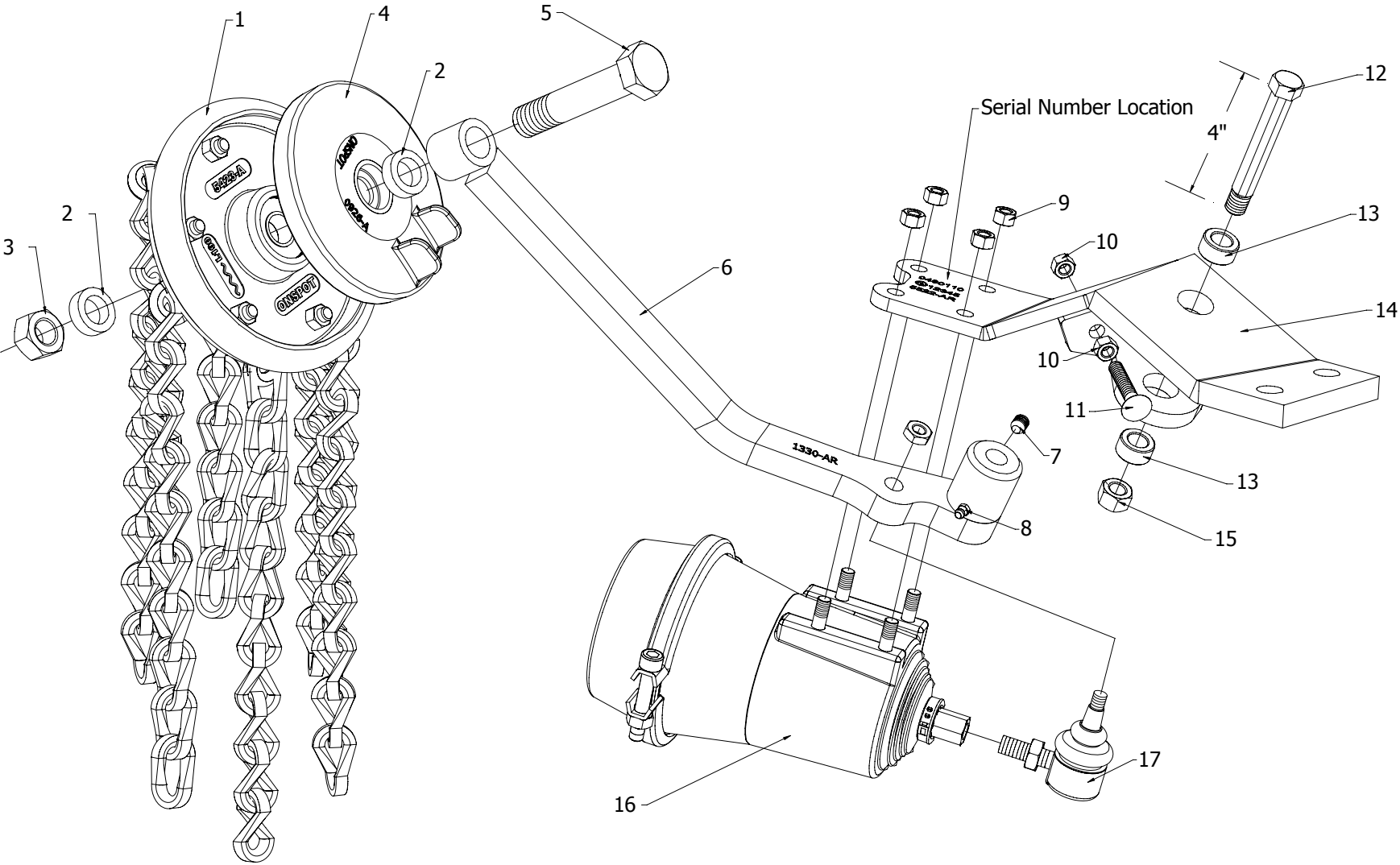
Automatic Tire Chains

Ref. No.	Part Number	Description
1	0925-AR	Complete Chainwheel Right Side (See Page 12: for Chainwheel Components)
	0925-AL	Complete Chainwheel Left Side
4	0926-A	Chainwheel Helmet
2	0450-A	Chainwheel Spacer
3	5211-A	M20 x 2.5 Chainwheel Bolt Nut
5	5262-A	M20 x 2.5 x 2 3/8" Adjustable Chainwheel Bolt
6	1552-AR-6	Arm for Right Side (Ships with Items 2, 3, 5, 7, 8, 18, 19, and 20)
	1552-AL-6	Arm for Left Side (Ships with Items 2, 3, 5, 7, 8, 18, 19, and 20)
7	1078-A	3/8-24 x 1/2" Set Screw
8	1026-A	1/4-28 Zinc Fitting
9	41755	M10 x 1.5 Nylock Nut
10	31203	3/8-16 Nut
11	21821	3/8-16 x 2" Carriage Bolt as Stop Bolt
14	0637-DR	Cylinder Bracket Right Side (Ships without Brass Caps)
	0637-DL	Cylinder Bracket Left Side
16	1037-B	Complete Cylinder (See Page 162 for Cylinder Components)
17	1005-A	Angle Joint
18	39056	3/8-16 x 1 1/2" Adjustable Arm Retainer Capscrew
19	39727	3/8" Adjustable Arm Lock Washer
20	7132-B	Retainer for Adjustable Arm Bolt
21	19657	5/16-18 x 1 1/4" Serrated Flange Head Bolt
22	5750-A	Brass Cap Holder
23	5749-B	Arm Pivot Brass Cap
24	33815	3/8" Flat Washer
25	37262	5/16-18 Top Lock Nut
	04020BCA-AR	Complete Right Side Assembly without Chainwheel and Helmet
	04020BCA-AL	Complete Left Side Assembly without Chainwheel and Helmet
		Chainwheel Bolt Kit Includes
	5568-A	(1) 5262-A M20 x 2.5 x 2 3/8" Adjustable Chainwheel Bolt
		(1) 0450-A Chainwheel Spacer
		(1) 5211-A M20 x 2.5 Chainwheel Bolt Nut
		Hex Brass Cap Holder Kit Includes
	5570-A	(1) 5750-A Brass Cap Holder
		(1) 19657 5/16-18 x 1 1/4" Serrated Flange Head Bolt
		(1) 33815 3/8" Flat Washer
		(1) 37262 5/16-18 Top Lock Nut

NOTE: Right (Passenger) side and Left (Driver) side part numbers apply for chains mounted forward of axle.

Model 0460110

Right Side Shown





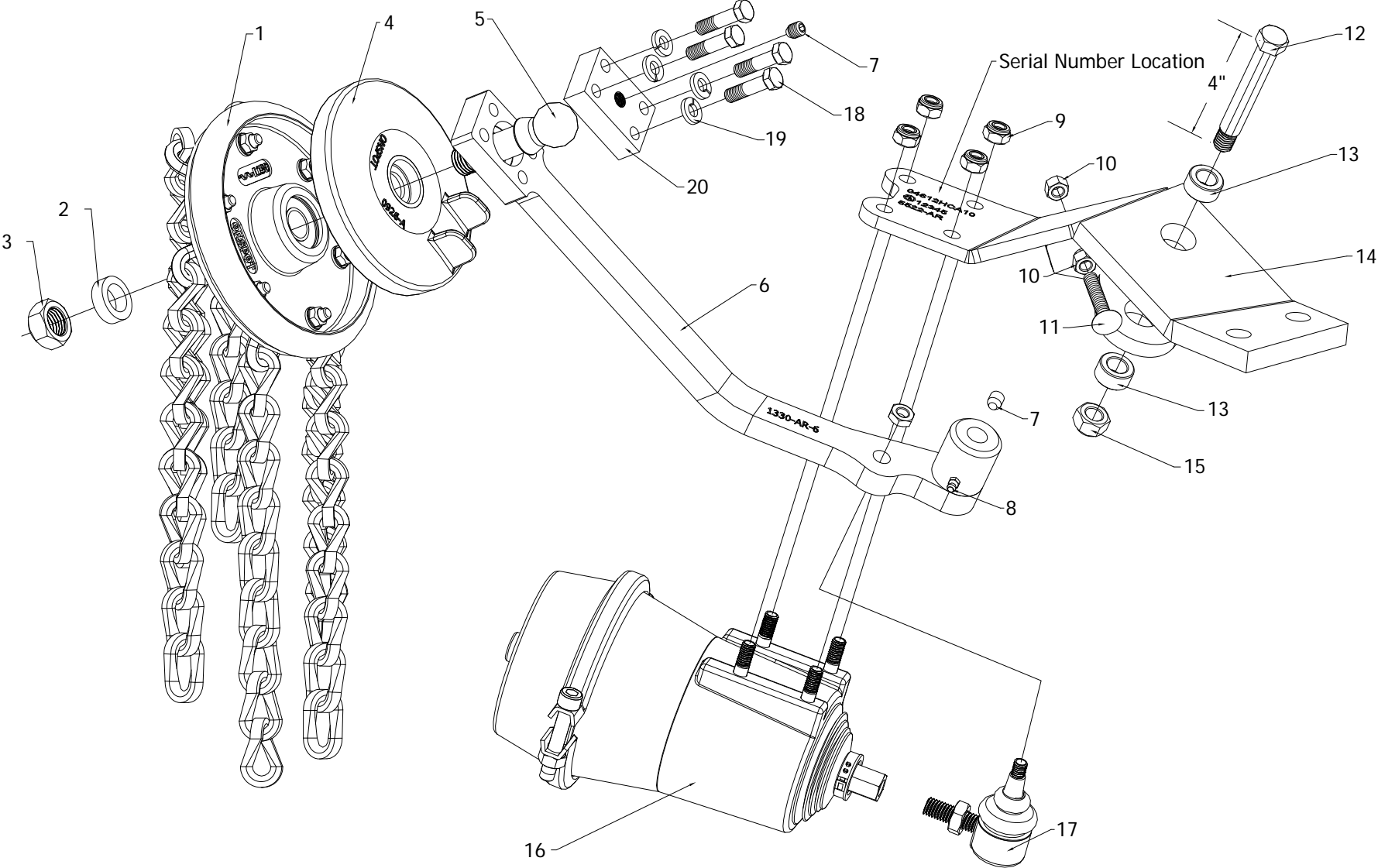
Automatic Tire Chains

Ref. No.	Part Number	Description
1	0925-AR	Complete Chainwheel Right Side (See Page 12: for Chainwheel Components)
	0925-AL	Complete Chainwheel Left Side
4	0926-A	Chainwheel Helmet
2	0450-A	Chainwheel Spacer
3	5211-A	M20 x 2.5 Chainwheel Bolt Nut
5	5222-A	M20 x 2.5 x 100mm Chainwheel Bolt
6	1330-AR	Arm for Right Side
	1330-AL	Arm for Left Side
7	1078-A	3/8-24 x 1/2" Set Screw
8	1026-A	1/4-28 Zinc Fitting
9	41755	M10 x 1.5 Nylock Nut
10	31203	3/8-16 Nut
11	21821	3/8-16 x 2" Carriage Bolt as Stop Bolt
12	1077-B	Arm Bolt 4" Length
13	5487-A	Oilyte Bushing (2 per Cylinder Bracket)
14	5522-AR	Cylinder Bracket Right Side (Ships with Oilyte Bushing Installed)
	5522-AL	Cylinder Bracket Left Side
15	5365-A	M14 x 2.0 Arm Bolt Grip Nut
16	1037-A	Complete Cylinder (See Page 162 for Cylinder Components)
17	1005-A	Angle Joint
	04600-AR	Complete Right Side Assembly without Chainwheel and Helmet
	04600-AL	Complete Left Side Assembly without Chainwheel and Helmet
		Chainwheel Bolt Kit Includes
	5564-A	(1) 5222-A M20 x 2.5 x 100mm Chainwheel Bolt
		(2) 0450-A Chainwheel Spacer
		(1) 5211-A M20 x 2.5 Chainwheel Bolt Nut
		Arm Bearing Kit Includes
	5559-D	(1) 1077-B Arm Bolt 4" Length
		(1) 1078-A 3/8-24 x 1/2" Set Screw
		(2) 5487-A Oilyte Bushing
		(1) 5365-A M14 x 2.0 Arm Bolt Grip Nut

NOTE: Right (Passenger) side and Left (Driver) side part numbers apply for chains mounted forward of axle.

Model 04601A9

Right Side Shown





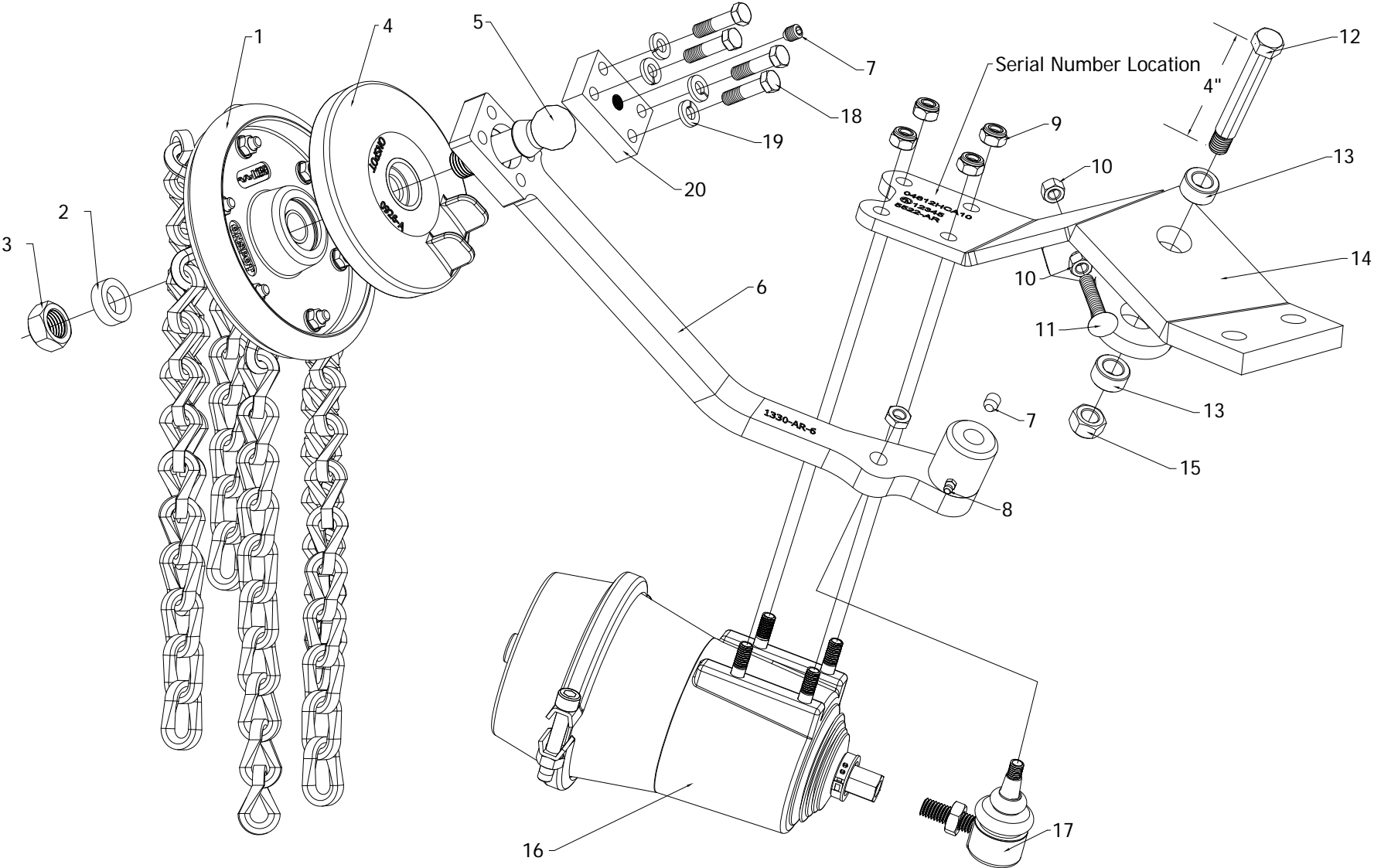
Automatic Tire Chains

Ref. No.	Part Number	Description
1	0925-AR-9	Complete Chainwheel Right Side (See Page 12: for Chainwheel Components)
	0925-AL-9	Complete Chainwheel Left Side
4	0926-A	Chainwheel Helmet
2	0450-A	Chainwheel Spacer
3	5211-A	M20 x 2.5 Chainwheel Bolt Nut
5	5262-A	M20 x 2.5 x 2 3/8" Adjustable Chainwheel Bolt
6	1330-AR-6	Arm for Right Side (Ships with Items 2, 3, 5, 7, 8, 18, 19, and 20)
	1330-AL-6	Arm for Left Side (Ships with Items 2, 3, 5, 7, 8, 18, 19, and 20)
7	1078-A	3/8-46 x 1/2" Set Screw
8	1026-A	1/4-28 Zirc Fitting
9	41755	M10 x 1.5 Nylock Nut
10	31203	3/8-16 Nut
11	21821	3/8-16 x 2" Carriage Bolt as Stop Bolt
12	1077-B	Arm Bolt 4" Length
13	5487-A	Oilyte Bushing (2 per Cylinder Bracket)
14	5522-AR	Cylinder Bracket Right Side (Ships with Oilyte Bushing Installed)
	5522-AL	Cylinder Bracket Left Side
15	5365-A	M14 x 2.0 Arm Bolt Grip Nut
16	1037-B	Complete Cylinder (See Page 162 for Cylinder Components)
17	1005-A	Angle Joint
18	39056	3/8-16 x 1 1/2" Adjustable Arm Retainer Capscrew
19	39727	3/8" Adjustable Arm Lock Washer
20	7132-A	Retainer for Adjustable Arm Bolt
	04600A-AR	Complete Right Side Assembly without Chainwheel and Helmet
	04600A-AL	Complete Left Side Assembly without Chainwheel and Helmet
		Chainwheel Bolt Kit Includes
	5568-A	(1) 5262-A M20 x 2.5 x 2 3/8" Adjustable Chainwheel Bolt
		(1) 0450-A Chainwheel Spacer
		(1) 5211-A M20 x 2.5 Chainwheel Bolt Nut
		Arm Bearing Kit Includes
	5559-D	(1) 1077-B Arm Bolt 4" Length
		(1) 1078-A 3/8-46 x 1/2" Set Screw
		(2) 5487-A Oilyte Bushing
		(1) 5365-A M14 x 2.0 Arm Bolt Grip Nut

NOTE: Right (Passenger) side and Left (Driver) side part numbers apply for chains mounted forward of axle.

Model 04601A10

Right Side Shown





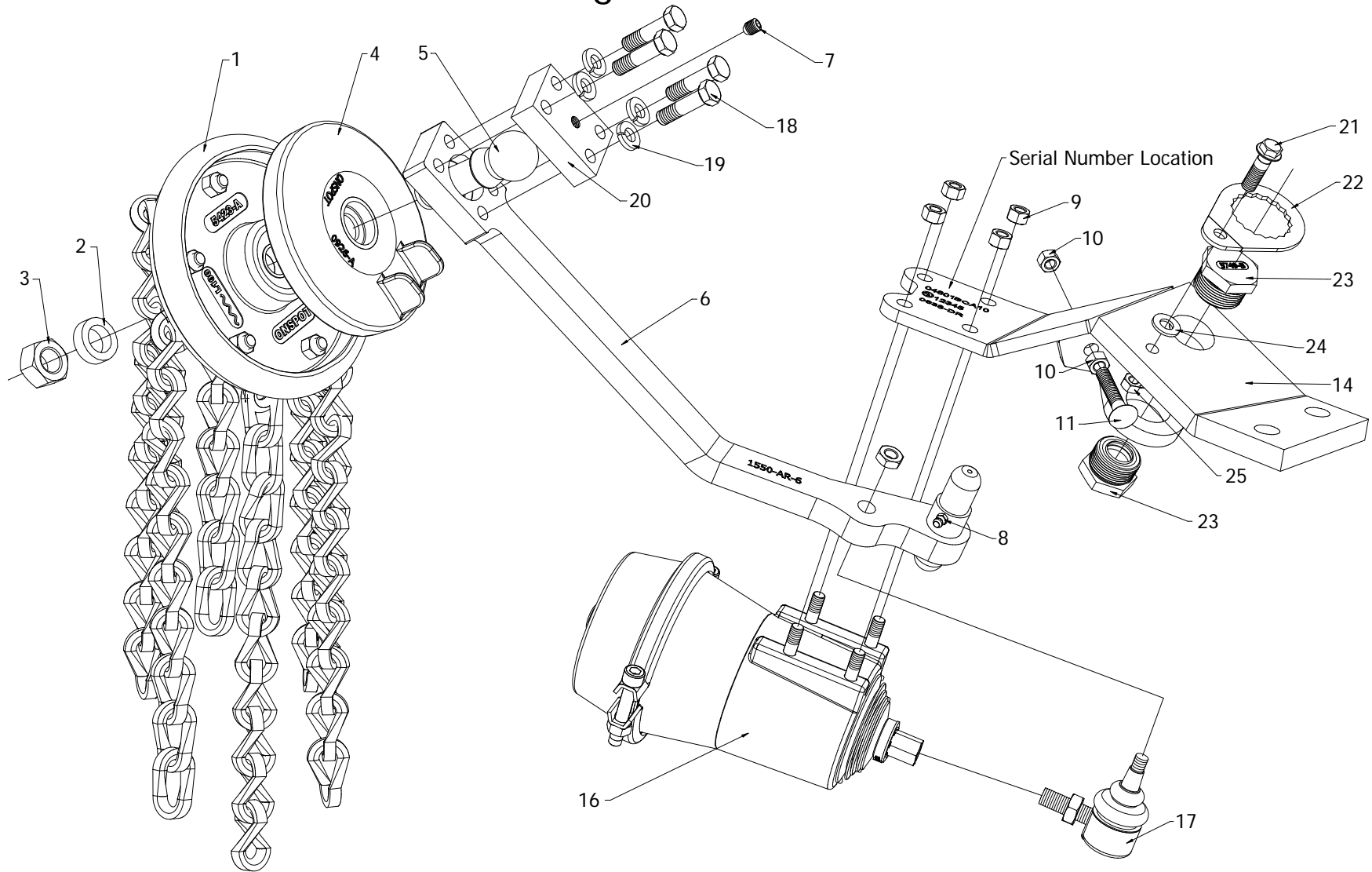
Automatic Tire Chains

Ref. No.	Part Number	Description
1	0925-AR	Complete Chainwheel Right Side (See Page 12: for Chainwheel Components)
	0925-AL	Complete Chainwheel Left Side
4	0926-A	Chainwheel Helmet
2	0450-A	Chainwheel Spacer
3	5211-A	M20 x 2.5 Chainwheel Bolt Nut
5	5262-A	M20 x 2.5 x 2 3/8" Adjustable Chainwheel Bolt
6	1330-AR-6	Arm for Right Side (Ships with Items 2, 3, 5, 7, 8, 18, 19, and 20)
	1330-AL-6	Arm for Left Side (Ships with Items 2, 3, 5, 7, 8, 18, 19, and 20)
7	1078-A	3/8-46 x 1/2" Set Screw
8	1026-A	1/4-28 Zirc Fitting
9	41755	M10 x 1.5 Nylock Nut
10	31203	3/8-16 Nut
11	21821	3/8-16 x 2" Carriage Bolt as Stop Bolt
12	1077-B	Arm Bolt 4" Length
13	5487-A	Oilyte Bushing (2 per Cylinder Bracket)
14	5522-AR	Cylinder Bracket Right Side (Ships with Oilyte Bushing Installed)
	5522-AL	Cylinder Bracket Left Side
15	5365-A	M14 x 2.0 Arm Bolt Grip Nut
16	1037-B	Complete Cylinder (See Page 162 for Cylinder Components)
17	1005-A	Angle Joint
18	39056	3/8-16 x 1 1/2" Adjustable Arm Retainer Capscrew
19	39727	3/8" Adjustable Arm Lock Washer
20	7132-A	Retainer for Adjustable Arm Bolt
	04600A-AR	Complete Right Side Assembly without Chainwheel and Helmet
	04600A-AL	Complete Left Side Assembly without Chainwheel and Helmet
		Chainwheel Bolt Kit Includes
	5568-A	(1) 5262-A M20 x 2.5 x 2 3/8" Adjustable Chainwheel Bolt
		(1) 0450-A Chainwheel Spacer
		(1) 5211-A M20 x 2.5 Chainwheel Bolt Nut
		Arm Bearing Kit Includes
	5559-D	(1) 1077-B Arm Bolt 4" Length
		(1) 1078-A 3/8-46 x 1/2" Set Screw
		(2) 5487-A Oilyte Bushing
		(1) 5365-A M14 x 2.0 Arm Bolt Grip Nut

NOTE: Right (Passenger) side and Left (Driver) side part numbers apply for chains mounted forward of axle.

Model 04601BCA10

Right Side Shown





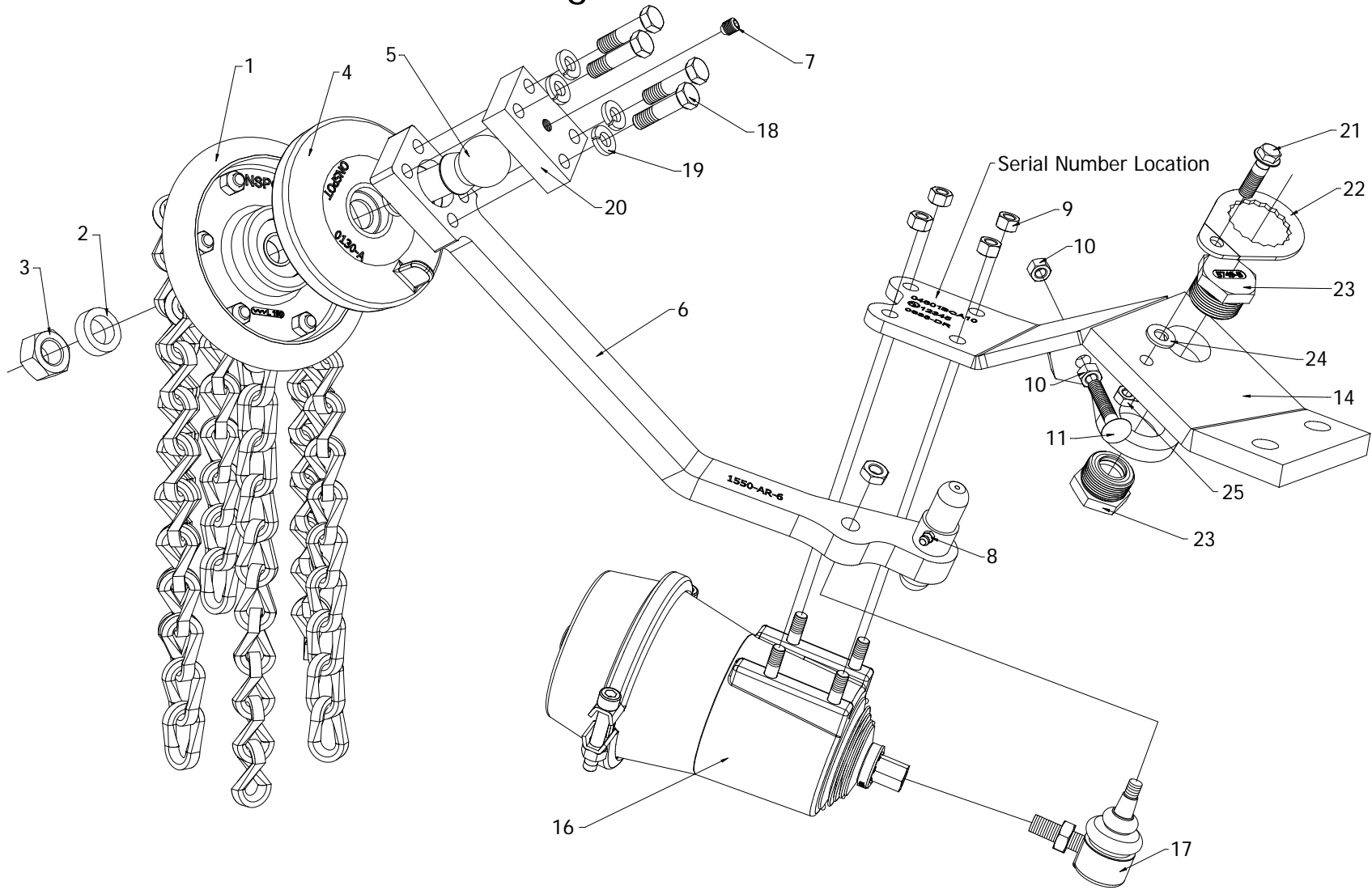
Automatic Tire Chains

Ref. No.	Part Number	Description
1	0925-AR	Complete Chainwheel Right Side (See Page 12: for Chainwheel Components)
	0925-AL	Complete Chainwheel Left Side
4	0926-A	Chainwheel Helmet
2	0450-A	Chainwheel Spacer
3	5211-A	M20 x 2.5 Chainwheel Bolt Nut
5	5262-A	M20 x 2.5 x 2 3/8" Adjustable Chainwheel Bolt
6	1550-AR-6	Arm for Right Side (Ships with Items 2, 3, 5, 7, 8, 18, 19, and 20)
	1550-AL-6	Arm for Left Side (Ships with Items 2, 3, 5, 7, 8, 18, 19, and 20)
7	1078-A	3/8-24 x 1/2" Set Screw
8	1026-A	1/4-28 Zinc Fitting
9	41755	M10 x 1.5 Nylock Nut
10	31203	3/8-16 Nut
11	21821	3/8-16 x 2" Carriage Bolt as Stop Bolt
14	0638-DR	Cylinder Bracket Right Side (Ships without Brass Caps)
	0638-DL	Cylinder Bracket Left Side
16	1037-A	Complete Cylinder (See Page 162 for Cylinder Components)
17	1005-A	Angle Joint
18	39056	3/8-16 x 1 1/2" Adjustable Arm Retainer Capscrew
19	39727	3/8" Adjustable Arm Lock Washer
20	7132-B	Retainer for Adjustable Arm Bolt
21	19657	5/16-18 x 1 1/4" Serrated Flange Head Bolt
22	5750-A	Brass Cap Holder
23	5749-B	Arm Pivot Brass Cap
24	33815	3/8" Flat Washer
25	37262	5/16-18 Top Lock Nut
	04600BCA-AR	Complete Right Side Assembly without Chainwheel and Helmet
	04600BCA-AL	Complete Left Side Assembly without Chainwheel and Helmet
		Chainwheel Bolt Kit Includes
	5568-A	(1) 5262-A M20 x 2.5 x 2 3/8" Adjustable Chainwheel Bolt
		(1) 0450-A Chainwheel Spacer
		(1) 5211-A M20 x 2.5 Chainwheel Bolt Nut
		Hex Brass Cap Holder Kit Includes
	5570-A	(1) 5750-A Brass Cap Holder
		(1) 19657 5/16-18 x 1 1/4" Serrated Flange Head Bolt
		(1) 33815 3/8" Flat Washer
		(1) 37262 5/16-18 Top Lock Nut

NOTE: Right (Passenger) side and Left (Driver) side part numbers apply for chains mounted forward of axle.

Model 04602BCA10

Right Side Shown





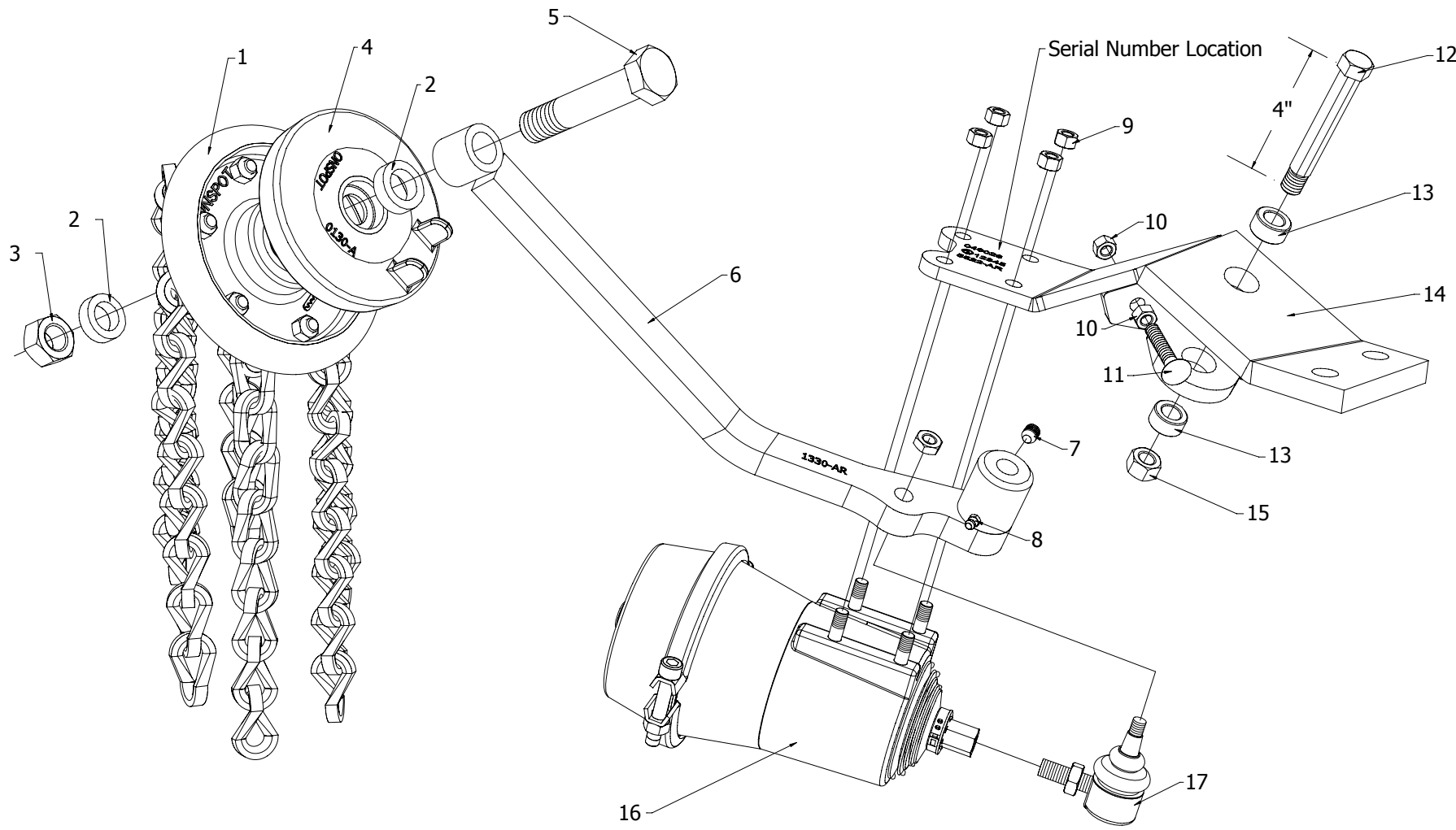
Automatic Tire Chains

Ref. No.	Part Number	Description
1	1392-AR-10	Complete Chainwheel Right Side (See Page 152 for Chainwheel Components)
	1392-AL-10	Complete Chainwheel Left Side
4	0130-A	Chainwheel Helmet
2	0450-A	Chainwheel Spacer
3	5211-A	M20 x 2.5 Chainwheel Bolt Nut
5	5262-A	M20 x 2.5 x 2 3/8" Adjustable Chainwheel Bolt
6	1550-AR-6	Arm for Right Side (Ships with Items 2, 3, 5, 7, 8, 18, 19, and 20)
	1550-AL-6	Arm for Left Side (Ships with Items 2, 3, 5, 7, 8, 18, 19, and 20)
7	1078-A	3/8-24 x 1/2" Set Screw
8	1026-A	1/4-28 Zinc Fitting
9	41755	M10 x 1.5 Nylock Nut
10	31203	3/8-16 Nut
11	21821	3/8-16 x 2" Carriage Bolt as Stop Bolt
14	0638-DR	Cylinder Bracket Right Side (Ships without Brass Caps)
	0638-DL	Cylinder Bracket Left Side
16	1037-A	Complete Cylinder (See Page 162 for Cylinder Components)
17	1005-A	Angle Joint
18	39056	3/8-16 x 1 1/2" Adjustable Arm Retainer Capscrew
19	39727	3/8" Adjustable Arm Lock Washer
20	7132-B	Retainer for Adjustable Arm Bolt
21	19657	5/16-18 x 1 1/4" Serrated Flange Head Bolt
22	5750-A	Brass Cap Holder
23	5749-B	Arm Pivot Brass Cap
24	33815	3/8" Flat Washer
25	37262	5/16-18 Top Lock Nut
	04600BCA-AR	Complete Right Side Assembly without Chainwheel and Helmet
	04600BCA-AL	Complete Left Side Assembly without Chainwheel and Helmet
		Chainwheel Bolt Kit Includes
	5568-A	(1) 5262-A M20 x 2.5 x 2 3/8" Adjustable Chainwheel Bolt
		(1) 0450-A Chainwheel Spacer
		(1) 5211-A M20 x 2.5 Chainwheel Bolt Nut
		Hex Brass Cap Holder Kit Includes
	5570-A	(1) 5750-A Brass Cap Holder
		(1) 19657 5/16-18 x 1 1/4" Serrated Flange Head Bolt
		(1) 33815 3/8" Flat Washer
		(1) 37262 5/16-18 Top Lock Nut

NOTE: Right (Passenger) side and Left (Driver) side part numbers apply for chains mounted forward of axle.

Model 046028

Right Side Shown





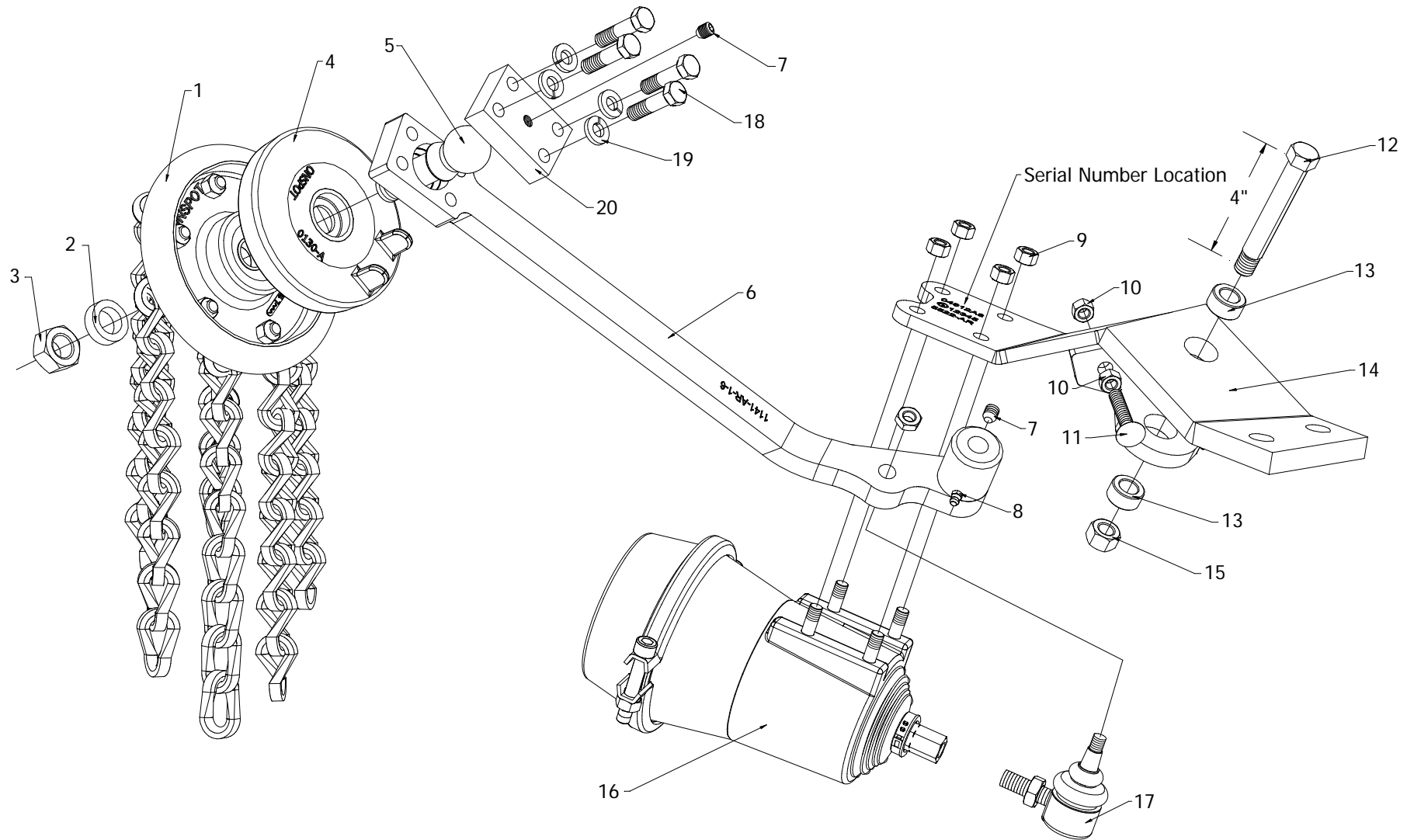
Automatic Tire Chains

Ref. No.	Part Number	Description
1	1392-AR-8	Complete Chainwheel Right Side (See Page 152 for Chainwheel Components)
	1392-AL-8	Complete Chainwheel Left Side
4	0130-A	Chainwheel Helmet
2	0450-A	Chainwheel Spacer
3	5211-A	M20 x 2.5 Chainwheel Bolt Nut
5	5222-A	M20 x 2.5 x 100mm Chainwheel Bolt
6	1330-AR	Arm for Right Side
	1330-AL	Arm for Left Side
7	1078-A	3/8-24 x 1/2" Set Screw
8	1026-A	1/4-28 Zinc Fitting
9	41755	M10 x 1.5 Nylock Nut
10	31203	3/8-16 Nut
11	21821	3/8-16 x 2" Carriage Bolt as Stop Bolt
12	1077-B	Arm Bolt 4" Length
13	5487-A	Oilyte Bushing (2 per Cylinder Bracket)
14	5522-AR	Cylinder Bracket Right Side (Ships with Oilyte Bushing Installed)
	5522-AL	Cylinder Bracket Left Side
15	5365-A	M14 x 2.0 Arm Bolt Grip Nut
16	1037-A	Complete Cylinder (See Page 162"for Cylinder Components)
17	1005-A	Angle Joint
	04600-AR	Complete Right Side Assembly without Chainwheel and Helmet
	04600-AL	Complete Left Side Assembly without Chainwheel and Helmet
		Chainwheel Bolt Kit Includes
	5564-A	(1) 5222-A M20 x 2.5 x 100mm Chainwheel Bolt
		(2) 0450-A Chainwheel Spacer
		(1) 5211-A M20 x 2.5 Chainwheel Bolt Nut
		Arm Bearing Kit Includes
	5559-D	(1) 1077-B Arm Bolt 4" Length
		(1) 1078-A 3/8-24 x 1/2" Set Screw
		(2) 5487-A Oilyte Bushing
		(1) 5365-A M14 x 2.0 Arm Bolt Grip Nut

NOTE: Right (Passenger) side and Left (Driver) side part numbers apply for chains mounted forward of axle.

Model 04612HCA8

Right Side Shown





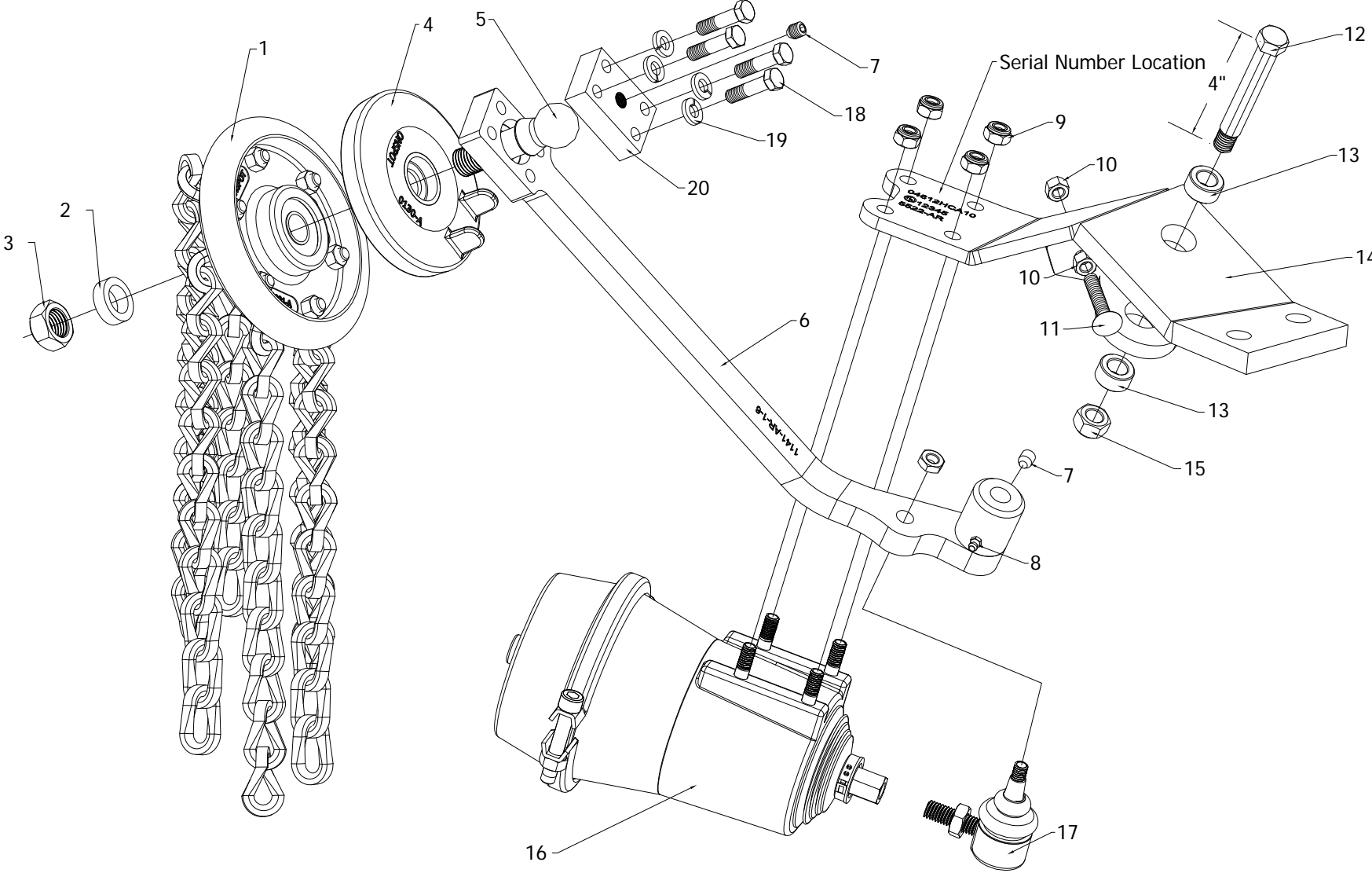
Automatic Tire Chains

Ref. No.	Part Number	Description
1	1392-AR-8	Complete Chainwheel Right Side (See Page 152 for Chainwheel Components)
	1392-AL-8	Complete Chainwheel Left Side
4	0130-A	Chainwheel Helmet
2	0450-A	Chainwheel Spacer
3	5211-A	M20 x 2.5 Chainwheel Bolt Nut
5	5262-A	M20 x 2.5 x 2 3/8" Adjustable Chainwheel Bolt
6	1141-AR-1-6	Arm for Right Side (Ships with Items 2, 3, 5, 7, 8, 18, 19, and 20)
	1141-AL-1-6	Arm for Left Side (Ships with Items 2, 3, 5, 7, 8, 18, 19, and 20)
7	1078-A	3/8-24 x 1/2" Set Screw
8	1026-A	1/4-28 Zinc Fitting
9	41755	M10 x 1.5 Nylock Nut
10	31203	3/8-16 Nut
11	21821	3/8-16 x 2" Carriage Bolt as Stop Bolt
12	1077-B	Arm Bolt 4" Length
13	5487-A	Oilyte Bushing (2 per Cylinder Bracket)
14	5522-AR	Cylinder Bracket Right Side (Ships with Oilyte Bushing Installed)
	5522-AL	Cylinder Bracket Left Side
15	5365-A	M14 x 2.0 Arm Bolt Grip Nut
16	1037-A	Complete Cylinder (See Page 162 for Cylinder Components)
17	1005-A	Angle Joint
18	39056	3/8-16 x 1 1/2" Adjustable Arm Retainer Capscrew
19	39727	3/8" Adjustable Arm Lock Washer
20	7132-B	Retainer for Adjustable Arm Bolt
	04610HCA-AR	Complete Right Side Assembly without Chainwheel and Helmet
	04610HCA-AL	Complete Left Side Assembly without Chainwheel and Helmet
		Chainwheel Bolt Kit Includes
	5568-A	(1) 5262-A M20 x 2.5 x 2 3/8" Adjustable Chainwheel Bolt
		(1) 0450-A Chainwheel Spacer
		(1) 5211-A M20 x 2.5 Chainwheel Bolt Nut
		Arm Bearing Kit Includes
	5559-D	(1) 1077-B Arm Bolt 4" Length
		(1) 1078-A 3/8-24 x 1/2" Set Screw
		(2) 5487-A Oilyte Bushing
		(1) 5365-A M14 x 2.0 Arm Bolt Grip Nut

NOTE: Right (Passenger) side and Left (Driver) side part numbers apply for chains mounted forward of axle.

Model 04612HCA10

Right Side Shown





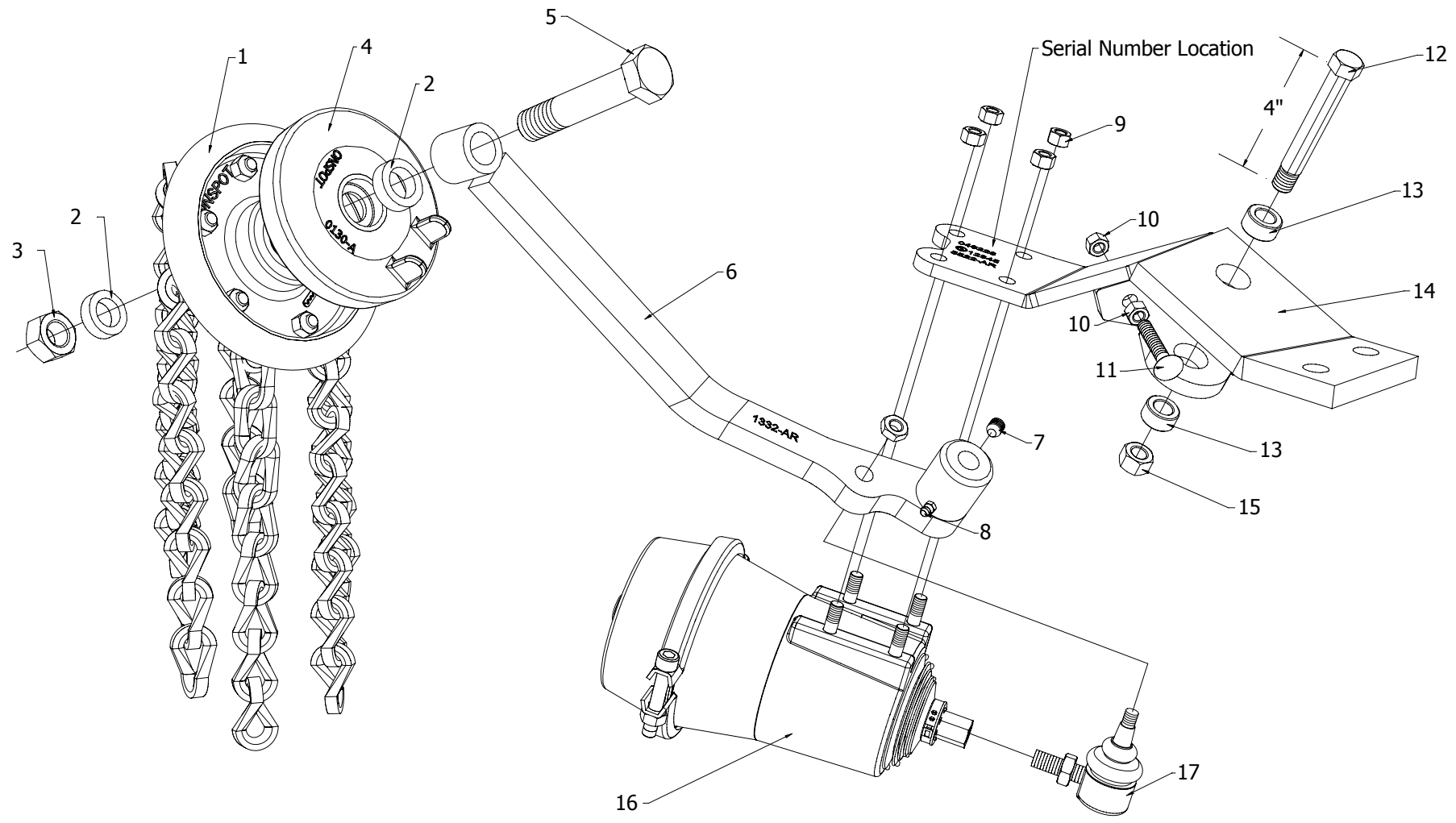
Automatic Tire Chains

Ref. No.	Part Number	Description
1	1392-AR-10	Complete Chainwheel Right Side (See Page 152 for Chainwheel Components)
	1392-AL-10	Complete Chainwheel Left Side
4	0130-A	Chainwheel Helmet
2	0450-A	Chainwheel Spacer
3	5211-A	M20 x 2.5 Chainwheel Bolt Nut
5	5262-A	M20 x 2.5 x 2 3/8" Adjustable Chainwheel Bolt
6	1141-AR-1-6	Arm for Right Side (Ships with Items 2, 3, 5, 7, 8, 18, 19, and 20)
	1141-AL-1-6	Arm for Left Side (Ships with Items 2, 3, 5, 7, 8, 18, 19, and 20)
7	1078-A	3/8-46 x 1/2" Set Screw
8	1026-A	1/4-28 Zirc Fitting
9	41755	M10 x 1.5 Nylock Nut
10	31203	3/8-16 Nut
11	21821	3/8-16 x 2" Carriage Bolt as Stop Bolt
12	1077-B	Arm Bolt 4" Length
13	5487-A	Oilyte Bushing (2 per Cylinder Bracket)
14	5522-AR	Cylinder Bracket Right Side (Ships with Oilyte Bushing Installed)
	5522-AL	Cylinder Bracket Left Side
15	5365-A	M14 x 2.0 Arm Bolt Grip Nut
16	1037-B	Complete Cylinder (See Page 162 for Cylinder Components)
17	1005-A	Angle Joint
18	39056	3/8-16 x 1 1/2" Adjustable Arm Retainer Capscrew
19	39727	3/8" Adjustable Arm Lock Washer
20	7132-A	Retainer for Adjustable Arm Bolt
	04610HCA-AR	Complete Right Side Assembly without Chainwheel and Helmet
	04610HCA-AL	Complete Left Side Assembly without Chainwheel and Helmet
		Chainwheel Bolt Kit Includes
	5568-A	(1) 5262-A M20 x 2.5 x 2 3/8" Adjustable Chainwheel Bolt
		(1) 0450-A Chainwheel Spacer
		(1) 5211-A M20 x 2.5 Chainwheel Bolt Nut
		Arm Bearing Kit Includes
	5559-D	(1) 1077-B Arm Bolt 4" Length
		(1) 1078-A 3/8-46 x 1/2" Set Screw
		(2) 5487-A Oilyte Bushing
		(1) 5365-A M14 x 2.0 Arm Bolt Grip Nut

NOTE: Right (Passenger) side and Left (Driver) side part numbers apply for chains mounted forward of axle.

Model 046228

Right Side Shown





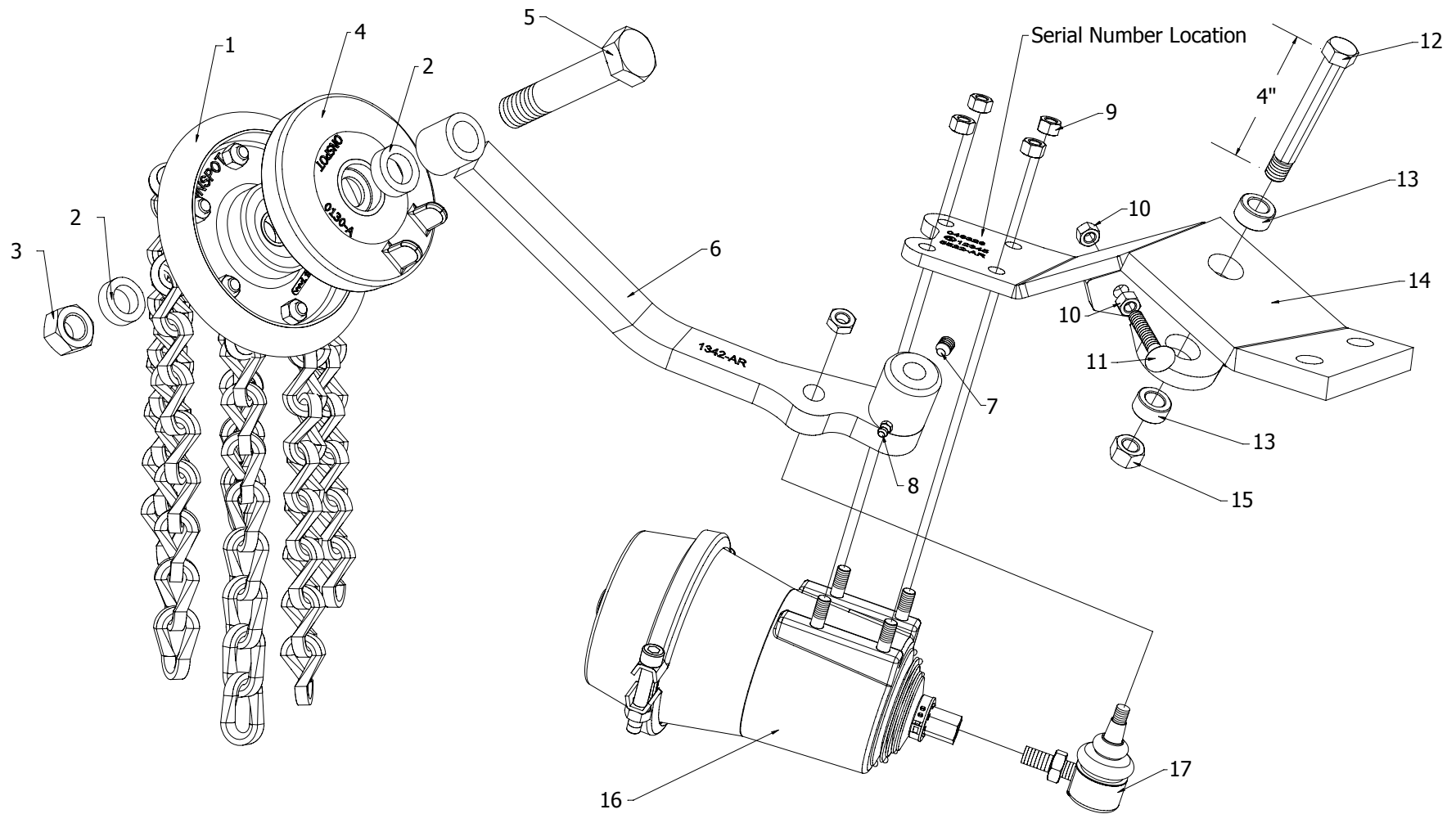
Automatic Tire Chains

Ref. No.	Part Number	Description
1	1392-AR-8	Complete Chainwheel Right Side (See Page 152 for Chainwheel Components)
	1392-AL-8	Complete Chainwheel Left Side
4	0130-A	Chainwheel Helmet
2	0450-A	Chainwheel Spacer
3	5211-A	M20 x 2.5 Chainwheel Bolt Nut
5	5222-A	M20 x 2.5 x 100mm Chainwheel Bolt
6	1332-AR	Arm for Right Side
	1332-AL	Arm for Left Side
7	1078-A	3/8-24 x 1/2" Set Screw
8	1026-A	1/4-28 Zinc Fitting
9	41755	M10 x 1.5 Nylock Nut
10	31203	3/8-16 Nut
11	21821	3/8-16 x 2" Carriage Bolt as Stop Bolt
12	1077-B	Arm Bolt 4" Length
13	5487-A	Oilyte Bushing (2 per Cylinder Bracket)
14	5522-AR	Cylinder Bracket Right Side (Ships with Oilyte Bushing Installed)
	5522-AL	Cylinder Bracket Left Side
15	5365-A	M14 x 2.0 Arm Bolt Grip Nut
16	1037-A	Complete Cylinder (See Page 162 for Cylinder Components)
17	1005-A	Angle Joint
	04600-AR	Complete Right Side Assembly without Chainwheel and Helmet
	04600-AL	Complete Left Side Assembly without Chainwheel and Helmet
		Chainwheel Bolt Kit Includes
	5564-A	(1) 5222-A M20 x 2.5 x 100mm Chainwheel Bolt
		(2) 0450-A Chainwheel Spacer
		(1) 5211-A M20 x 2.5 Chainwheel Bolt Nut
		Arm Bearing Kit Includes
	5559-D	(1) 1077-B Arm Bolt 4" Length
		(1) 1078-A 3/8-24 x 1/2" Set Screw
		(2) 5487-A Oilyte Bushing
		(1) 5365-A M14 x 2.0 Arm Bolt Grip Nut

NOTE: Right (Passenger) side and Left (Driver) side part numbers apply for chains mounted forward of axle.

Model 046328

Right Side Shown





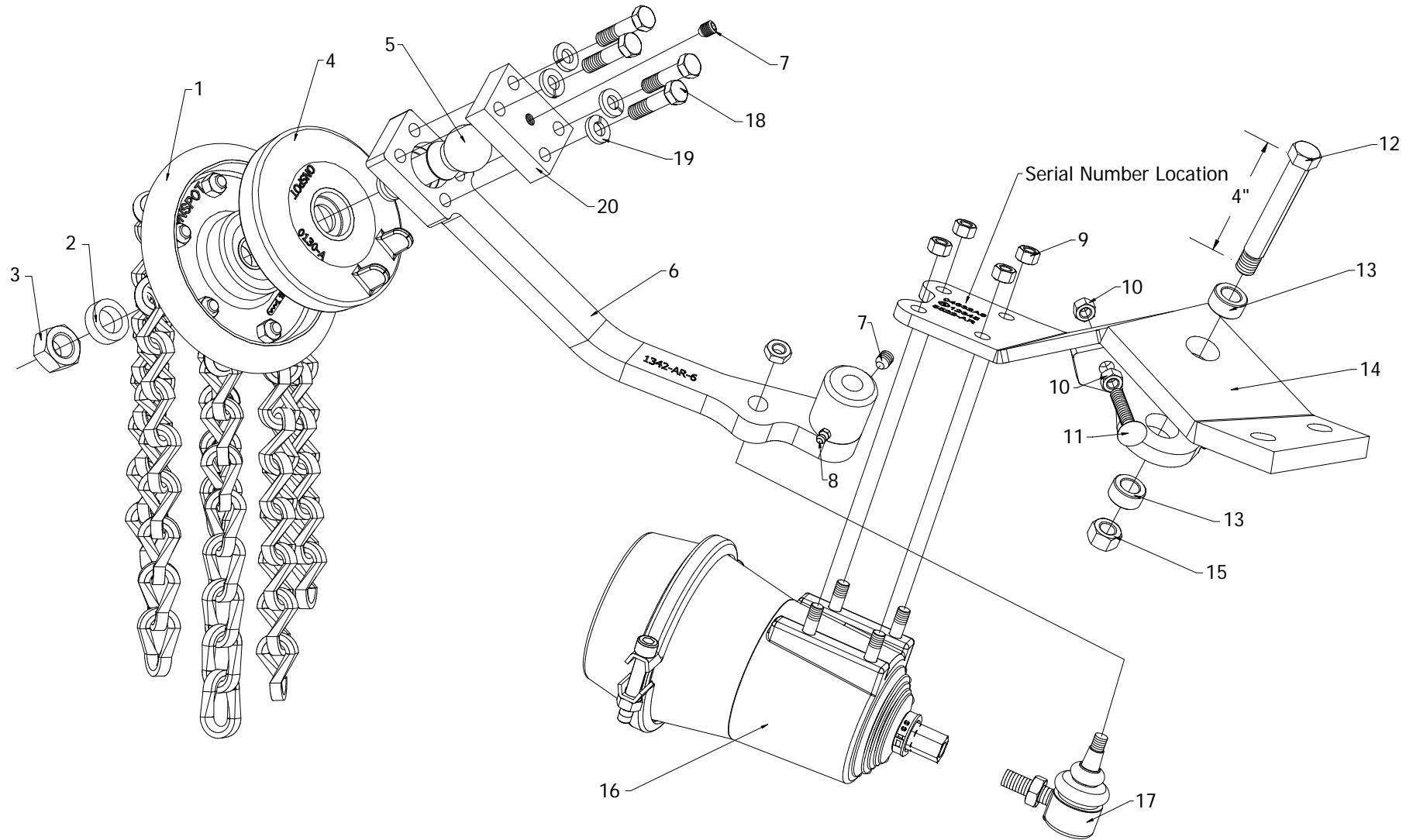
Automatic Tire Chains

Ref. No.	Part Number	Description
1	1392-AR-8	Complete Chainwheel Right Side (See Page 152 for Chainwheel Components)
	1392-AL-8	Complete Chainwheel Left Side
4	0130-A	Chainwheel Helmet
2	0450-A	Chainwheel Spacer
3	5211-A	M20 x 2.5 Chainwheel Bolt Nut
5	5222-A	M20 x 2.5 x 100mm Chainwheel Bolt
6	1342-AR	Arm for Right Side
	1342-AL	Arm for Left Side
7	1078-A	3/8-24 x 1/2" Set Screw
8	1026-A	1/4-28 Zinc Fitting
9	41755	M10 x 1.5 Nylock Nut
10	31203	3/8-16 Nut
11	21821	3/8-16 x 2" Carriage Bolt as Stop Bolt
12	1077-B	Arm Bolt 4" Length
13	5487-A	Oilyte Bushing (2 per Cylinder Bracket)
14	5522-AR	Cylinder Bracket Right Side (Ships with Oilyte Bushing Installed)
	5522-AL	Cylinder Bracket Left Side
15	5365-A	M14 x 2.0 Arm Bolt Grip Nut
16	1037-A	Complete Cylinder (See Page 162 for Cylinder Components)
17	1005-A	Angle Joint
	04630-AR	Complete Right Side Assembly without Chainwheel and Helmet
	04630-AL	Complete Left Side Assembly without Chainwheel and Helmet
		Chainwheel Bolt Kit Includes
	5564-A	(1) 5222-A M20 x 2.5 x 100mm Chainwheel Bolt
		(2) 0450-A Chainwheel Spacer
		(1) 5211-A M20 x 2.5 Chainwheel Bolt Nut
		Arm Bearing Kit Includes
	5559-D	(1) 1077-B Arm Bolt 4" Length
		(1) 1078-A 3/8-24 x 1/2" Set Screw
		(2) 5487-A Oilyte Bushing
		(1) 5365-A M14 x 2.0 Arm Bolt Grip Nut

NOTE: Right (Passenger) side and Left (Driver) side part numbers apply for chains mounted forward of axle.

Model 04632A8

Right Side Shown





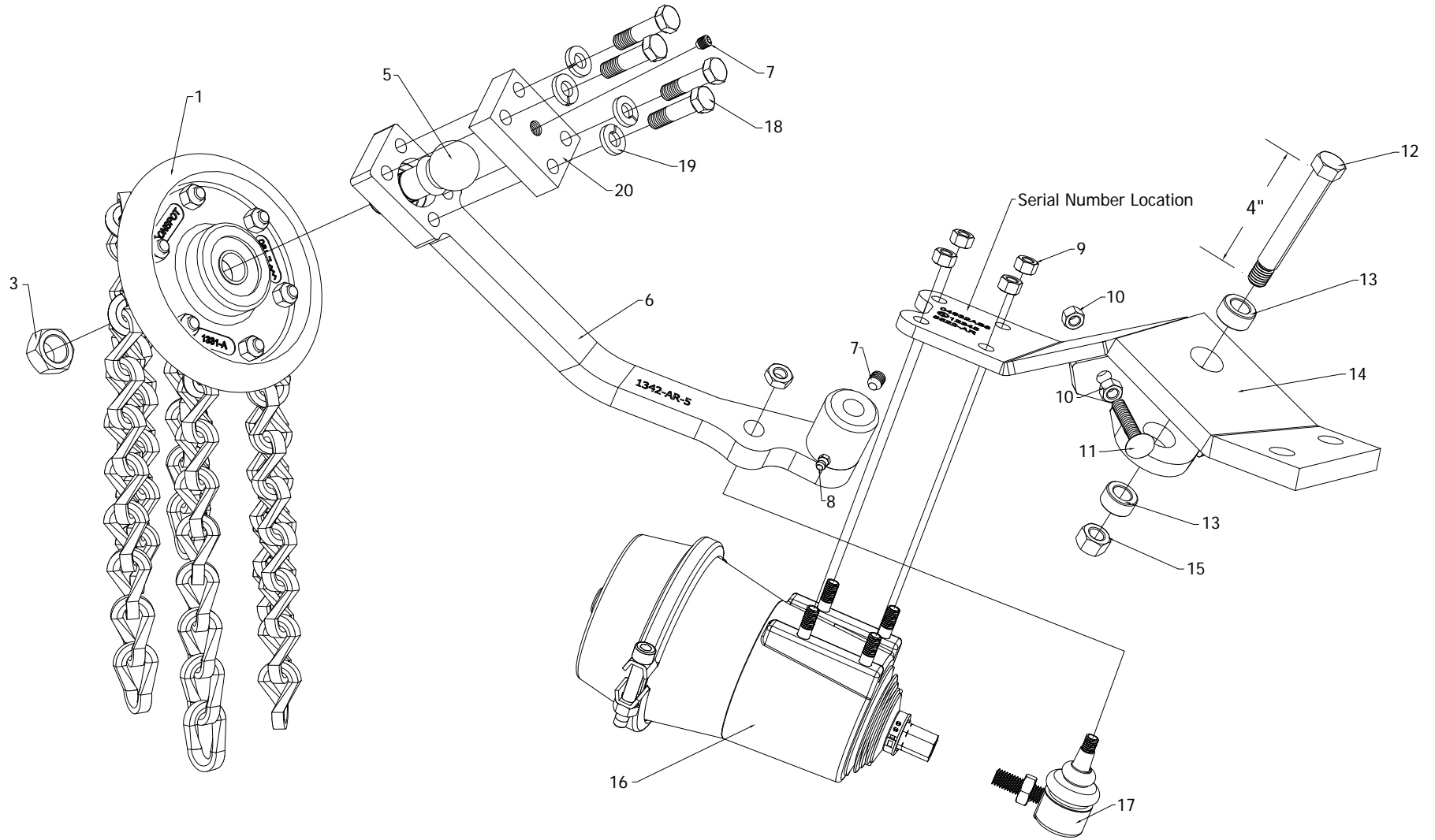
Automatic Tire Chains

Ref. No.	Part Number	Description
1	1392-AR-8	Complete Chainwheel Right Side (See Page 152 for Chainwheel Components)
	1392-AL-8	Complete Chainwheel Left Side
4	0130-A	Chainwheel Helmet
2	0450-A	Chainwheel Spacer
3	5211-A	M20 x 2.5 Chainwheel Bolt Nut
5	5262-A	M20 x 2.5 x 2 3/8" Adjustable Chainwheel Bolt
6	1342-AR-6	Arm for Right Side (Ships with Items 2, 3, 5, 7, 8, 18, 19, and 20)
	1342-AL-6	Arm for Left Side (Ships with Items 2, 3, 5, 7, 8, 18, 19, and 20)
7	1078-A	3/8-24 x 1/2" Set Screw
8	1026-A	1/4-28 Zinc Fitting
9	41755	M10 x 1.5 Nylock Nut
10	31203	3/8-16 Nut
11	21821	3/8-16 x 2" Carriage Bolt as Stop Bolt
12	1077-B	Arm Bolt 4" Length
13	5487-A	Oilyte Bushing (2 per Cylinder Bracket)
14	5522-AR	Cylinder Bracket Right Side (Ships with Oilyte Bushing Installed)
	5522-AL	Cylinder Bracket Left Side
15	5365-A	M14 x 2.0 Arm Bolt Grip Nut
16	1037-A	Complete Cylinder (See Page 162 for Cylinder Components)
17	1005-A	Angle Joint
18	39056	3/8-16 x 1 1/2" Adjustable Arm Retainer Capscrew
19	39727	3/8" Adjustable Arm Lock Washer
20	7132-B	Retainer for Adjustable Arm Bolt
	04630A-AR	Complete Right Side Assembly without Chainwheel and Helmet
	04630A-AL	Complete Left Side Assembly without Chainwheel and Helmet
		Chainwheel Bolt Kit Includes
	5568-A	(1) 5262-A M20 x 2.5 x 2 3/8" Adjustable Chainwheel Bolt
		(1) 0450-A Chainwheel Spacer
		(1) 5211-A M20 x 2.5 Chainwheel Bolt Nut
		Arm Bearing Kit Includes
	5559-D	(1) 1077-B Arm Bolt 4" Length
		(1) 1078-A 3/8-24 x 1/2" Set Screw
		(2) 5487-A Oilyte Bushing
		(1) 5365-A M14 x 2.0 Arm Bolt Grip Nut

NOTE: Right (Passenger) side and Left (Driver) side part numbers apply for chains mounted forward of axle.

Model 04632AS8

Right Side Shown





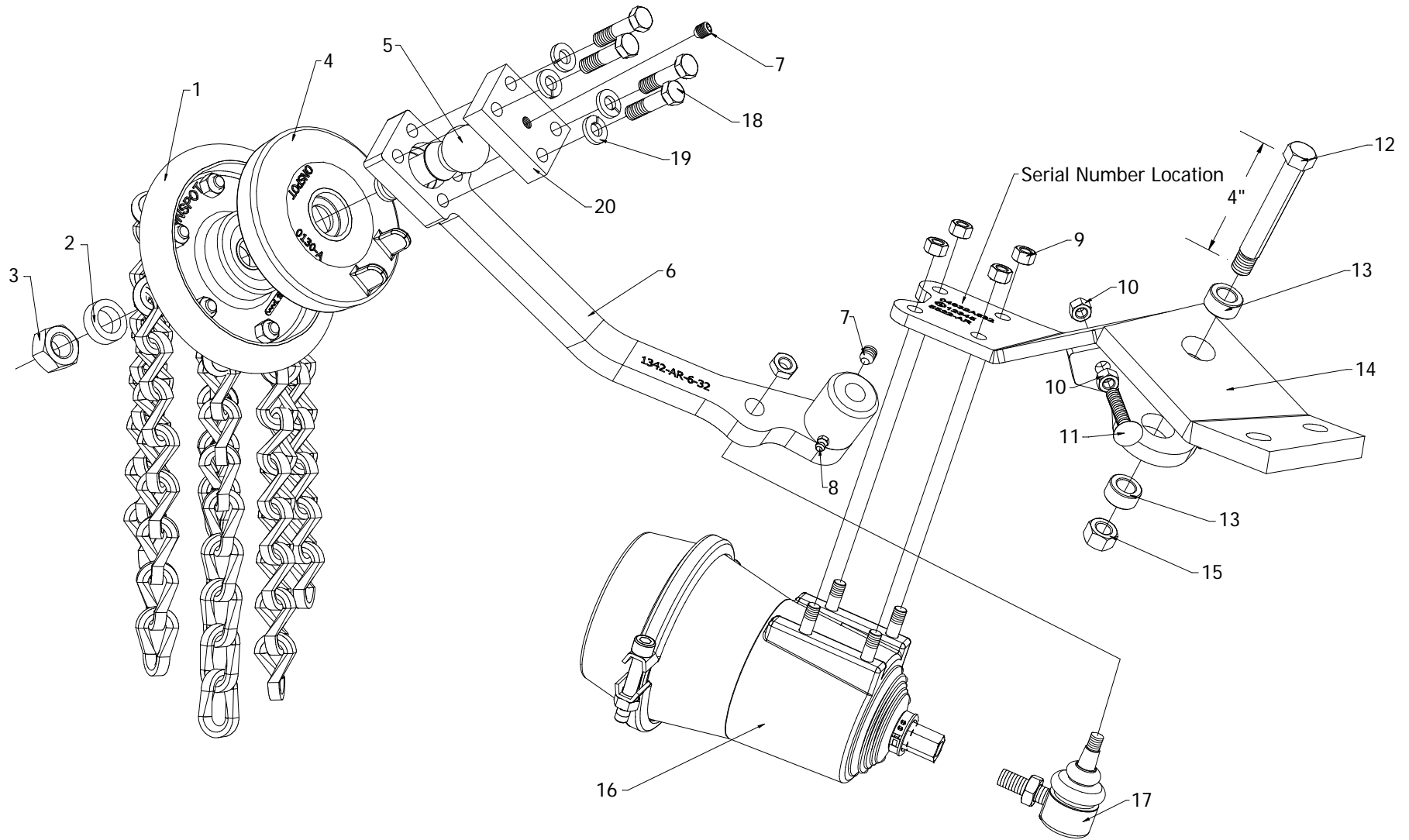
Automatic Tire Chains

Ref. No.	Part Number	Description
1	1392-AR-8	Complete Chainwheel Right Side (See Page 152 for Chainwheel Components)
	1392-AL-8	Complete Chainwheel Left Side
3	5211-A	M20 x 2.5 Chainwheel Bolt Nut
5	5261-A	M20 x 2.5 x 2" Adjustable Chainwheel Bolt
6	1342-AR-5	Arm for Right Side (Ships with Items 2, 3, 5, 7, 8, 18, 19, and 20)
	1342-AL-5	Arm for Left Side (Ships with Items 2, 3, 5, 7, 8, 18, 19, and 20)
7	1078-A	3/8-46 x 1/2" Set Screw
8	1026-A	1/4-28 Zirc Fitting
9	41755	M10 x 1.5 Nylock Nut
10	31203	3/8-16 Nut
11	21821	3/8-16 x 2" Carriage Bolt as Stop Bolt
12	1077-B	Arm Bolt 4" Length
13	5487-A	Oilyte Bushing (2 per Cylinder Bracket)
14	5522-AR	Cylinder Bracket Right Side (Ships with Oilyte Bushing Installed)
	5522-AL	Cylinder Bracket Left Side
15	5365-A	M14 x 2.0 Arm Bolt Grip Nut
16	1037-A	Complete Cylinder (See Page 162 for Cylinder Components)
17	1005-A	Angle Joint
18	39056	3/8-16 x 1 1/2" Adjustable Arm Retainer Capscrew
19	39727	3/8" Adjustable Arm Lock Washer
20	7132-A	Retainer for Adjustable Arm Bolt
	04630AS-AR	Complete Right Side Assembly without Chainwheel and Helmet
	04630AS-AL	Complete Left Side Assembly without Chainwheel and Helmet
		Chainwheel Bolt Kit Includes
	5571-A	(1) 5261-A M20 x 2.5 x 2" Adjustable Chainwheel Bolt
		(1) 5211-A M20 x 2.5 Chainwheel Bolt Nut
		Arm Bearing Kit Includes
	5559-D	(1) 1077-B Arm Bolt 4" Length
		(1) 1078-A 3/8-46 x 1/2" Set Screw
		(2) 5487-A Oilyte Bushing
		(1) 5365-A M14 x 2.0 Arm Bolt Grip Nut

NOTE: Right (Passenger) side and Left (Driver) side part numbers apply for chains mounted forward of axle.

Model 04632A832

Right Side Shown





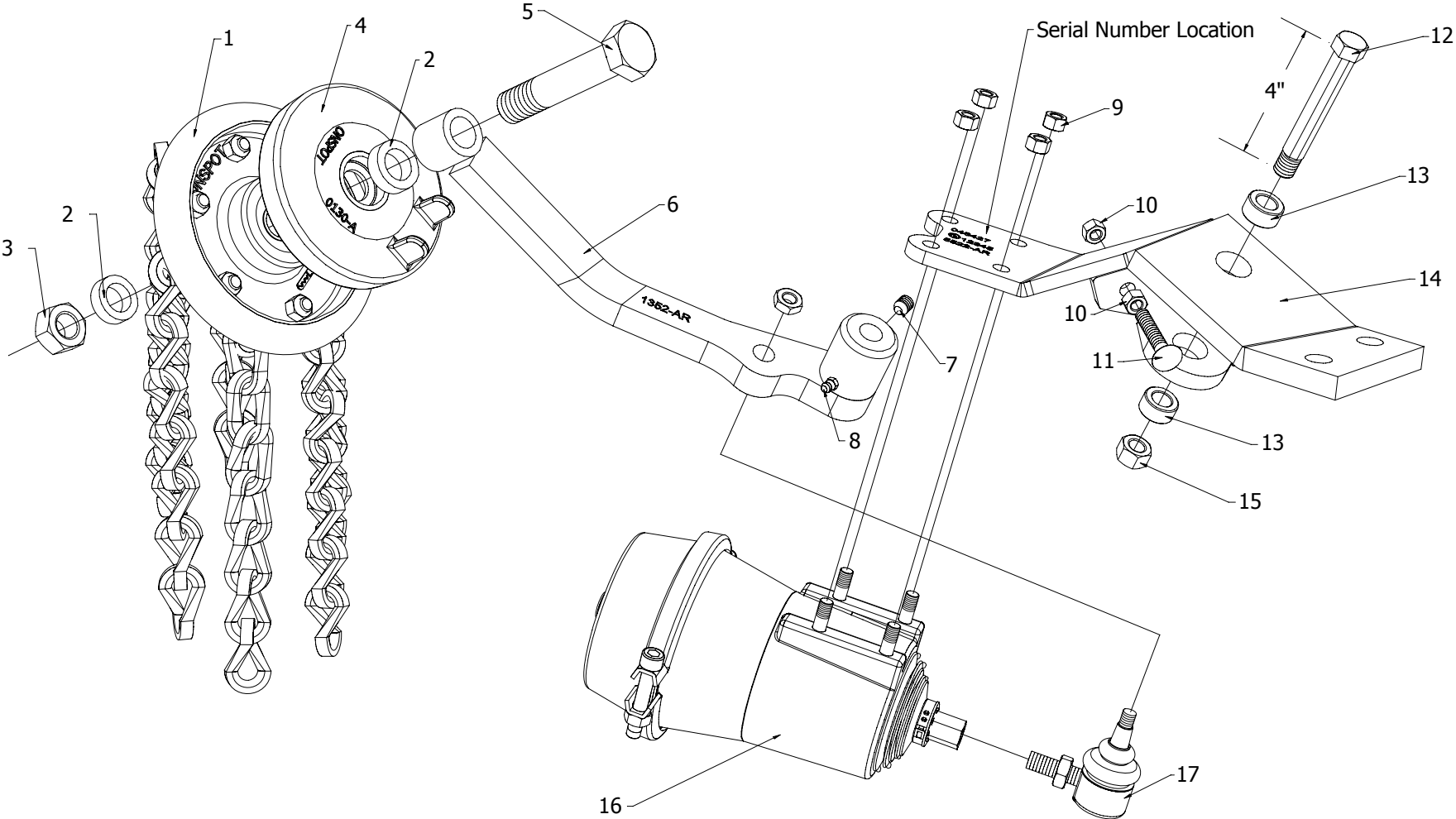
Automatic Tire Chains

Ref. No.	Part Number	Description
1	1392-AR-8	Complete Chainwheel Right Side (See Page 152 for Chainwheel Components)
	1392-AL-8	Complete Chainwheel Left Side
4	0130-A	Chainwheel Helmet
2	0450-A	Chainwheel Spacer
3	5211-A	M20 x 2.5 Chainwheel Bolt Nut
5	5262-A	M20 x 2.5 x 2 3/8" Adjustable Chainwheel Bolt
6	1342-AR-6-32	Arm for Right Side (Ships with Items 2, 3, 5, 7, 8, 18, 19, and 20)
	1342-AL-6-32	Arm for Left Side (Ships with Items 2, 3, 5, 7, 8, 18, 19, and 20)
7	1078-A	3/8-24 x 1/2" Set Screw
8	1026-A	1/4-28 Zinc Fitting
9	41755	M10 x 1.5 Nylock Nut
10	31203	3/8-16 Nut
11	21821	3/8-16 x 2" Carriage Bolt as Stop Bolt
12	1077-B	Arm Bolt 4" Length
13	5487-A	Oilyte Bushing (2 per Cylinder Bracket)
14	5522-AR	Cylinder Bracket Right Side (Ships with Oilyte Bushing Installed)
	5522-AL	Cylinder Bracket Left Side
15	5365-A	M14 x 2.0 Arm Bolt Grip Nut
16	1037-A	Complete Cylinder (See Page 162 for Cylinder Components)
17	1005-A	Angle Joint
18	39056	3/8-16 x 1 1/2" Adjustable Arm Retainer Capscrew
19	39727	3/8" Adjustable Arm Lock Washer
20	7132-B	Retainer for Adjustable Arm Bolt
	04630A32-AR	Complete Right Side Assembly without Chainwheel and Helmet
	04630A32-AL	Complete Left Side Assembly without Chainwheel and Helmet
		Chainwheel Bolt Kit Includes
	5568-A	(1) 5262-A M20 x 2.5 x 2 3/8" Adjustable Chainwheel Bolt
		(1) 0450-A Chainwheel Spacer
		(1) 5211-A M20 x 2.5 Chainwheel Bolt Nut
		Arm Bolt Kit Includes
	5559-D	(1) 1077-B Arm Bolt 4" Length
		(1) 1078-A 3/8-24 x 1/2" Set Screw
		(2) 5487-A Oilyte Bushing
		(1) 5365-A M14 x 2.0 Arm Bolt Grip Nut

NOTE: Right (Passenger) side and Left (Driver) side part numbers apply for chains mounted forward of axle.

Model 046427

Right Side Shown





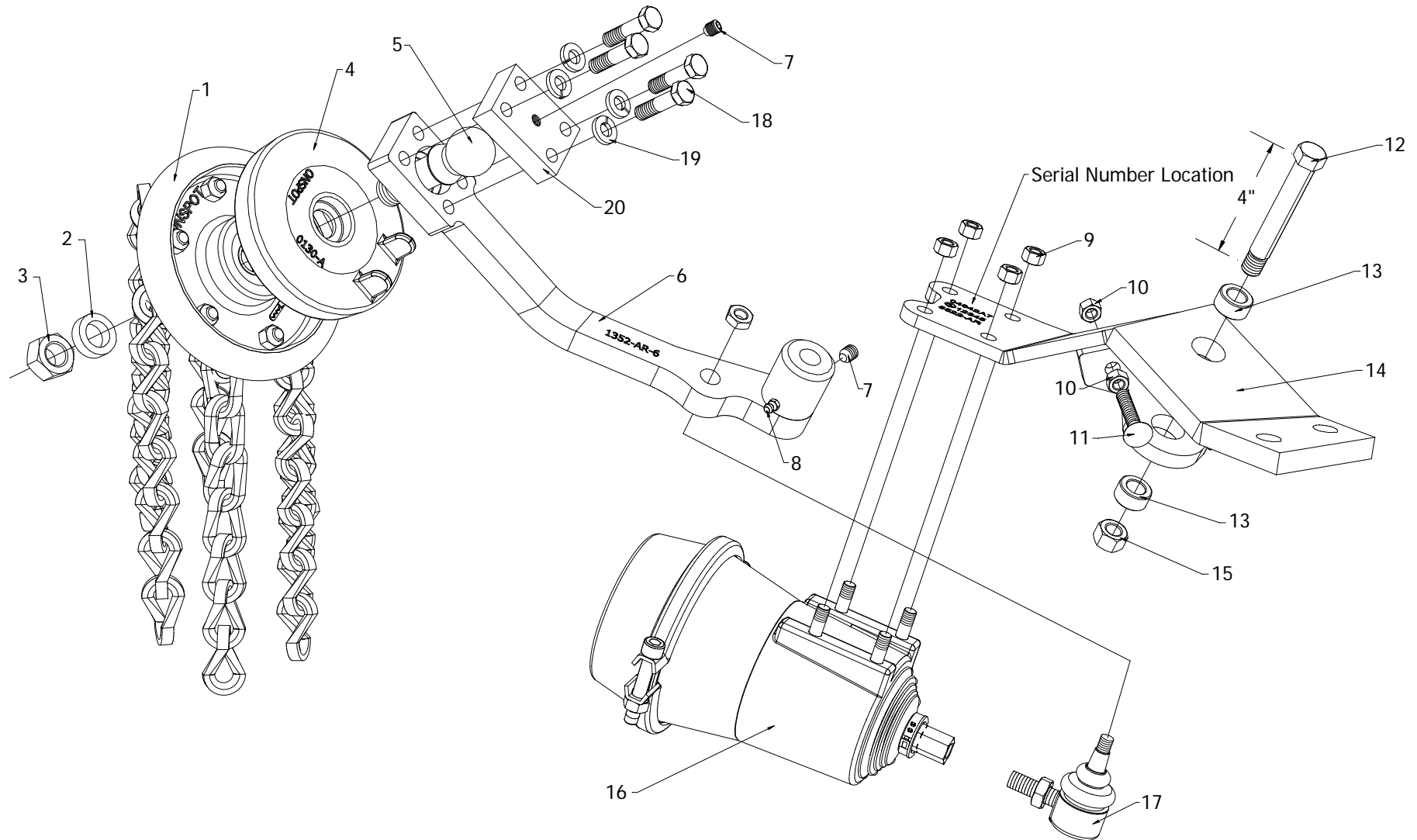
Automatic Tire Chains

Ref. No.	Part Number	Description
1	1392-AR-7	Complete Chainwheel Right Side (See Page 152 for Chainwheel Components)
	1392-AL-7	Complete Chainwheel Left Side
4	0130-A	Chainwheel Helmet
2	0450-A	Chainwheel Spacer
3	5211-A	M20 x 2.5 Chainwheel Bolt Nut
5	5222-A	M20 x 2.5 x 100mm Chainwheel Bolt
6	1352-AR	Arm for Right Side
	1352-AL	Arm for Left Side
7	1078-A	3/8-24 x 1/2" Set Screw
8	1026-A	1/4-28 Zinc Fitting
9	41755	M10 x 1.5 Nylock Nut
10	31203	3/8-16 Nut
11	21821	3/8-16 x 2" Carriage Bolt as Stop Bolt
12	1077-B	Arm Bolt 4" Length
13	5487-A	Oilyte Bushing (2 per Cylinder Bracket)
14	5522-AR	Cylinder Bracket Right Side (Ships with Oilyte Bushing Installed)
	5522-AL	Cylinder Bracket Left Side
15	5365-A	M14 x 2.0 Arm Bolt Grip Nut
16	1037-A	Complete Cylinder (See Page 162 for Cylinder Components)
17	1005-A	Angle Joint
	04640-AR	Complete Right Side Assembly without Chainwheel and Helmet
	04640-AL	Complete Left Side Assembly without Chainwheel and Helmet
		Chainwheel Bolt Kit Includes
	5564-A	(1) 5222-A M20 x 2.5 x 100mm Chainwheel Bolt
		(2) 0450-A Chainwheel Spacer
		(1) 5211-A M20 x 2.5 Chainwheel Bolt Nut
		Arm Bearing Kit Includes
	5559-D	(1) 1077-B Arm Bolt 4" Length
		(1) 1078-A 3/8-24 x 1/2" Set Screw
		(2) 5487-A Oilyte Bushing
		(1) 5365-A M14 x 2.0 Arm Bolt Grip Nut

NOTE: Right (Passenger) side and Left (Driver) side part numbers apply for chains mounted forward of axle.

Model 04642A7

Right Side Shown





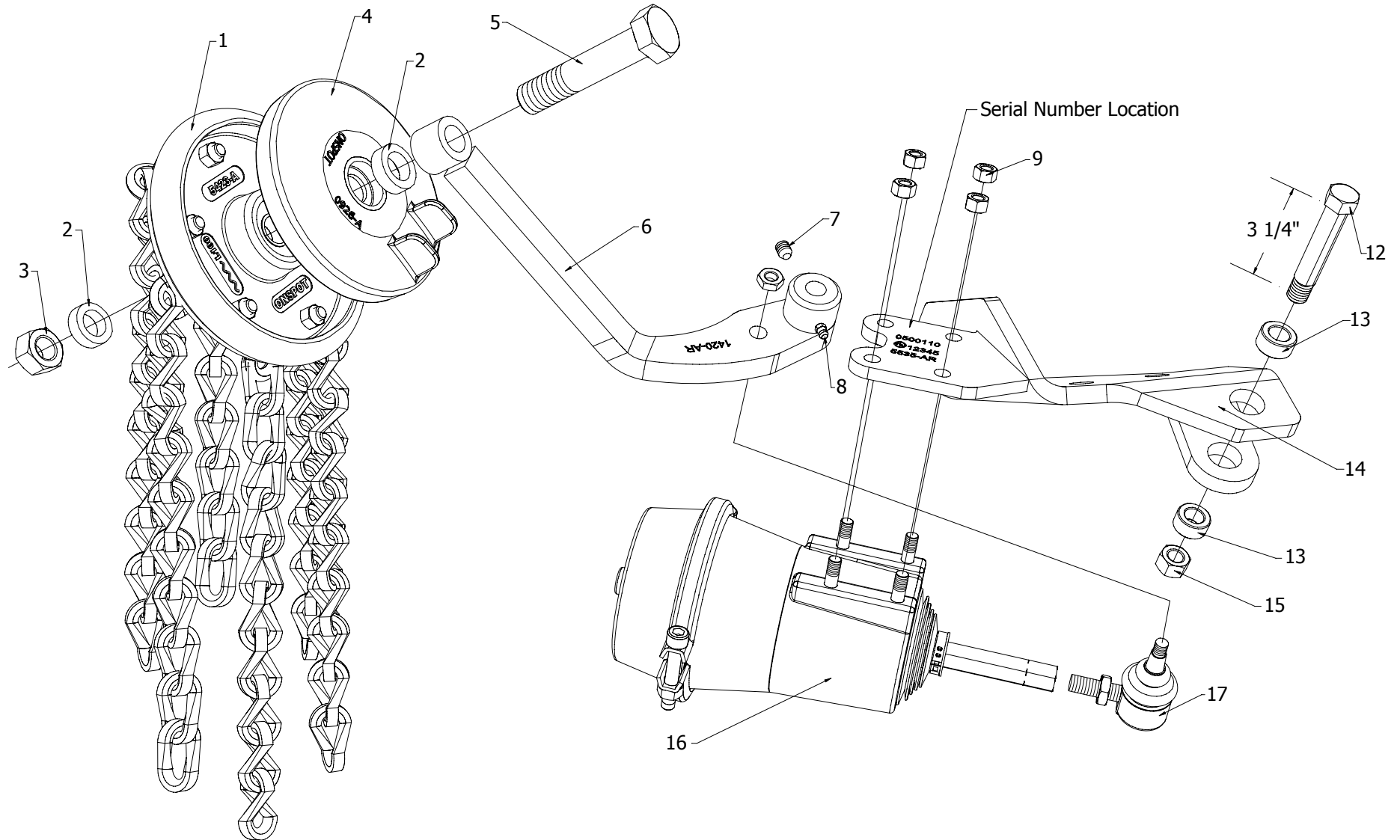
Automatic Tire Chains

Ref. No.	Part Number	Description
1	1392-AR-7	Complete Chainwheel Right Side (See Page 152 for Chainwheel Components)
	1392-AL-7	Complete Chainwheel Left Side
4	0130-A	Chainwheel Helmet
2	0450-A	Chainwheel Spacer
3	5211-A	M20 x 2.5 Chainwheel Bolt Nut
5	5262-A	M20 x 2.5 x 2 3/8" Adjustable Chainwheel Bolt
6	1352-AR-6	Arm for Right Side (Ships with Items 2, 3, 5, 7, 8, 18, 19, and 20)
	1352-AL-6	Arm for Left Side (Ships with Items 2, 3, 5, 7, 8, 18, 19, and 20)
7	1078-A	3/8-24 x 1/2" Set Screw
8	1026-A	1/4-28 Zinc Fitting
9	41755	M10 x 1.5 Nylock Nut
10	31203	3/8-16 Nut
11	21821	3/8-16 x 2" Carriage Bolt as Stop Bolt
12	1077-B	Arm Bolt 4" Length
13	5487-A	Oilyte Bushing (2 per Cylinder Bracket)
14	5522-AR	Cylinder Bracket Right Side (Ships with Oilyte Bushing Installed)
	5522-AL	Cylinder Bracket Left Side
15	5365-A	M14 x 2.0 Arm Bolt Grip Nut
16	1037-A	Complete Cylinder (See Page 162 for Cylinder Components)
17	1005-A	Angle Joint
18	39056	3/8-16 x 1 1/2" Adjustable Arm Retainer Capscrew
19	39727	3/8" Adjustable Arm Lock Washer
20	7132-B	Retainer for Adjustable Arm Bolt
	04640A-AR	Complete Right Side Assembly without Chainwheel and Helmet
	04640A-AL	Complete Left Side Assembly without Chainwheel and Helmet
		Chainwheel Bolt Kit Includes
	5568-A	(1) 5262-A M20 x 2.5 x 2 3/8" Adjustable Chainwheel Bolt
		(1) 0450-A Chainwheel Spacer
		(1) 5211-A M20 x 2.5 Chainwheel Bolt Nut
		Arm Bearing Kit Includes
	5559-D	(1) 1077-B Arm Bolt 4" Length
		(1) 1078-A 3/8-24 x 1/2" Set Screw
		(2) 5487-A Oilyte Bushing
		(1) 5365-A M14 x 2.0 Arm Bolt Grip Nut

NOTE: Right (Passenger) side and Left (Driver) side part numbers apply for chains mounted forward of axle.

Model 0500110

Right Side Shown





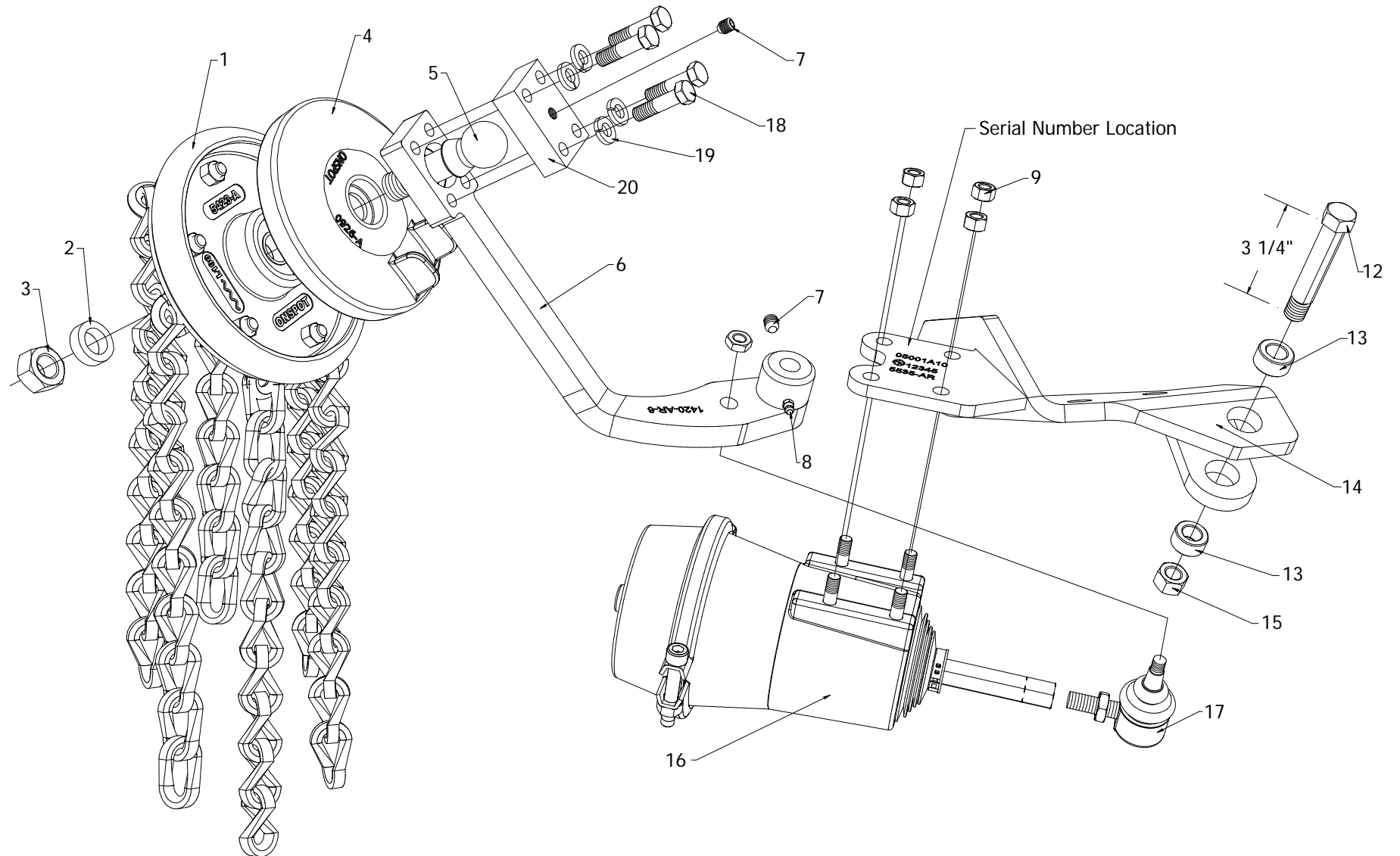
Automatic Tire Chains

Ref. No.	Part Number	Description
1	0925-AR	Complete Chainwheel Right Side (See Page 12: for Chainwheel Components)
	0925-AL	Complete Chainwheel Left Side
4	0926-A	Chainwheel Helmet
2	0450-A	Chainwheel Spacer
3	5211-A	M20 x 2.5 Chainwheel Bolt Nut
5	5222-A	M20 x 2.5 x 100mm Chainwheel Bolt
6	1420-AR	Arm for Right Side
	1420-AL	Arm for Left Side
7	1078-A	3/8-24 x 1/2" Set Screw
8	1026-A	1/4-28 Zinc Fitting
9	41755	M10 x 1.5 Nylock Nut
10	31203	3/8-16 Nut
11	21821	3/8-16 x 2" Carriage Bolt as Stop Bolt
12	1077-A	Arm Bolt 3 1/4" Length
13	5487-A	Oilyte Bushing (2 per Cylinder Bracket)
14	5535-AR	Cylinder Bracket Right Side (Ships with Oilyte Bushing Installed)
	5535-AL	Cylinder Bracket Left Side
15	5365-A	M14 x 2.0 Arm Bolt Grip Nut
16	1037-B	Complete Cylinder (See Page 162 for Cylinder Components)
17	1005-A	Angle Joint
	05000-AR	Complete Right Side Assembly without Chainwheel and Helmet
	05000-AL	Complete Left Side Assembly without Chainwheel and Helmet
		Chainwheel Bolt Kit Includes
	5564-A	(1) 5222-A M20 x 2.5 x 100mm Chainwheel Bolt
		(2) 0450-A Chainwheel Spacer
		(1) 5211-A M20 x 2.5 Chainwheel Bolt Nut
		Arm Bearing Kit Includes
	5560-D	(1) 1076-B Arm Bolt 3 1/4" Length
		(1) 1078-A 3/8-24 x 1/2" Set Screw
		(2) 5487-A Oilyte Bushing
		(1) 5365-A M14 x 2.0 Arm Bolt Grip Nut

NOTE: Right (Passenger) side and Left (Driver) side part numbers apply for chains mounted forward of axle.

Model 05001A10

Right Side Shown





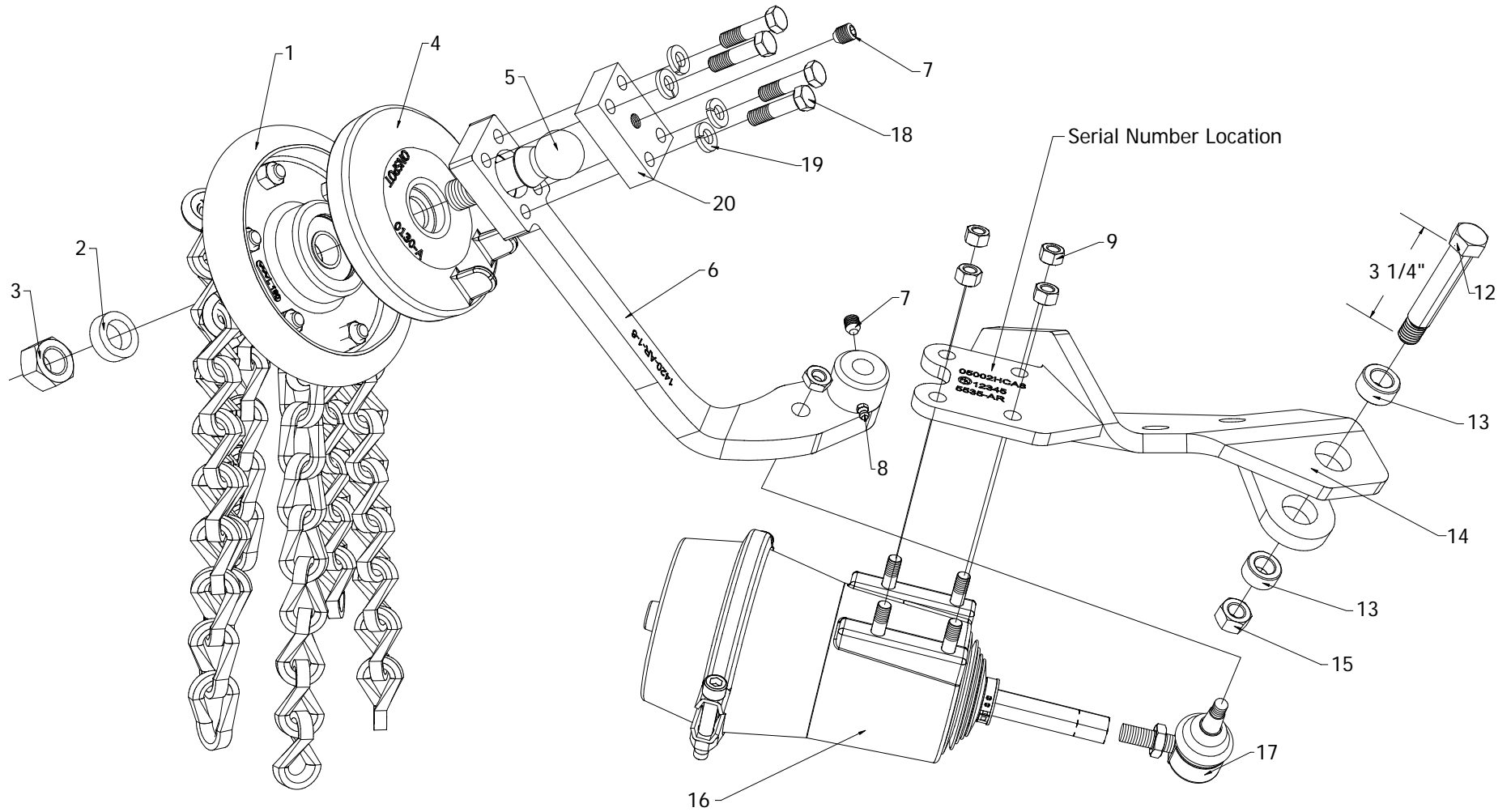
Automatic Tire Chains

Ref. No.	Part Number	Description
1	0925-AR	Complete Chainwheel Right Side (See Page 12: for Chainwheel Components)
	0925-AL	Complete Chainwheel Left Side
4	0926-A	Chainwheel Helmet
2	0450-A	Chainwheel Spacer
3	5211-A	M20 x 2.5 Chainwheel Bolt Nut
5	5262-A	M20 x 2.5 x 2 3/8" Adjustable Chainwheel Bolt
6	1420-AR-6	Arm for Right Side (Ships with Items 2, 3, 5, 7, 8, 18, 19, and 20)
	1420-AL-6	Arm for Left Side (Ships with Items 2, 3, 5, 7, 8, 18, 19, and 20)
7	1078-A	3/8-24 x 1/2" Set Screw
8	1026-A	1/4-28 Zinc Fitting
9	41755	M10 x 1.5 Nylock Nut
10	31203	3/8-16 Nut
11	21821	3/8-16 x 2" Carriage Bolt as Stop Bolt
12	1077-A	Arm Bolt 3 1/4" Length
13	5487-A	Oilyte Bushing (2 per Cylinder Bracket)
14	5535-AR	Cylinder Bracket Right Side (Ships with Oilyte Bushing Installed)
	5535-AL	Cylinder Bracket Left Side
15	5365-A	M14 x 2.0 Arm Bolt Grip Nut
16	1037-B	Complete Cylinder (See Page 162 for Cylinder Components)
17	1005-A	Angle Joint
18	39056	3/8-16 x 1 1/2" Adjustable Arm Retainer Capscrew
19	39727	3/8" Adjustable Arm Lock Washer
20	7132-B	Retainer for Adjustable Arm Bolt
	05000A-AR	Complete Right Side Assembly without Chainwheel and Helmet
	05000A-AL	Complete Left Side Assembly without Chainwheel and Helmet
		Chainwheel Bolt Kit Includes
	5568-A	(1) 5262-A M20 x 2.5 x 2 3/8" Adjustable Chainwheel Bolt
		(1) 0450-A Chainwheel Spacer
		(1) 5211-A M20 x 2.5 Chainwheel Bolt Nut
		Arm Bearing Kit Includes
	5560-D	(1) 1077-A Arm Bolt 3 1/4" Length
		(1) 1078-A 3/8-24 x 1/2" Set Screw
		(2) 5487-A Oilyte Bushing
		(1) 5365-A M14 x 2.0 Arm Bolt Grip Nut

NOTE: Right (Passenger) side and Left (Driver) side part numbers apply for chains mounted forward of axle.

Model 05002HCA8

Right Side Shown





Automatic Tire Chains

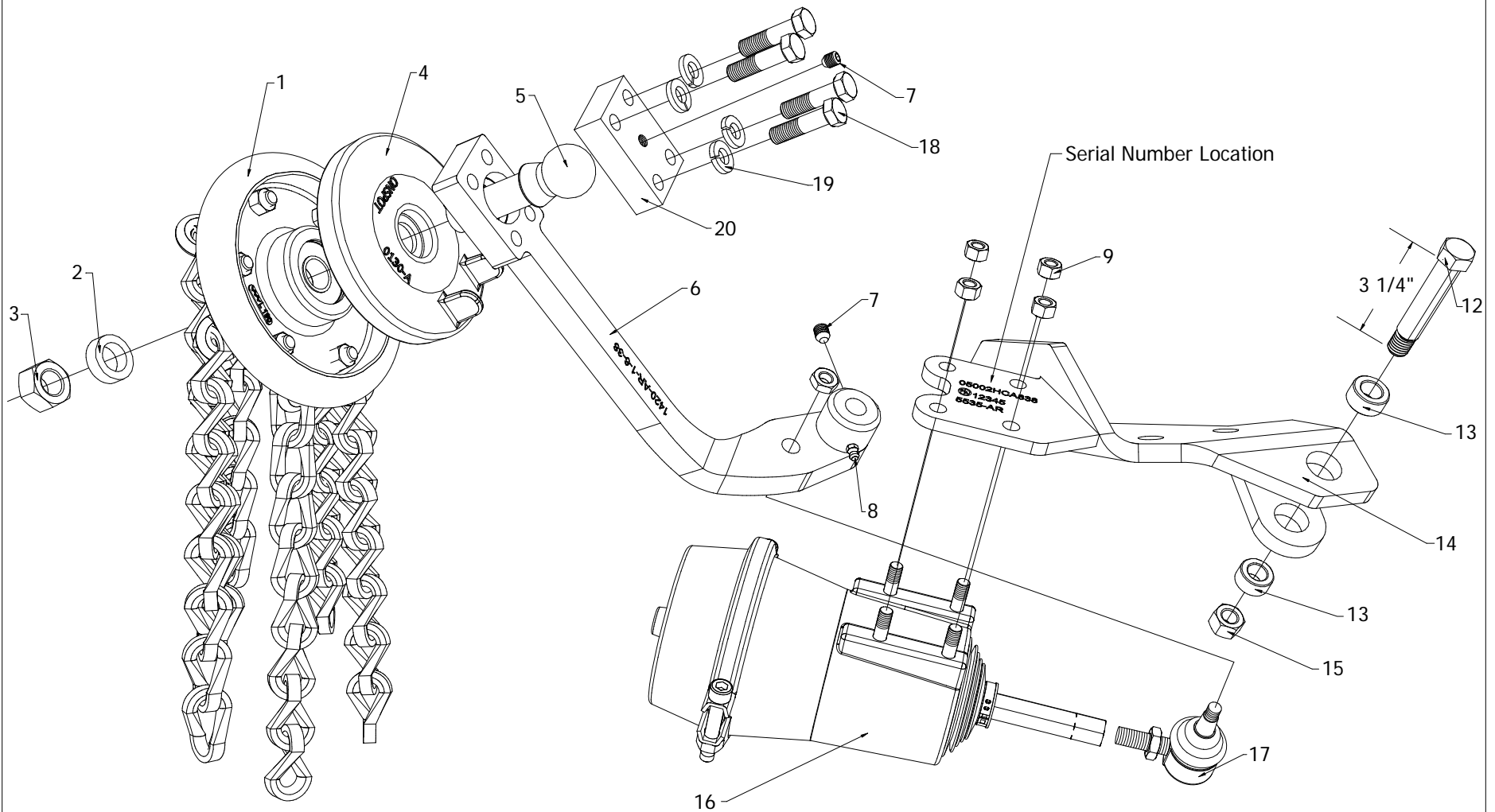
Ref. No.	Part Number	Description
1	1392-AR-8	Complete Chainwheel Right Side (See Page 152 for Chainwheel Components)
	1392-AL-8	Complete Chainwheel Left Side
4	0130-A	Chainwheel Helmet
2	0450-A	Chainwheel Spacer
3	5211-A	M20 x 2.5 Chainwheel Bolt Nut
5	5262-A	M20 x 2.5 x 2 3/8" Adjustable Chainwheel Bolt
6	1420-AR-1-6	Arm for Right Side (Ships with Items 2, 3, 5, 7, 8, 18, 19, and 20)
	1420-AL-1-6	Arm for Left Side (Ships with Items 2, 3, 5, 7, 8, 18, 19, and 20)
7	1078-A	3/8-18 x 1/2" Set Screw
8	1026-A	1/4-28 Zirc Fitting
9	41755	M10 x 1.5 Nylock Nut
10	31203	3/8-16 Nut
12	1077-A	Arm Bolt 3 1/4" Length
13	5487-A	Oilyte Bushing (2 per Cylinder Bracket)
14	5535-AR	Cylinder Bracket Right Side (Ships with Oilyte Bushing Installed)
	5535-AL	Cylinder Bracket Left Side
15	5365-A	M14 x 2.0 Arm Bolt Grip Nut
16	1037-B	Complete Cylinder (See Page 162 for Cylinder Components)
17	1005-A	Angle Joint
18	39056	3/8-16 x 1 1/2" Adjustable Arm Retainer Capscrew
19	39727	3/8" Adjustable Arm Lock Washer
20	7132-B	Retainer for Adjustable Arm Bolt
	05000HCA-AR	Complete Right Side Assembly without Chainwheel and Helmet
	05000HCA-AL	Complete Left Side Assembly without Chainwheel and Helmet
		Chainwheel Bolt Kit Includes
	5568-A	(1) 5262-A M20 x 2.5 x 2 3/8" Adjustable Chainwheel Bolt
		(1) 0450-A Chainwheel Spacer
		(1) 5211-A M20 x 2.5 Chainwheel Bolt Nut
		Arm Bearing Kit Includes
	5560-D	(1) 1077-A Arm Bolt 3 1/4" Length
		(1) 1078-A 3/8-18 x 1/2" Set Screw
		(2) 5487-A Oilyte Bushing
		(1) 5365-A M14 x 2.0 Arm Bolt Grip Nut

NOTE: Right (Passenger) side and Left (Driver) side part numbers apply for chains mounted forward of axle.

NOTE: Used on **Link 8M000097** (Ford F450/550) and **8M000100** (Dodge 4500/5500) Suspensions

Model 05002HCA838

Right Side Shown





Automatic Tire Chains

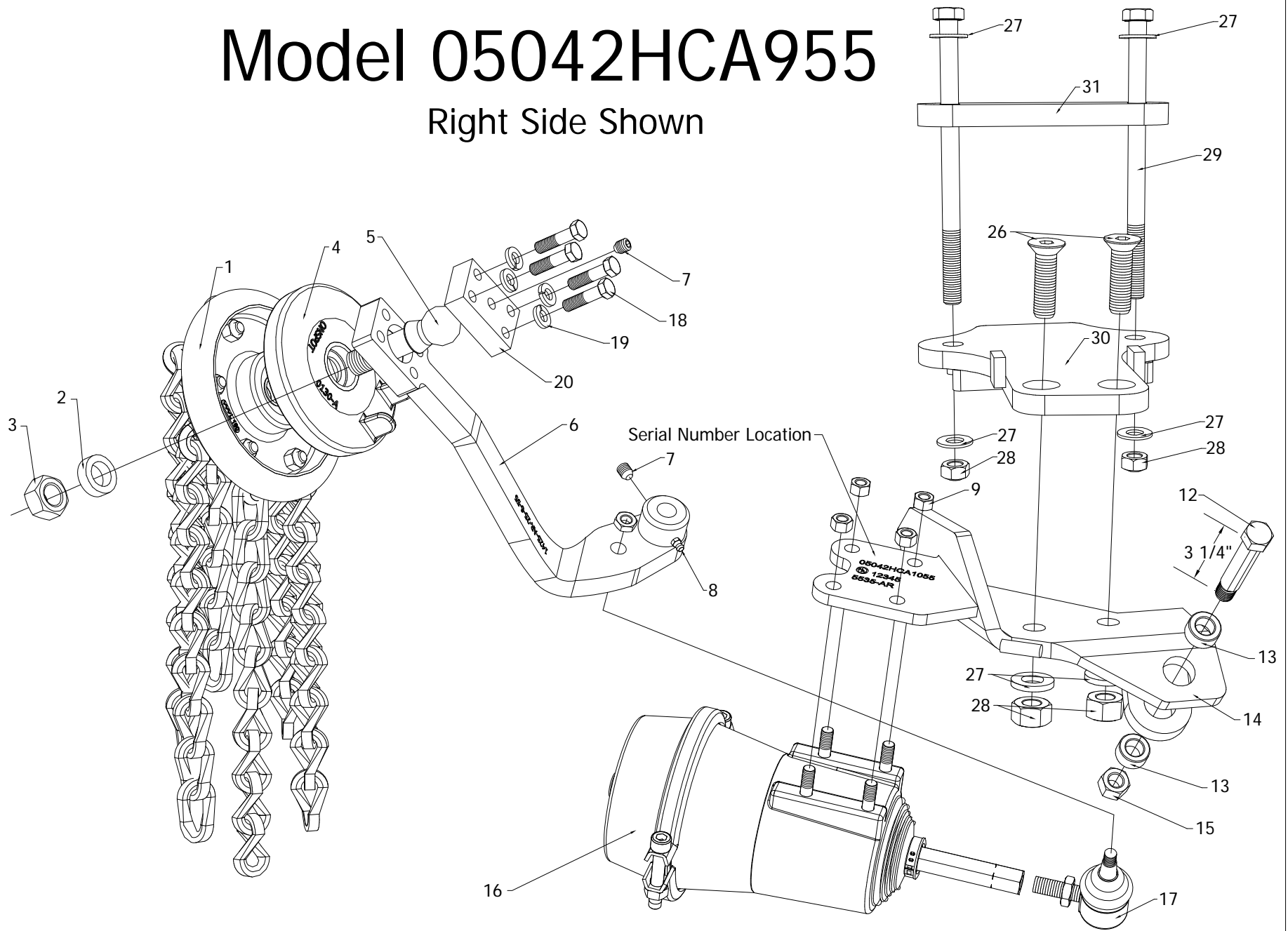
Ref. No.	Part Number	Description
1	1392-AR-8	Complete Chainwheel Right Side (See Page 152 for Chainwheel Components)
	1392-AL-8	Complete Chainwheel Left Side
4	0130-A	Chainwheel Helmet
2	0450-A	Chainwheel Spacer
3	5211-A	M20 x 2.5 Chainwheel Bolt Nut
5	5262-A	M20 x 2.5 x 2 3/8" Adjustable Chainwheel Bolt
6	1420-AR-1-6-38	Arm for Right Side (Ships with Items 2, 3, 5, 7, 8, 18, 19, and 20)
	1420-AL-1-6-38	Arm for Left Side (Ships with Items 2, 3, 5, 7, 8, 18, 19, and 20)
7	1078-A	3/8-46 x 1/2" Set Screw
8	1026-A	1/4-28 Zirc Fitting
9	41755	M10 x 1.5 Nylock Nut
10	31203	3/8-16 Nut
12	1077-A	Arm Bolt 3 1/4" Length
13	5487-A	Oilyte Bushing (2 per Cylinder Bracket)
14	5535-AR	Cylinder Bracket Right Side (Ships with Oilyte Bushing Installed)
	5535-AL	Cylinder Bracket Left Side
15	5365-A	M14 x 2.0 Arm Bolt Grip Nut
16	1037-B	Complete Cylinder (See Page 162 for Cylinder Components)
17	1005-A	Angle Joint
18	39056	3/8-16 x 1 1/2" Adjustable Arm Retainer Capscrew
19	39727	3/8" Adjustable Arm Lock Washer
20	7132-B	Retainer for Adjustable Arm Bolt
	05000HCA38-AR	Complete Right Side Assembly without Chainwheel and Helmet
	05000HCA38-AL	Complete Left Side Assembly without Chainwheel and Helmet
		Chainwheel Bolt Kit Includes
	5568-A	(1) 5262-A M20 x 2.5 x 2 3/8" Adjustable Chainwheel Bolt
		(1) 0450-A Chainwheel Spacer
		(1) 5211-A M20 x 2.5 Chainwheel Bolt Nut
		Arm Bearing Kit Includes
	5560-D	(1) 1077-A Arm Bolt 3 1/4" Length
		(1) 1078-A 3/8-46 x 1/2" Set Screw
		(2) 5487-A Oilyte Bushing
		(1) 5365-A M14 x 2.0 Arm Bolt Grip Nut

NOTE: Right (Passenger) side and Left (Driver) side part numbers apply for chains mounted forward of axle.

NOTE: Used on **Link 8M00035** Suspension

Model 05042HCA955

Right Side Shown





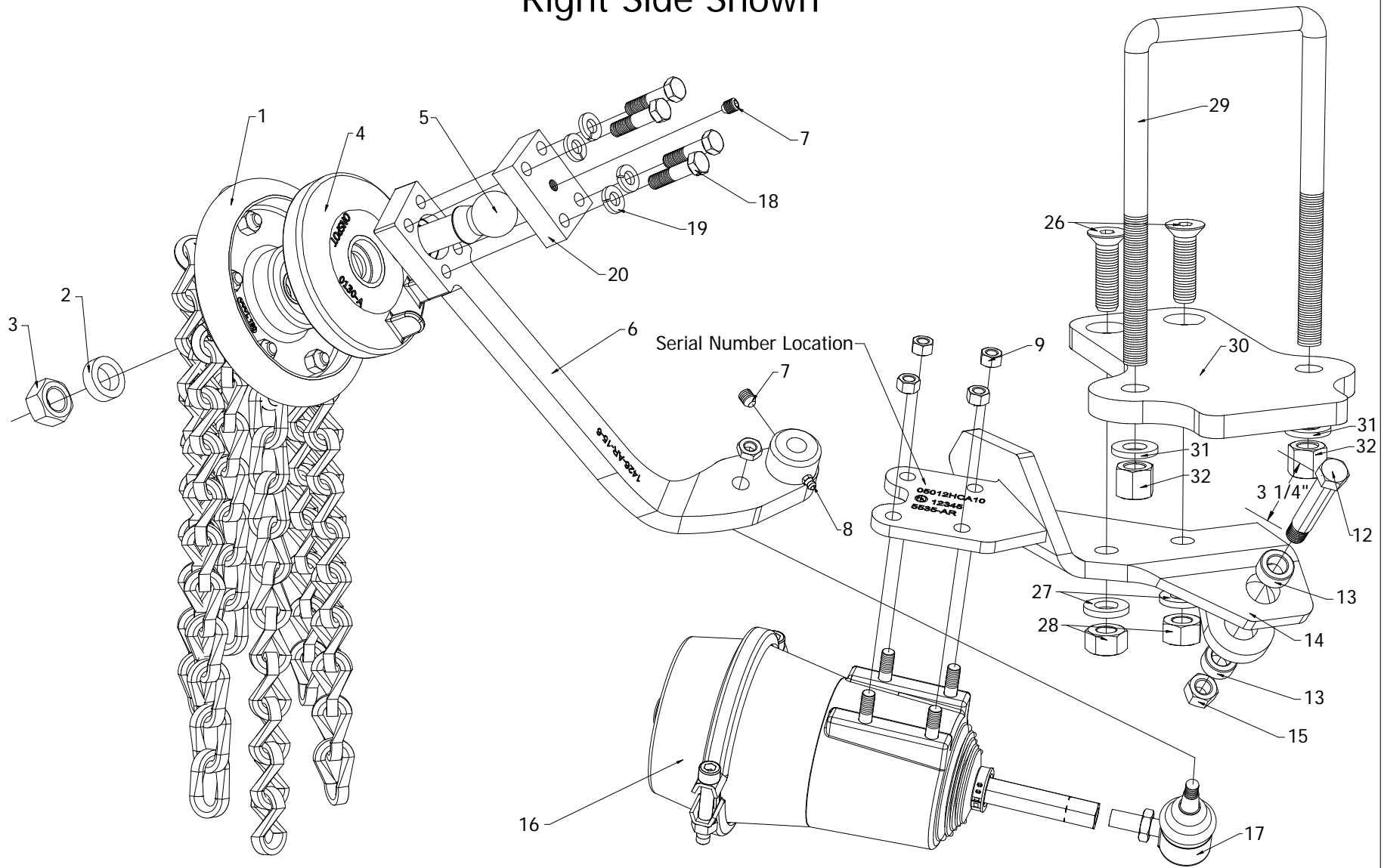
Automatic Tire Chains

Ref. No.	Part Number	Description
1	1392-AR-9	Complete Chainwheel Right Side (See Page 152 for Chainwheel Components)
	1392-AL-9	Complete Chainwheel Left Side
4	0130-A	Chainwheel Helmet
2	0450-A	Chainwheel Spacer
3	5211-A	M20 x 2.5 Chainwheel Bolt Nut
5	5262-A	M20 x 2.5 x 2 3/8" Adjustable Chainwheel Bolt
6	1425-AR-25-6-55	Arm for Right Side (Ships with Items 2, 3, 5, 7, 8, 18, 19, and 20)
	1425-AL-25-6-55	Arm for Left Side (Ships with Items 2, 3, 5, 7, 8, 18, 19, and 20)
7	1078-A	3/8-46 x 1/2" Set Screw
8	1026-A	1/4-28 Zirc Fitting
9	41755	M10 x 1.5 Nylock Nut
12	1077-A	Arm Bolt 3 1/4" Length
13	5487-A	Oilyte Bushing (2 per Cylinder Bracket)
14	5535-AR	Cylinder Bracket Right Side (Ships with Oilyte Bushing Installed)
	5535-AL	Cylinder Bracket Left Side
15	5365-A	M14 x 2.0 Arm Bolt Grip Nut
16	1037-B	Complete Cylinder (See Page 162 for Cylinder Components)
17	1005-A	Angle Joint
18	39056	3/8-16 x 1 1/2" Adjustable Arm Retainer Capscrew
19	39727	3/8" Adjustable Arm Lock Washer
20	7132-B	Retainer for Adjustable Arm Bolt
26	24405	5/8-11 x 2" Countersunk Socket Head Capscrew
27	39707-A	5/8" Flat Washer
28	36786-A	5/8" Grip Nut
29	39169	5/8-11 x 10" Capscrew
30	Gillig Plate-AR	Mounting Adapter Plate
	Gillig Plate-AL	Mounting Adapter Plate
31	75TB-A	3/4" Top Bar for Mounting Adapter Plate
	05040HCA55-AR	Complete Right Side Assembly without Chainwheel and Helmet
	05040HCA55-AL	Complete Left Side Assembly without Chainwheel and Helmet
		Chainwheel Bolt Kit Includes
	5568-A	(1) 5262-A M20 x 2.5 x 2 3/8" Adjustable Chainwheel Bolt
		(1) 0450-A Chainwheel Spacer
		(1) 5211-A M20 x 2.5 Chainwheel Bolt Nut
		Arm Bearing Kit Includes
	5560-D	(1) 1077-A Arm Bolt 3 1/4" Length
		(1) 1078-A 3/8-46 x 1/2" Set Screw
		(2) 5487-A Oilyte Bushing
		(1) 5365-A M14 x 2.0 Arm Bolt Grip Nut

NOTE: Right (Passenger) side and Left (Driver) side part numbers apply for chains mounted forward of axle.

Model 05012HCA10

Right Side Shown





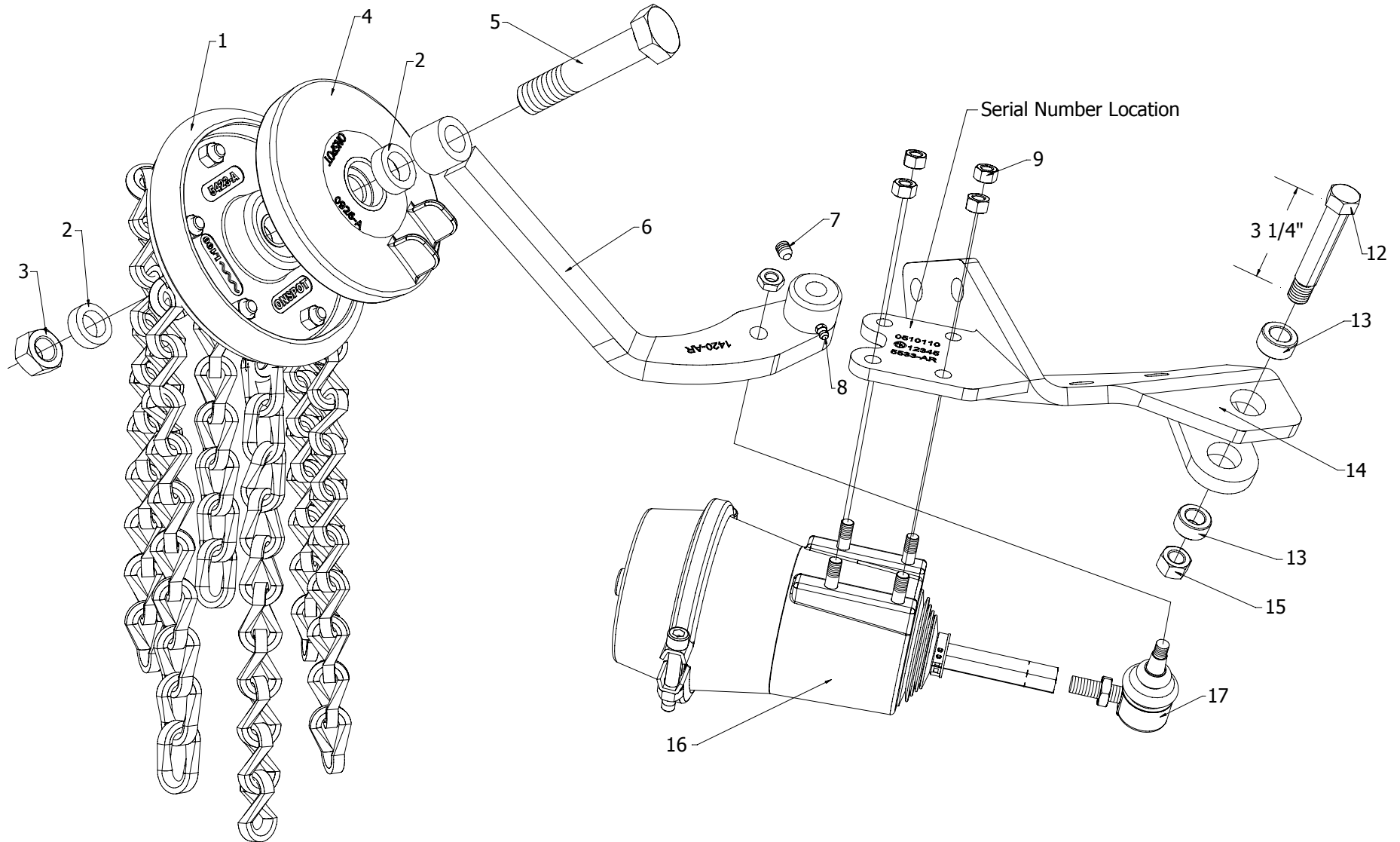
Automatic Tire Chains

Ref. No.	Part Number	Description
1	1392-AR-10	Complete Chainwheel Right Side (See Page 152 for Chainwheel Components)
	1392-AL-10	Complete Chainwheel Left Side
4	0130-A	Chainwheel Helmet
2	0450-A	Chainwheel Spacer
3	5211-A	M20 x 2.5 Chainwheel Bolt Nut
5	5262-A	M20 x 2.5 x 2 3/8" Adjustable Chainwheel Bolt
6	1426-AR-15-6	Arm for Right Side (Ships with Items 2, 3, 5, 7, 8, 18, 19, and 20)
	1426-AL-15-6	Arm for Left Side (Ships with Items 2, 3, 5, 7, 8, 18, 19, and 20)
7	1078-A	3/8-24 x 1/2" Set Screw
8	1026-A	1/4-28 Zirc Fitting
9	41755	M10 x 1.5 Nylock Nut
12	1077-A	Arm Bolt 3 1/4" Length
13	5487-A	Oilyte Bushing (2 per Cylinder Bracket)
14	5535-AR	Cylinder Bracket Right Side (Ships with Oilyte Bushing Installed)
	5535-AL	Cylinder Bracket Left Side
15	5365-A	M14 x 2.0 Arm Bolt Grip Nut
16	1037-B	Complete Cylinder (See Page 162 for Cylinder Components)
17	1005-A	Angle Joint
18	39056	3/8-16 x 1 1/2" Adjustable Arm Retainer Capscrew
19	39727	3/8" Adjustable Arm Lock Washer
20	7132-B	Retainer for Adjustable Arm Bolt
26	24405	5/8-11 x 2" Countersunk Socket Head Capscrew
27	39707-A	5/8" Flat Washer
28	36786-A	5/8" Grip Nut
29	584585ST22	5/8-18 x 4 1/2 x 8 1/2" Leg Square Top U-Bolt
30	5535-5-AR	Mounting Adapter Plate
	5535-5-AL	Mounting Adapter Plate
31	580057	5/8" U-bolt Washer
32	580058	5/8" U-bolt Nut
	05010HCA-AR	Complete Right Side Assembly without Chainwheel and Helmet
	05010HCA-AL	Complete Left Side Assembly without Chainwheel and Helmet
		Chainwheel Bolt Kit Includes
	5568-A	(1) 5262-A M20 x 2.5 x 2 3/8" Adjustable Chainwheel Bolt
		(1) 0450-A Chainwheel Spacer
		(1) 5211-A M20 x 2.5 Chainwheel Bolt Nut
		Arm Bearing Kit Includes
	5560-D	(1) 1077-A Arm Bolt 3 1/4" Length
		(1) 1078-A 3/8-24 x 1/2" Set Screw
		(2) 5487-A Oilyte Bushing
		(1) 5365-A M14 x 2.0 Arm Bolt Grip Nut

NOTE: Right (Passenger) side and Left (Driver) side part numbers apply for chains mounted forward of axle.

Model 0510110

Right Side Shown





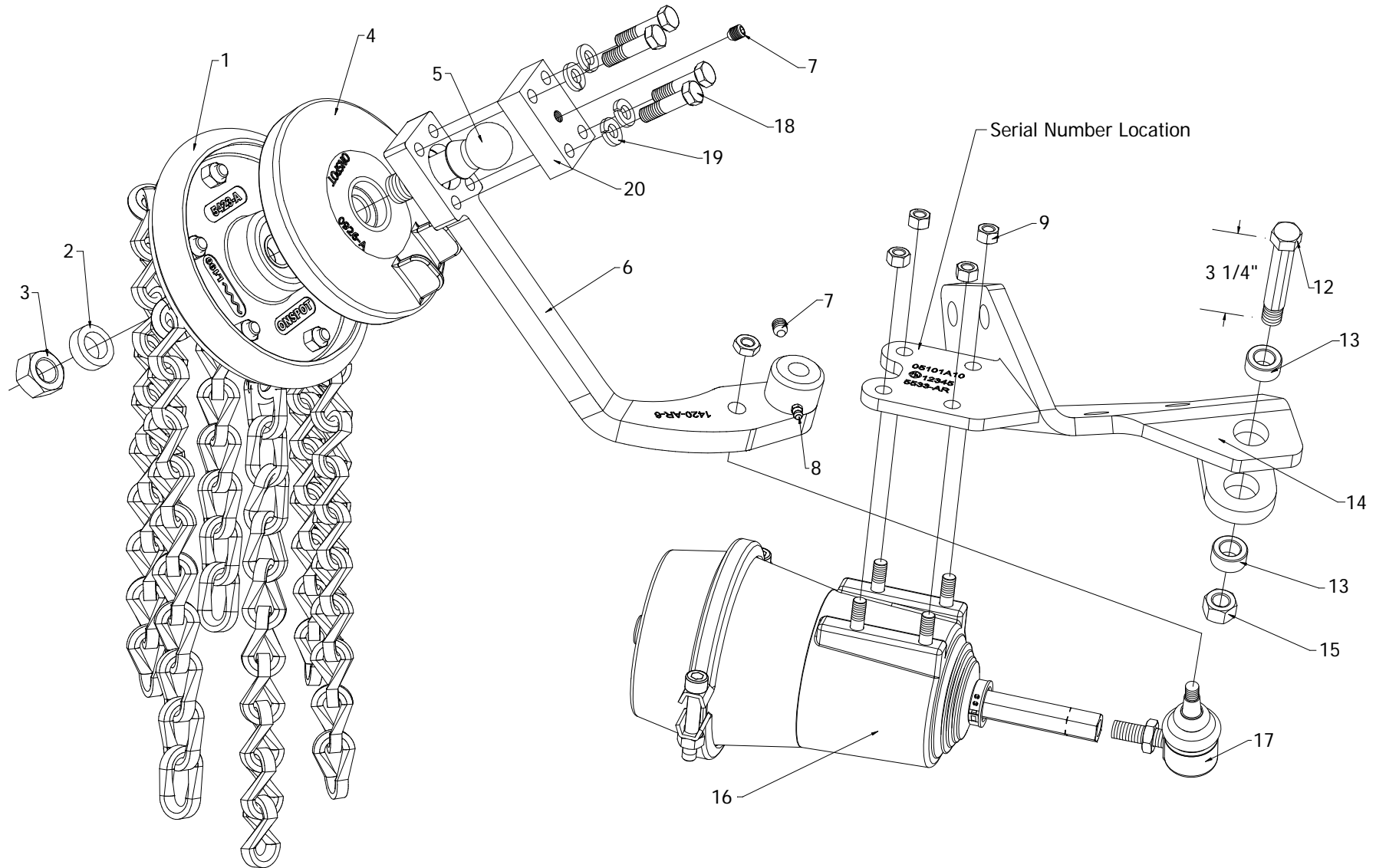
Automatic Tire Chains

Ref. No.	Part Number	Description
1	0925-AR	Complete Chainwheel Right Side (See Page 12: for Chainwheel Components)
	0925-AL	Complete Chainwheel Left Side
4	0926-A	Chainwheel Helmet
2	0450-A	Chainwheel Spacer
3	5211-A	M20 x 2.5 Chainwheel Bolt Nut
5	5222-A	M20 x 2.5 x 100mm Chainwheel Bolt
6	1420-AR	Arm for Right Side
	1420-AL	Arm for Left Side
7	1078-A	3/8-46 x 1/2" Set Screw
8	1026-A	1/4-28 Zirc Fitting
9	41755	M10 x 1.5 Nylock Nut
10	31203	3/8-16 Nut
12	1077-A	Arm Bolt 3 1/4" Length
13	5487-A	Oilyte Bushing (2 per Cylinder Bracket)
14	5533-AR	Cylinder Bracket Right Side (Ships with Oilyte Bushing Installed)
	5533-AL	Cylinder Bracket Left Side
15	5365-A	M14 x 2.0 Arm Bolt Grip Nut
16	1037-B	Complete Cylinder (See Page 162 for Cylinder Components)
17	1005-A	Angle Joint
	05100-AR	Complete Right Side Assembly without Chainwheel and Helmet
	05100-AL	Complete Left Side Assembly without Chainwheel and Helmet
		Chainwheel Bolt Kit Includes
	5564-A	(1) 5222-A M20 x 2.5 x 100mm Chainwheel Bolt
		(2) 0450-A Chainwheel Spacer
		(1) 5211-A M20 x 2.5 Chainwheel Bolt Nut
		Arm Bearing Kit Includes
	5560-D	(1) 1076-B Arm Bolt 3 1/4" Length
		(1) 1078-A 3/8-46 x 1/2" Set Screw
		(2) 5487-A Oilyte Bushing
		(1) 5365-A M14 x 2.0 Arm Bolt Grip Nut

NOTE: Right (Passenger) side and Left (Driver) side part numbers apply for chains mounted forward of axle.

Model 05101A10

Right Side Shown





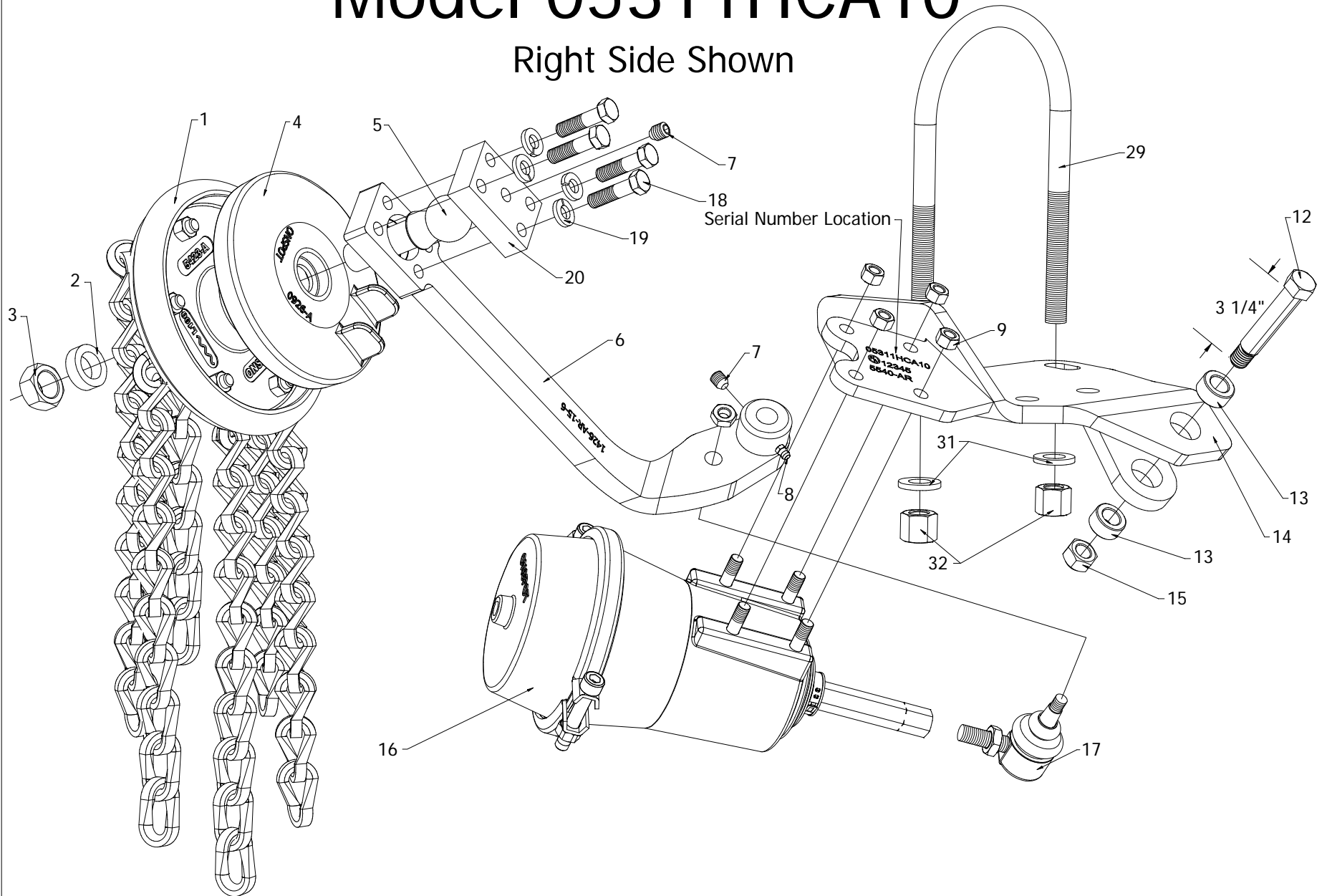
Automatic Tire Chains

Ref. No.	Part Number	Description
1	0925-AR	Complete Chainwheel Right Side (See Page 12: for Chainwheel Components)
	0925-AL	Complete Chainwheel Left Side
4	0926-A	Chainwheel Helmet
2	0450-A	Chainwheel Spacer
3	5211-A	M20 x 2.5 Chainwheel Bolt Nut
5	5262-A	M20 x 2.5 x 2 3/8" Adjustable Chainwheel Bolt
6	1420-AR-6	Arm for Right Side (Ships with Items 2, 3, 5, 7, 8, 18, 19, and 20)
	1420-AL-6	Arm for Left Side (Ships with Items 2, 3, 5, 7, 8, 18, 19, and 20)
7	1078-A	3/8-46 x 1/2" Set Screw
8	1026-A	1/4-28 Zirc Fitting
9	41755	M10 x 1.5 Nylock Nut
10	31203	3/8-16 Nut
12	1077-A	Arm Bolt 3 1/4" Length
13	5487-A	Oilyte Bushing (2 per Cylinder Bracket)
14	5533-AR	Cylinder Bracket Right Side (Ships with Oilyte Bushing Installed)
	5533-AL	Cylinder Bracket Left Side
15	5365-A	M14 x 2.0 Arm Bolt Grip Nut
16	1037-B	Complete Cylinder (See Page 162 for Cylinder Components)
17	1005-A	Angle Joint
18	39056	3/8-16 x 1 1/2" Adjustable Arm Retainer Capscrew
19	39727	3/8" Adjustable Arm Lock Washer
20	7132-B	Retainer for Adjustable Arm Bolt
	05100A-AR	Complete Right Side Assembly without Chainwheel and Helmet
	05100A-AL	Complete Left Side Assembly without Chainwheel and Helmet
		Chainwheel Bolt Kit Includes
	5568-A	(1) 5262-A M20 x 2.5 x 2 3/8" Adjustable Chainwheel Bolt
		(1) 0450-A Chainwheel Spacer
		(1) 5211-A M20 x 2.5 Chainwheel Bolt Nut
		Arm Bearing Kit Includes
	5560-D	(1) 1077-A Arm Bolt 3 1/4" Length
		(1) 1078-A 3/8-46 x 1/2" Set Screw
		(2) 5487-A Oilyte Bushing
		(1) 5365-A M14 x 2.0 Arm Bolt Grip Nut

NOTE: Right (Passenger) side and Left (Driver) side part numbers apply for chains mounted forward of axle.

Model 05311HCA10

Right Side Shown





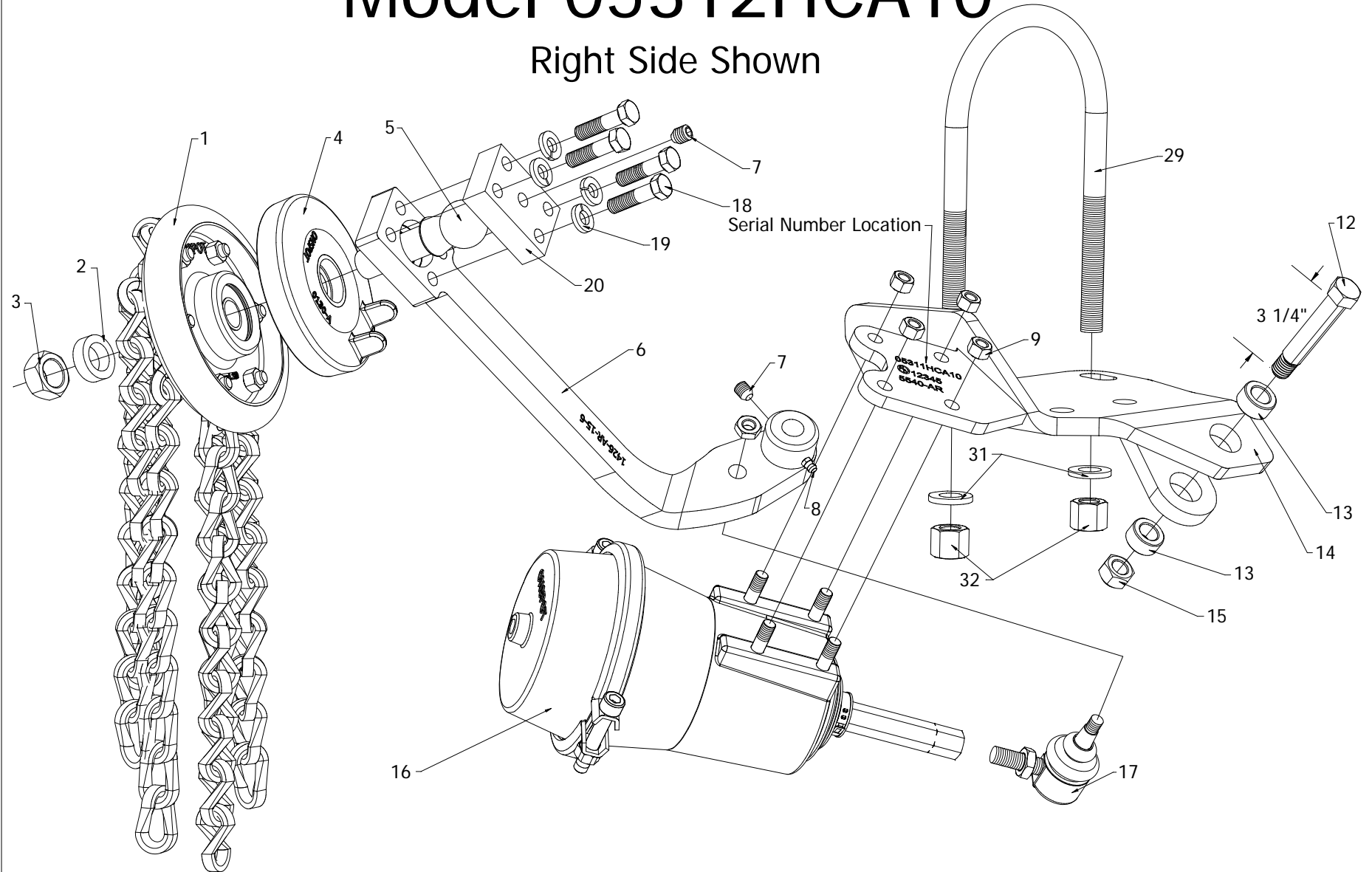
Automatic Tire Chains

Ref. No.	Part Number	Description
1	0925-AR	Complete Chainwheel Right Side (See Page 12: for Chainwheel Components)
	0925-AL	Complete Chainwheel Left Side
4	0926-A	Chainwheel Helmet
2	0450-A	Chainwheel Spacer
3	5211-A	M20 x 2.5 Chainwheel Bolt Nut
5	5262-A	M20 x 2.5 x 2 3/8" Adjustable Chainwheel Bolt
6	1426-AR-15-6	Arm for Right Side (Ships with Items 2, 3, 5, 7, 8, 18, 19, and 20)
	1426-AL-15-6	Arm for Left Side (Ships with Items 2, 3, 5, 7, 8, 18, 19, and 20)
7	1078-A	3/8-46 x 1/2" Set Screw
8	1026-A	1/4-28 Zirc Fitting
9	41755	M10 x 1.5 Nylock Nut
12	1077-A	Arm Bolt 3 1/4" Length
13	5487-A	Oilyte Bushing (2 per Cylinder Bracket)
14	5540-AR	Cylinder Bracket Right Side (Ships with Oilyte Bushing Installed)
	5540-AL	Cylinder Bracket Left Side
15	5365-A	M14 x 2.0 Arm Bolt Grip Nut
16	1037-B	Complete Cylinder (See Page 162 for Cylinder Components)
17	1005-A	Angle Joint
18	39056	3/8-16 x 1 1/2" Adjustable Arm Retainer Capscrew
19	39727	3/8" Adjustable Arm Lock Washer
20	7132-B	Retainer for Adjustable Arm Bolt
29	585090RT22	5/8-18 x 5 x 9" Leg Round Top U-Bolt
31	580057	5/8" U-bolt Washer
32	580058	5/8" U-bolt Nut
	05310HCA-AR	Complete Right Side Assembly without Chainwheel and Helmet
	05310HCA-AL	Complete Left Side Assembly without Chainwheel and Helmet
		Chainwheel Bolt Kit Includes
	5568-A	(1) 5262-A M20 x 2.5 x 2 3/8" Adjustable Chainwheel Bolt
		(1) 0450-A Chainwheel Spacer
		(1) 5211-A M20 x 2.5 Chainwheel Bolt Nut
		Arm Bearing Kit Includes
	5560-D	(1) 1077-A Arm Bolt 3 1/4" Length
		(1) 1078-A 3/8-46 x 1/2" Set Screw
		(2) 5487-A Oilyte Bushing
		(1) 5365-A M14 x 2.0 Arm Bolt Grip Nut

NOTE: Right (Passenger) side and Left (Driver) side part numbers apply for chains mounted forward of axle.

Model 05312HCA10

Right Side Shown





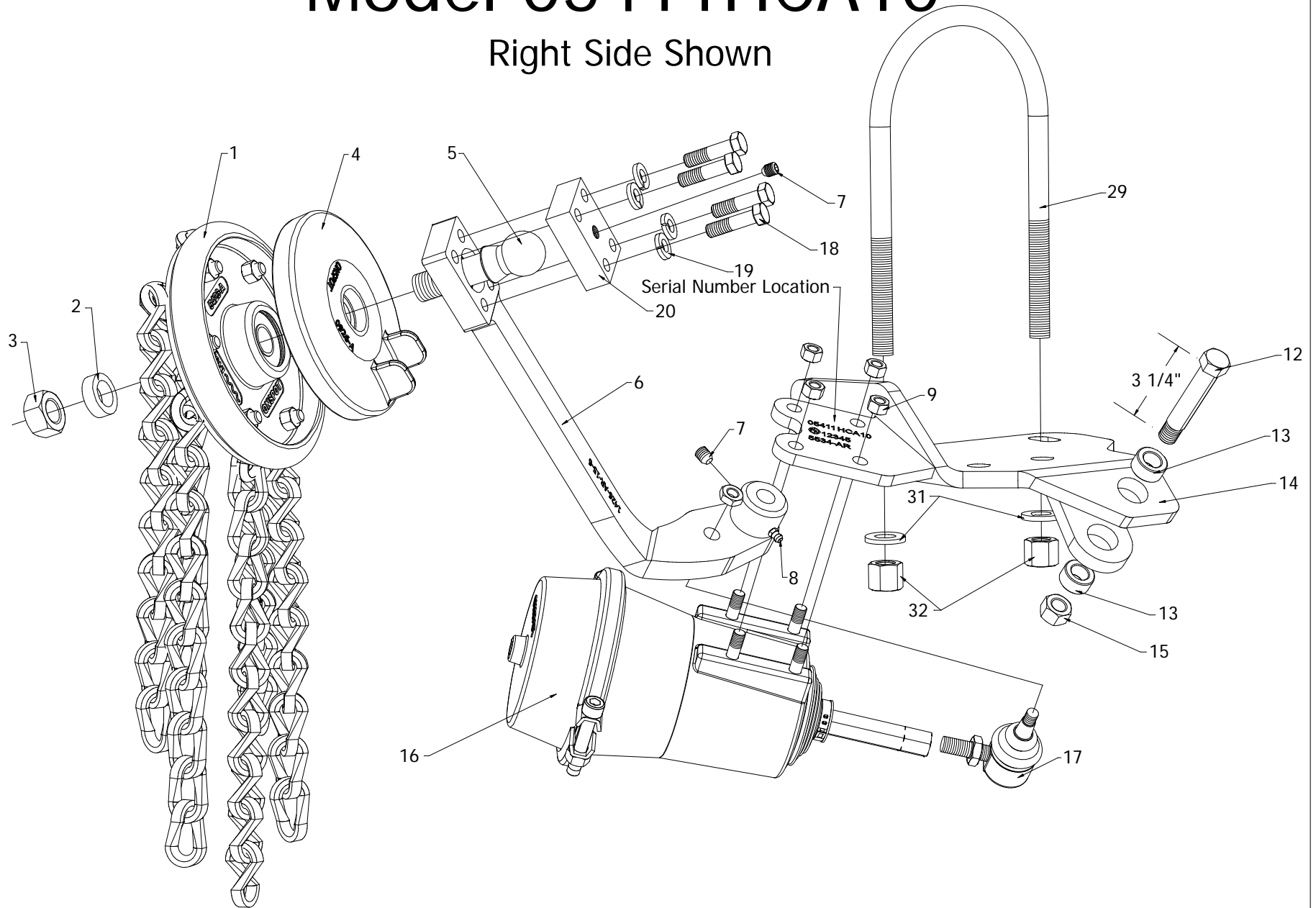
Automatic Tire Chains

Ref. No.	Part Number	Description
1	1392-AR-10	Complete Chainwheel Right Side (See Page 152 for Chainwheel Components)
	1392-AL-10	Complete Chainwheel Left Side
4	0130-A	Chainwheel Helmet
2	0450-A	Chainwheel Spacer
3	5211-A	M20 x 2.5 Chainwheel Bolt Nut
5	5262-A	M20 x 2.5 x 2 3/8" Adjustable Chainwheel Bolt
6	1426-AR-15-6	Arm for Right Side (Ships with Items 2, 3, 5, 7, 8, 18, 19, and 20)
	1426-AL-15-6	Arm for Left Side (Ships with Items 2, 3, 5, 7, 8, 18, 19, and 20)
7	1078-A	3/8-46 x 1/2" Set Screw
8	1026-A	1/4-28 Zirc Fitting
9	41755	M10 x 1.5 Nylock Nut
12	1077-A	Arm Bolt 3 1/4" Length
13	5487-A	Oilyte Bushing (2 per Cylinder Bracket)
14	5540-AR	Cylinder Bracket Right Side (Ships with Oilyte Bushing Installed)
	5540-AL	Cylinder Bracket Left Side
15	5365-A	M14 x 2.0 Arm Bolt Grip Nut
16	1037-B	Complete Cylinder (See Page 162 for Cylinder Components)
17	1005-A	Angle Joint
18	39056	3/8-16 x 1 1/2" Adjustable Arm Retainer Capscrew
19	39727	3/8" Adjustable Arm Lock Washer
20	7132-B	Retainer for Adjustable Arm Bolt
29	585090RT22	5/8-18 x 5 x 9" Leg Round Top U-Bolt
31	580057	5/8" U-bolt Washer
32	580058	5/8" U-bolt Nut
	05310HCA-AR	Complete Right Side Assembly without Chainwheel and Helmet
	05310HCA-AL	Complete Left Side Assembly without Chainwheel and Helmet
		Chainwheel Bolt Kit Includes
	5568-A	(1) 5262-A M20 x 2.5 x 2 3/8" Adjustable Chainwheel Bolt
		(1) 0450-A Chainwheel Spacer
		(1) 5211-A M20 x 2.5 Chainwheel Bolt Nut
		Arm Bearing Kit Includes
	5560-D	(1) 1077-A Arm Bolt 3 1/4" Length
		(1) 1078-A 3/8-46 x 1/2" Set Screw
		(2) 5487-A Oilyte Bushing
		(1) 5365-A M14 x 2.0 Arm Bolt Grip Nut

NOTE: Right (Passenger) side and Left (Driver) side part numbers apply for chains mounted forward of axle.

Model 05411HCA10

Right Side Shown





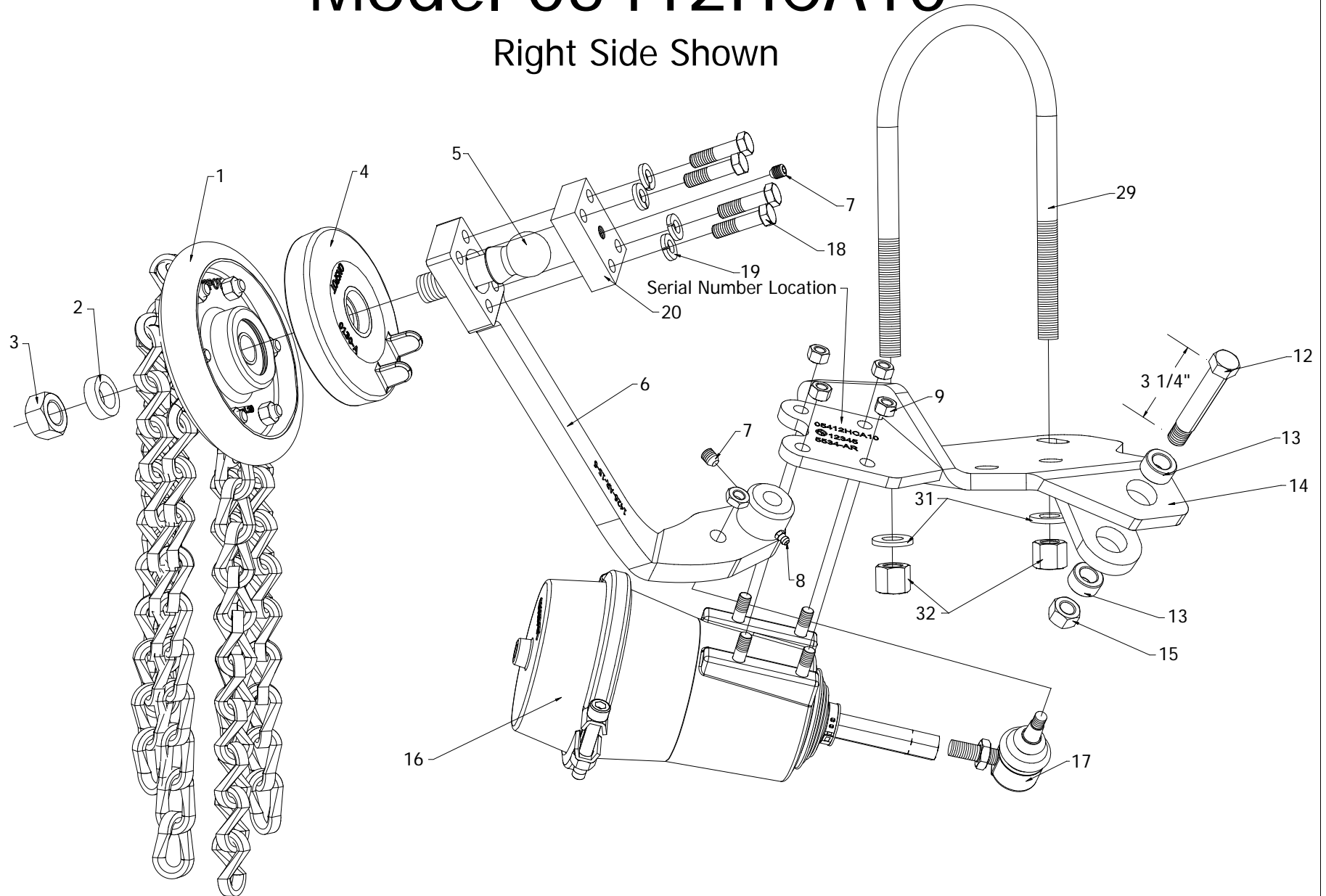
Automatic Tire Chains

Ref. No.	Part Number	Description
1	0925-AR	Complete Chainwheel Right Side (See Page 12: for Chainwheel Components)
	0925-AL	Complete Chainwheel Left Side
4	0926-A	Chainwheel Helmet
2	0450-A	Chainwheel Spacer
3	5211-A	M20 x 2.5 Chainwheel Bolt Nut
5	5262-A	M20 x 2.5 x 2 3/8" Adjustable Chainwheel Bolt
6	1426-AR-15-6	Arm for Right Side (Ships with Items 2, 3, 5, 7, 8, 18, 19, and 20)
	1426-AL-15-6	Arm for Left Side (Ships with Items 2, 3, 5, 7, 8, 18, 19, and 20)
7	1078-A	3/8-24 x 1/2" Set Screw
8	1026-A	1/4-28 Zirc Fitting
9	41755	M10 x 1.5 Nylock Nut
12	1077-A	Arm Bolt 3 1/4" Length
13	5487-A	Oilyte Bushing (2 per Cylinder Bracket)
14	5534-AR	Cylinder Bracket Right Side (Ships with Oilyte Bushing Installed)
	5534-AL	Cylinder Bracket Left Side
15	5365-A	M14 x 2.0 Arm Bolt Grip Nut
16	1037-B	Complete Cylinder (See Page 162 for Cylinder Components)
17	1005-A	Angle Joint
18	39056	3/8-16 x 1 1/2" Adjustable Arm Retainer Capscrew
19	39727	3/8" Adjustable Arm Lock Washer
20	7132-B	Retainer for Adjustable Arm Bolt
29	586011RT28	5/8-18 x 6 x 11" Leg Round Top U-Bolt
31	580057	5/8" U-bolt Washer
32	580058	5/8" U-bolt Nut
	05410HCA-AR	Complete Right Side Assembly without Chainwheel and Helmet
	05410HCA-AL	Complete Left Side Assembly without Chainwheel and Helmet
		Chainwheel Bolt Kit Includes
	5568-A	(1) 5262-A M20 x 2.5 x 2 3/8" Adjustable Chainwheel Bolt
		(1) 0450-A Chainwheel Spacer
		(1) 5211-A M20 x 2.5 Chainwheel Bolt Nut
		Arm Bearing Kit Includes
	5560-D	(1) 1077-A Arm Bolt 3 1/4" Length
		(1) 1078-A 3/8-24 x 1/2" Set Screw
		(2) 5487-A Oilyte Bushing
		(1) 5365-A M14 x 2.0 Arm Bolt Grip Nut

NOTE: Right (Passenger) side and Left (Driver) side part numbers apply for chains mounted forward of axle.

Model 05412HCA10

Right Side Shown





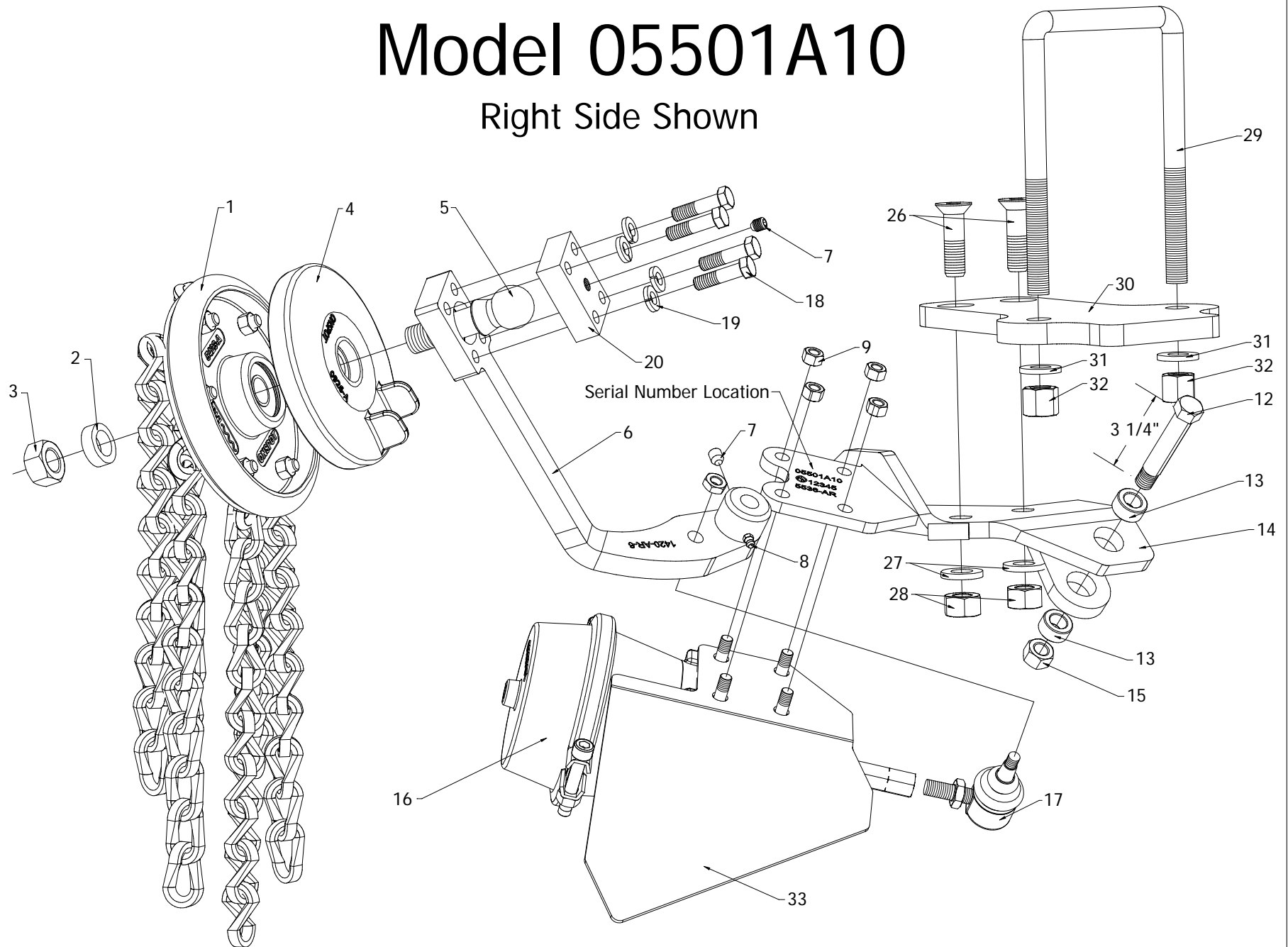
Automatic Tire Chains

Ref. No.	Part Number	Description
1	1392-AR-10	Complete Chainwheel Right Side (See Page 152 for Chainwheel Components)
	1392-AL-10	Complete Chainwheel Left Side
4	0130-A	Chainwheel Helmet
2	0450-A	Chainwheel Spacer
3	5211-A	M20 x 2.5 Chainwheel Bolt Nut
5	5262-A	M20 x 2.5 x 2 3/8" Adjustable Chainwheel Bolt
6	1426-AR-15-6	Arm for Right Side (Ships with Items 2, 3, 5, 7, 8, 18, 19, and 20)
	1426-AL-15-6	Arm for Left Side (Ships with Items 2, 3, 5, 7, 8, 18, 19, and 20)
7	1078-A	3/8-24 x 1/2" Set Screw
8	1026-A	1/4-28 Zirc Fitting
9	41755	M10 x 1.5 Nylock Nut
12	1077-A	Arm Bolt 3 1/4" Length
13	5487-A	Oilyte Bushing (2 per Cylinder Bracket)
14	5534-AR	Cylinder Bracket Right Side (Ships with Oilyte Bushing Installed)
	5534-AL	Cylinder Bracket Left Side
15	5365-A	M14 x 2.0 Arm Bolt Grip Nut
16	1037-B	Complete Cylinder (See Page 162 for Cylinder Components)
17	1005-A	Angle Joint
18	39056	3/8-16 x 1 1/2" Adjustable Arm Retainer Capscrew
19	39727	3/8" Adjustable Arm Lock Washer
20	7132-B	Retainer for Adjustable Arm Bolt
29	586011RT28	5/8-18 x 6 x 11" Leg Round Top U-Bolt
31	580057	5/8" U-bolt Washer
32	580058	5/8" U-bolt Nut
	05410HCA-AR	Complete Right Side Assembly without Chainwheel and Helmet
	05410HCA-AL	Complete Left Side Assembly without Chainwheel and Helmet
		Chainwheel Bolt Kit Includes
	5568-A	(1) 5262-A M20 x 2.5 x 2 3/8" Adjustable Chainwheel Bolt
		(1) 0450-A Chainwheel Spacer
		(1) 5211-A M20 x 2.5 Chainwheel Bolt Nut
		Arm Bearing Kit Includes
	5560-D	(1) 1077-A Arm Bolt 3 1/4" Length
		(1) 1078-A 3/8-24 x 1/2" Set Screw
		(2) 5487-A Oilyte Bushing
		(1) 5365-A M14 x 2.0 Arm Bolt Grip Nut

NOTE: Right (Passenger) side and Left (Driver) side part numbers apply for chains mounted forward of axle.

Model 05501A10

Right Side Shown





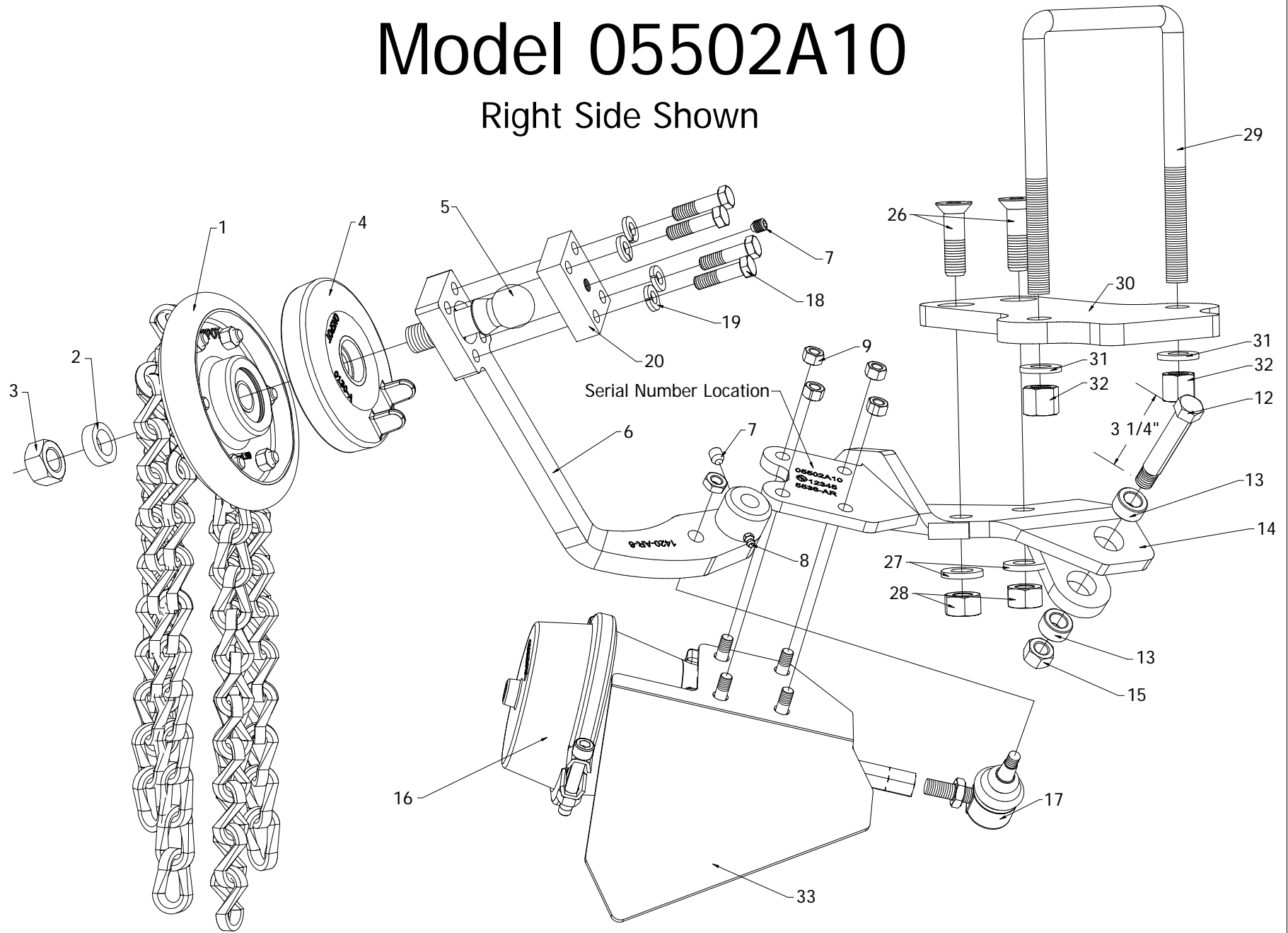
Automatic Tire Chains

Ref. No.	Part Number	Description
1	0925-AR	Complete Chainwheel Right Side (See Page 12: for Chainwheel Components)
	0925-AL	Complete Chainwheel Left Side
4	0926-A	Chainwheel Helmet
2	0450-A	Chainwheel Spacer
3	5211-A	M20 x 2.5 Chainwheel Bolt Nut
5	5262-A	M20 x 2.5 x 2 3/8" Adjustable Chainwheel Bolt
6	1420-AR-6	Arm for Right Side (Ships with Items 2, 3, 5, 7, 8, 18, 19, and 20)
	1420-AL-6	Arm for Left Side (Ships with Items 2, 3, 5, 7, 8, 18, 19, and 20)
7	1078-A	3/8-24 x 1/2" Set Screw
8	1026-A	1/4-28 Zirc Fitting
9	41755	M10 x 1.5 Nylock Nut
12	1077-A	Arm Bolt 3 1/4" Length
13	5487-A	Oilyte Bushing (2 per Cylinder Bracket)
14	5536-AR	Cylinder Bracket Right Side (Ships with Oilyte Bushing Installed)
	5536-AL	Cylinder Bracket Left Side
15	5365-A	M14 x 2.0 Arm Bolt Grip Nut
16	1037-B	Complete Cylinder (See Page 162 for Cylinder Components)
17	1005-A	Angle Joint
18	39056	3/8-16 x 1 1/2" Adjustable Arm Retainer Capscrew
19	39727	3/8" Adjustable Arm Lock Washer
20	7132-B	Retainer for Adjustable Arm Bolt
26	24405	5/8-11 x 2" Countersunk Socket Head Capscrew
27	39707-A	5/8" Flat Washer
28	36786-A	5/8" Grip Nut
29	584585ST22	5/8-18 x 4 1/2 x 8 1/2" Leg Square Top U-Bolt
30	5536-4-AR	Mounting Adapter Plate
	5536-4-AL	Mounting Adapter Plate
31	580057	5/8" U-bolt Washer
32	580058	5/8" U-bolt Nut
33	9999-TR	Onspot Chain Trays
	05500A-AR	Complete Right Side Assembly without Chainwheel and Helmet
	05500A-AL	Complete Left Side Assembly without Chainwheel and Helmet
		Chainwheel Bolt Kit Includes
	5568-A	(1) 5262-A M20 x 2.5 x 2 3/8" Adjustable Chainwheel Bolt
		(1) 0450-A Chainwheel Spacer
		(1) 5211-A M20 x 2.5 Chainwheel Bolt Nut
		Arm Bearing Kit Includes
	5560-D	(1) 1077-A Arm Bolt 3 1/4" Length
		(1) 1078-A 3/8-24 x 1/2" Set Screw
		(2) 5487-A Oilyte Bushing
		(1) 5365-A M14 x 2.0 Arm Bolt Grip Nut

NOTE: Right (Passenger) side and Left (Driver) side part numbers apply for chains mounted forward of axle.

Model 05502A10

Right Side Shown





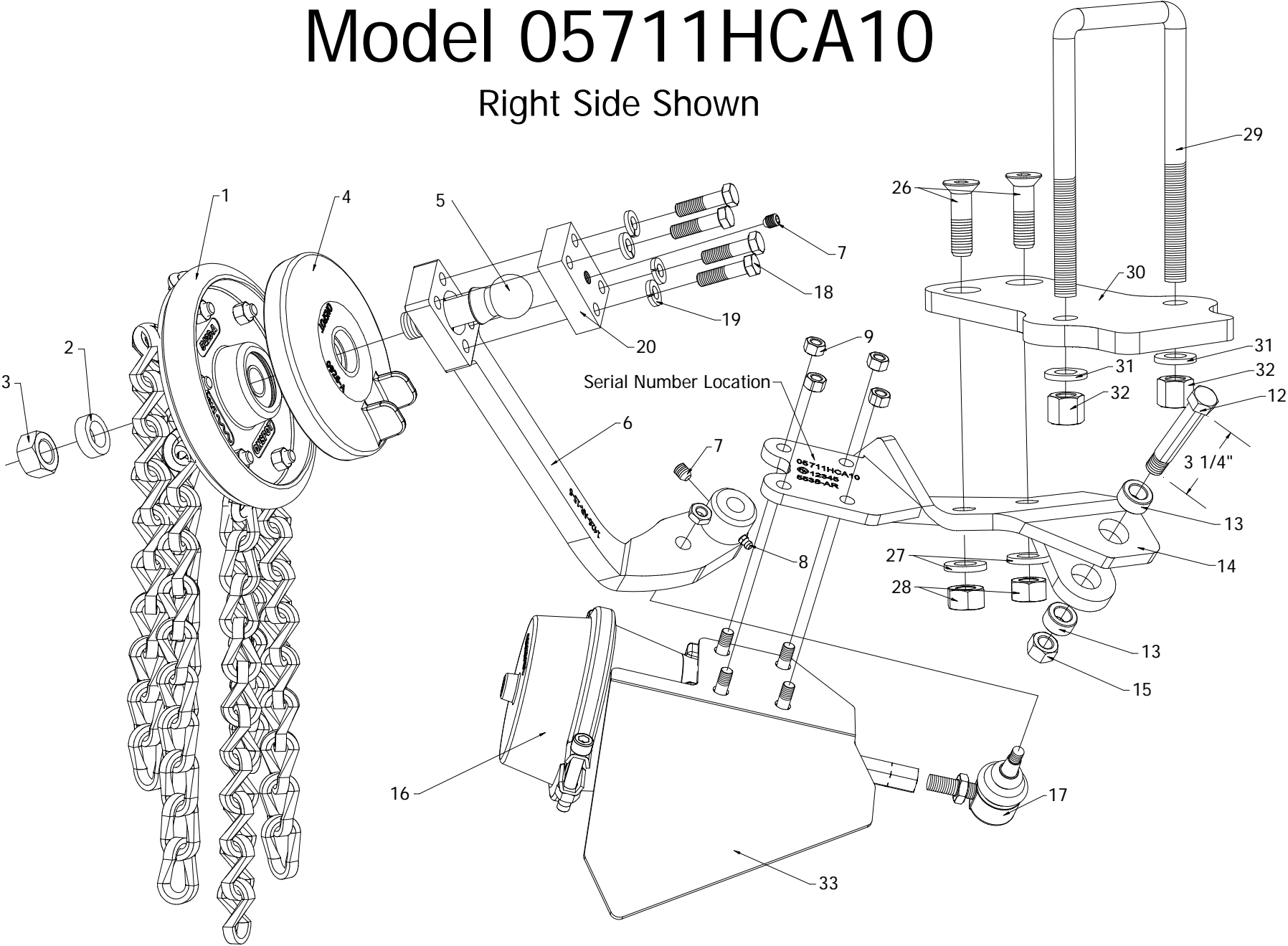
Automatic Tire Chains

Ref. No.	Part Number	Description
1	1392-AR-10	Complete Chainwheel Right Side (See Page 152 for Chainwheel Components)
	1392-AL-10	Complete Chainwheel Left Side
4	0130-A	Chainwheel Helmet
2	0450-A	Chainwheel Spacer
3	5211-A	M20 x 2.5 Chainwheel Bolt Nut
5	5262-A	M20 x 2.5 x 2 3/8" Adjustable Chainwheel Bolt
6	1420-AR-6	Arm for Right Side (Ships with Items 2, 3, 5, 7, 8, 18, 19, and 20)
	1420-AL-6	Arm for Left Side (Ships with Items 2, 3, 5, 7, 8, 18, 19, and 20)
7	1078-A	3/8-24 x 1/2" Set Screw
8	1026-A	1/4-28 Zinc Fitting
9	41755	M10 x 1.5 Nylock Nut
12	1077-A	Arm Bolt 3 1/4" Length
13	5487-A	Oilyte Bushing (2 per Cylinder Bracket)
14	5536-AR	Cylinder Bracket Right Side (Ships with Oilyte Bushing Installed)
	5536-AL	Cylinder Bracket Left Side
15	5365-A	M14 x 2.0 Arm Bolt Grip Nut
16	1037-B	Complete Cylinder (See Page 162 for Cylinder Components)
17	1005-A	Angle Joint
18	39056	3/8-16 x 1 1/2" Adjustable Arm Retainer Capscrew
19	39727	3/8" Adjustable Arm Lock Washer
20	7132-B	Retainer for Adjustable Arm Bolt
26	24405	5/8-11 x 2" Countersunk Socket Head Capscrew
27	39707-A	5/8" Flat Washer
28	36786-A	5/8" Grip Nut
29	584585ST22	5/8-18 x 4 1/2 x 8 1/2" Leg Square Top U-Bolt
30	5536-4-AR	Mounting Adapter Plate
	5536-4-AL	Mounting Adapter Plate
31	580057	5/8" U-bolt Washer
32	580058	5/8" U-bolt Nut
33	9999-TR	Onspot Chain Trays
	05500A-AR	Complete Right Side Assembly without Chainwheel and Helmet
	05500A-AL	Complete Left Side Assembly without Chainwheel and Helmet
		Chainwheel Bolt Kit Includes
	5568-A	(1) 5262-A M20 x 2.5 x 2 3/8" Adjustable Chainwheel Bolt
		(1) 0450-A Chainwheel Spacer
		(1) 5211-A M20 x 2.5 Chainwheel Bolt Nut
		Arm Bearing Kit Includes
	5560-D	(1) 1077-A Arm Bolt 3 1/4" Length
		(1) 1078-A 3/8-24 x 1/2" Set Screw
		(2) 5487-A Oilyte Bushing
		(1) 5365-A M14 x 2.0 Arm Bolt Grip Nut

NOTE: Right (Passenger) side and Left (Driver) side part numbers apply for chains mounted forward of axle.

Model 05711HCA10

Right Side Shown





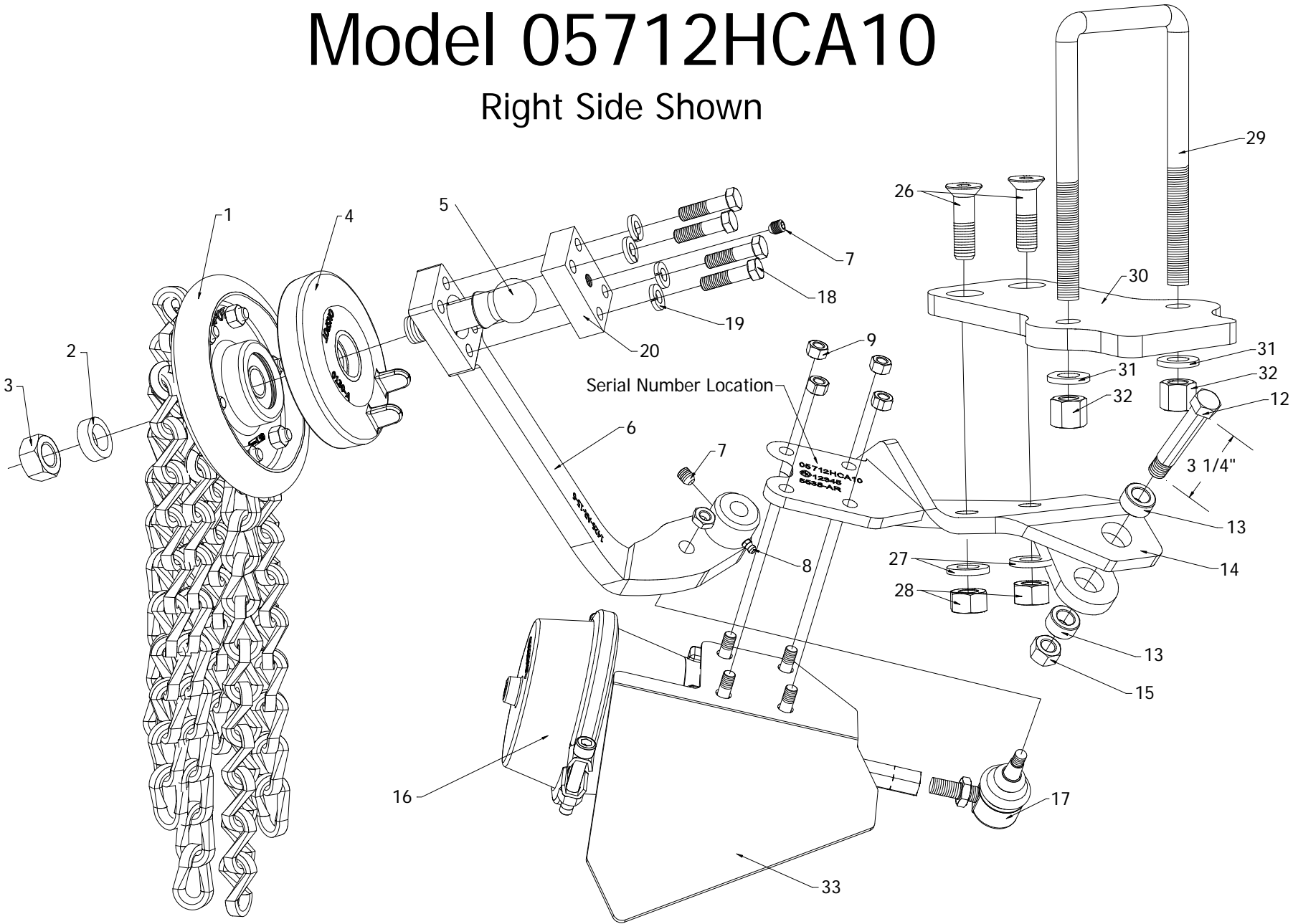
Automatic Tire Chains

Ref. No.	Part Number	Description
1	0925-AR	Complete Chainwheel Right Side (See Page 12: for Chainwheel Components)
	0925-AL	Complete Chainwheel Left Side
4	0926-A	Chainwheel Helmet
2	0450-A	Chainwheel Spacer
3	5211-A	M20 x 2.5 Chainwheel Bolt Nut
5	5262-A	M20 x 2.5 x 2 3/8" Adjustable Chainwheel Bolt
6	1426-AR-15-6	Arm for Right Side (Ships with Items 2, 3, 5, 7, 8, 18, 19, and 20)
	1426-AL-15-6	Arm for Left Side (Ships with Items 2, 3, 5, 7, 8, 18, 19, and 20)
7	1078-A	3/8-24 x 1/2" Set Screw
8	1026-A	1/4-28 Zirc Fitting
9	41755	M10 x 1.5 Nylock Nut
12	1077-A	Arm Bolt 3 1/4" Length
13	5487-A	Oilyte Bushing (2 per Cylinder Bracket)
14	5538-AR	Cylinder Bracket Right Side (Ships with Oilyte Bushing Installed)
	5538-AL	Cylinder Bracket Left Side
15	5365-A	M14 x 2.0 Arm Bolt Grip Nut
16	1037-B	Complete Cylinder (See Page 162 for Cylinder Components)
17	1005-A	Angle Joint
18	39056	3/8-16 x 1 1/2" Adjustable Arm Retainer Capscrew
19	39727	3/8" Adjustable Arm Lock Washer
20	7132-B	Retainer for Adjustable Arm Bolt
26	24405	5/8-11 x 2" Countersunk Socket Head Capscrew
27	39707-A	5/8" Flat Washer
28	36786-A	5/8" Grip Nut
29	583580ST20	5/8-18 x 3 1/2 x 8" Leg Square Top U-Bolt
30	5538-4-AR	Mounting Adapter Plate
	5538-4-AL	Mounting Adapter Plate
31	580057	5/8" U-bolt Washer
32	580058	5/8" U-bolt Nut
33	9999-TR	Onspot Chain Trays
	05710HCA-AR	Complete Right Side Assembly without Chainwheel and Helmet
	05710HCA-AL	Complete Left Side Assembly without Chainwheel and Helmet
		Chainwheel Bolt Kit Includes
	5568-A	(1) 5262-A M20 x 2.5 x 2 3/8" Adjustable Chainwheel Bolt
		(1) 0450-A Chainwheel Spacer
		(1) 5211-A M20 x 2.5 Chainwheel Bolt Nut
		Arm Bearing Kit Includes
	5560-D	(1) 1077-A Arm Bolt 3 1/4" Length
		(1) 1078-A 3/8-24 x 1/2" Set Screw
		(2) 5487-A Oilyte Bushing
		(1) 5365-A M14 x 2.0 Arm Bolt Grip Nut

NOTE: Right (Passenger) side and Left (Driver) side part numbers apply for chains mounted forward of axle.

Model 05712HCA10

Right Side Shown





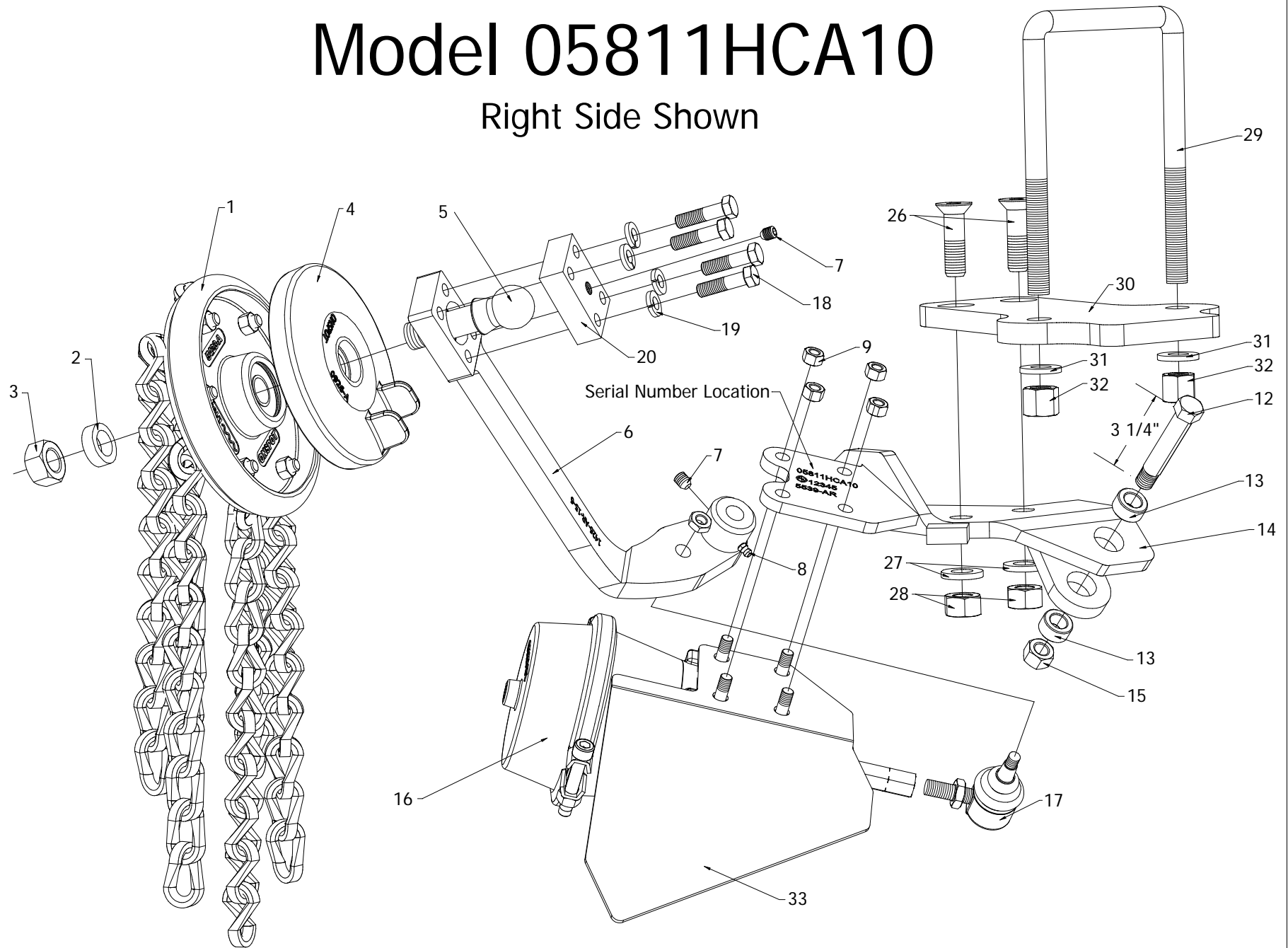
Automatic Tire Chains

Ref. No.	Part Number	Description
1	1392-AR-10	Complete Chainwheel Right Side (See Page 152 for Chainwheel Components)
	1392-AL-10	Complete Chainwheel Left Side
4	0130-A	Chainwheel Helmet
2	0450-A	Chainwheel Spacer
3	5211-A	M20 x 2.5 Chainwheel Bolt Nut
5	5262-A	M20 x 2.5 x 2 3/8" Adjustable Chainwheel Bolt
6	1426-AR-15-6	Arm for Right Side (Ships with Items 2, 3, 5, 7, 8, 18, 19, and 20)
	1426-AL-15-6	Arm for Left Side (Ships with Items 2, 3, 5, 7, 8, 18, 19, and 20)
7	1078-A	3/8-24 x 1/2" Set Screw
8	1026-A	1/4-28 Zirc Fitting
9	41755	M10 x 1.5 Nylock Nut
12	1077-A	Arm Bolt 3 1/4" Length
13	5487-A	Oilyte Bushing (2 per Cylinder Bracket)
14	5538-AR	Cylinder Bracket Right Side (Ships with Oilyte Bushing Installed)
	5538-AL	Cylinder Bracket Left Side
15	5365-A	M14 x 2.0 Arm Bolt Grip Nut
16	1037-B	Complete Cylinder (See Page 162 for Cylinder Components)
17	1005-A	Angle Joint
18	39056	3/8-16 x 1 1/2" Adjustable Arm Retainer Capscrew
19	39727	3/8" Adjustable Arm Lock Washer
20	7132-B	Retainer for Adjustable Arm Bolt
26	24405	5/8-11 x 2" Countersunk Socket Head Capscrew
27	39707-A	5/8" Flat Washer
28	36786-A	5/8" Grip Nut
29	583580ST20	5/8-18 x 3 1/2 x 8" Leg Square Top U-Bolt
30	5538-4-AR	Mounting Adapter Plate
	5538-4-AL	Mounting Adapter Plate
31	580057	5/8" U-bolt Washer
32	580058	5/8" U-bolt Nut
33	9999-TR	Onspot Chain Trays
	05710HCA-AR	Complete Right Side Assembly without Chainwheel and Helmet
	05710HCA-AL	Complete Left Side Assembly without Chainwheel and Helmet
		Chainwheel Bolt Kit Includes
	5568-A	(1) 5262-A M20 x 2.5 x 2 3/8" Adjustable Chainwheel Bolt
		(1) 0450-A Chainwheel Spacer
		(1) 5211-A M20 x 2.5 Chainwheel Bolt Nut
		Arm Bearing Kit Includes
	5560-D	(1) 1077-A Arm Bolt 3 1/4" Length
		(1) 1078-A 3/8-24 x 1/2" Set Screw
		(2) 5487-A Oilyte Bushing
		(1) 5365-A M14 x 2.0 Arm Bolt Grip Nut

NOTE: Right (Passenger) side and Left (Driver) side part numbers apply for chains mounted forward of axle.

Model 05811HCA10

Right Side Shown





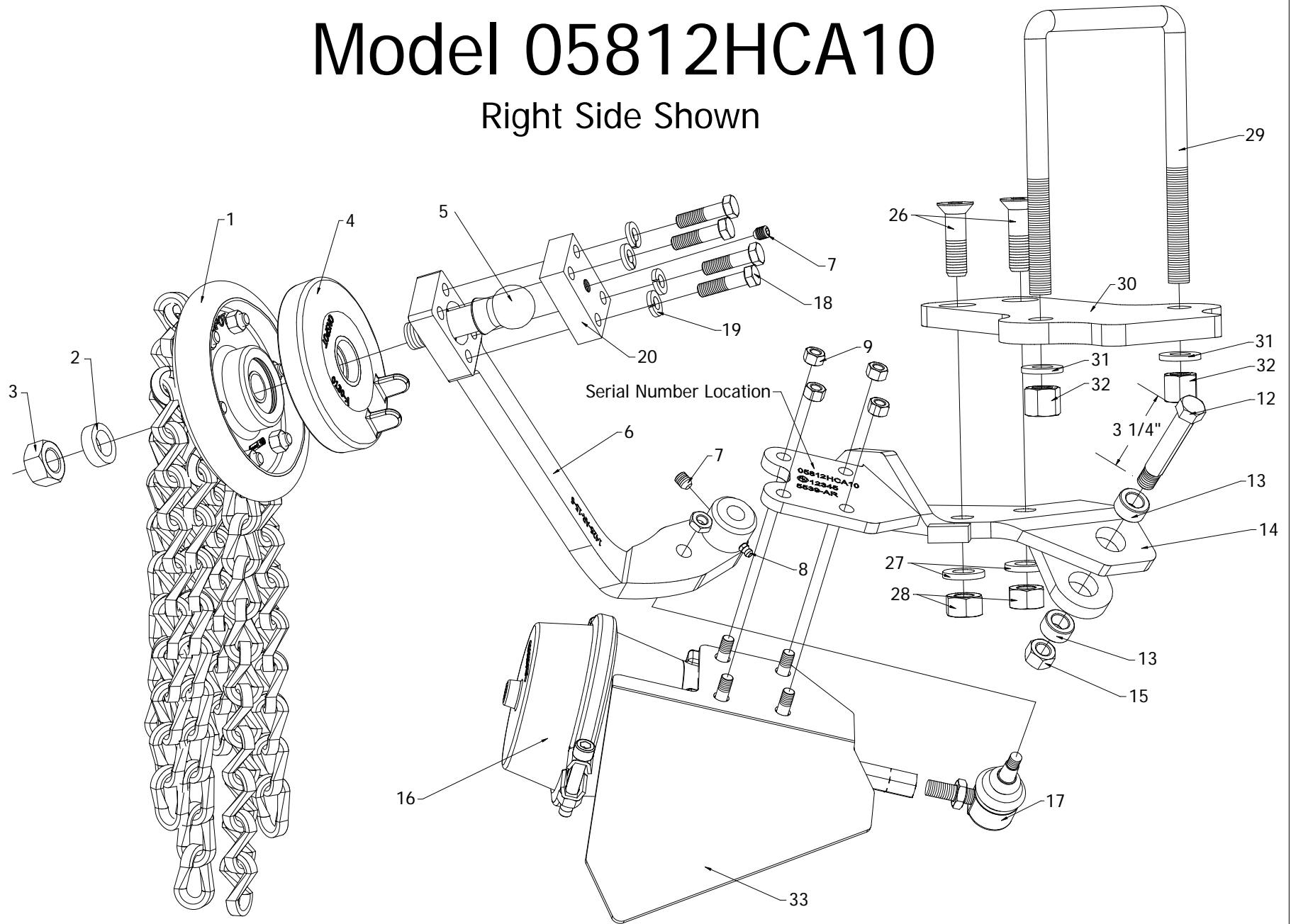
Automatic Tire Chains

Ref. No.	Part Number	Description
1	0925-AR	Complete Chainwheel Right Side (See Page 12: for Chainwheel Components)
	0925-AL	Complete Chainwheel Left Side
4	0926-A	Chainwheel Helmet
2	0450-A	Chainwheel Spacer
3	5211-A	M20 x 2.5 Chainwheel Bolt Nut
5	5262-A	M20 x 2.5 x 2 3/8" Adjustable Chainwheel Bolt
6	1426-AR-15-6	Arm for Right Side (Ships with Items 2, 3, 5, 7, 8, 18, 19, and 20)
	1426-AL-15-6	Arm for Left Side (Ships with Items 2, 3, 5, 7, 8, 18, 19, and 20)
7	1078-A	3/8-24 x 1/2" Set Screw
8	1026-A	1/4-28 Zirc Fitting
9	41755	M10 x 1.5 Nylock Nut
12	1077-A	Arm Bolt 3 1/4" Length
13	5487-A	Oilyte Bushing (2 per Cylinder Bracket)
14	5539-AR	Cylinder Bracket Right Side (Ships with Oilyte Bushing Installed)
	5539-AL	Cylinder Bracket Left Side
15	5365-A	M14 x 2.0 Arm Bolt Grip Nut
16	1037-B	Complete Cylinder (See Page 162 for Cylinder Components)
17	1005-A	Angle Joint
18	39056	3/8-16 x 1 1/2" Adjustable Arm Retainer Capscrew
19	39727	3/8" Adjustable Arm Lock Washer
20	7132-B	Retainer for Adjustable Arm Bolt
26	24405	5/8-11 x 2" Countersunk Socket Head Capscrew
27	39707-A	5/8" Flat Washer
28	36786-A	5/8" Grip Nut
29	584585ST20	5/8-18 x 4 1/2 x 8 1/2" Leg Square Top U-Bolt
30	5536-4-AR	Mounting Adapter Plate
	5536-4-AL	Mounting Adapter Plate
31	580057	5/8" U-bolt Washer
32	580058	5/8" U-bolt Nut
33	9999-TR	Onspot Chain Trays
	05810HCA-AR	Complete Right Side Assembly without Chainwheel and Helmet
	05810HCA-AL	Complete Left Side Assembly without Chainwheel and Helmet
		Chainwheel Bolt Kit Includes
	5568-A	(1) 5262-A M20 x 2.5 x 2 3/8" Adjustable Chainwheel Bolt
		(1) 0450-A Chainwheel Spacer
		(1) 5211-A M20 x 2.5 Chainwheel Bolt Nut
		Arm Bearing Kit Includes
	5560-D	(1) 1077-A Arm Bolt 3 1/4" Length
		(1) 1078-A 3/8-24 x 1/2" Set Screw
		(2) 5487-A Oilyte Bushing
		(1) 5365-A M14 x 2.0 Arm Bolt Grip Nut

NOTE: Right (Passenger) side and Left (Driver) side part numbers apply for chains mounted forward of axle.

Model 05812HCA10

Right Side Shown



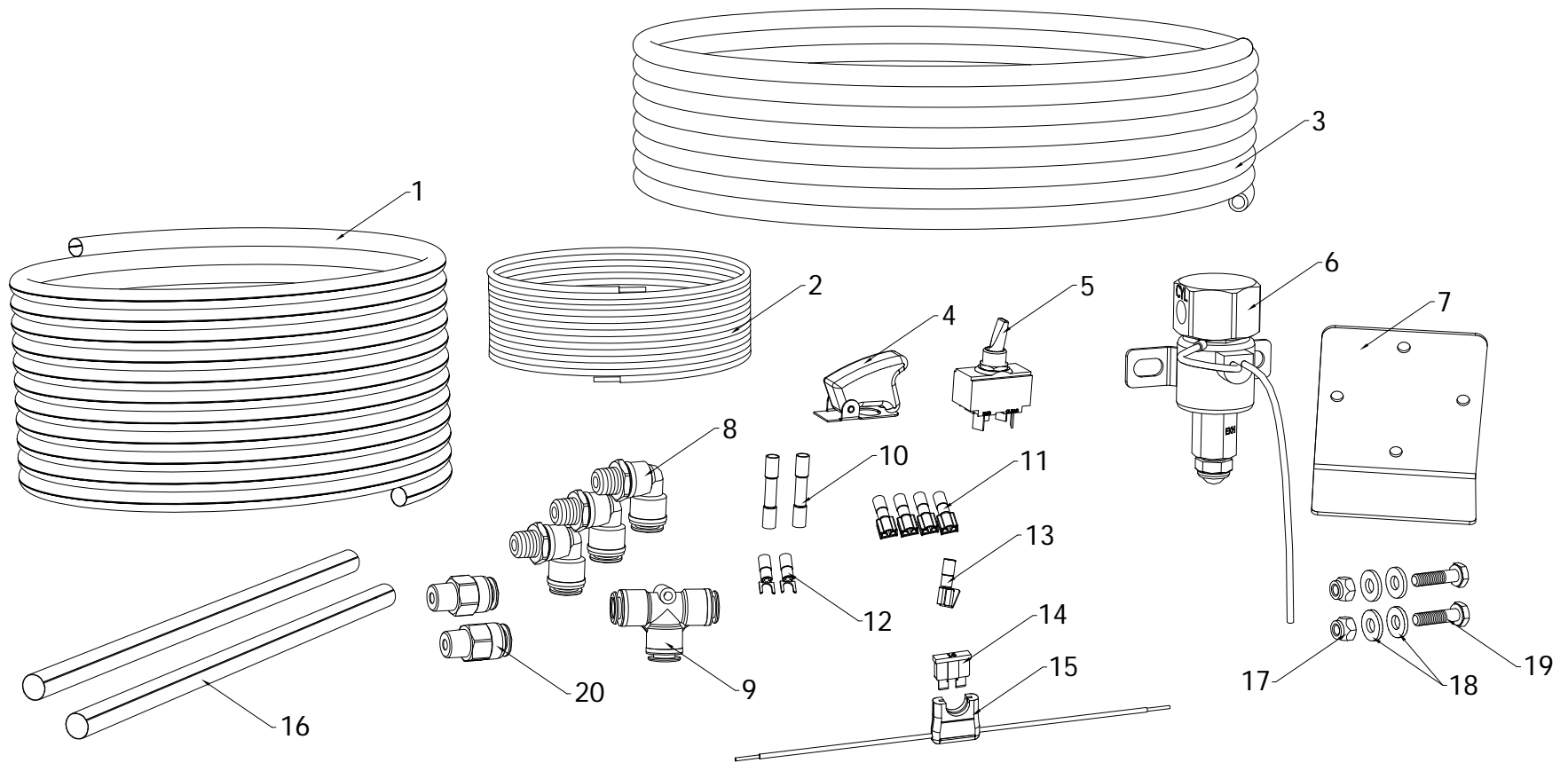


Automatic Tire Chains

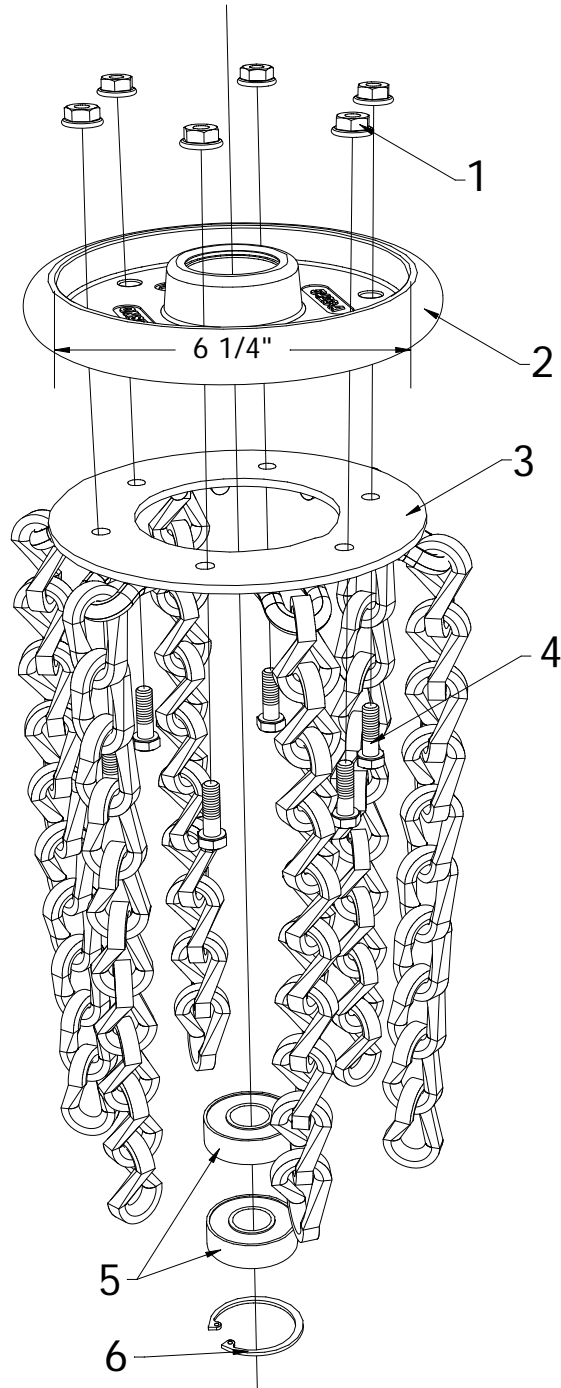
Ref. No.	Part Number	Description
1	1392-AR-10	Complete Chainwheel Right Side (See Page 152 for Chainwheel Components)
	1392-AL-10	Complete Chainwheel Left Side
4	0130-A	Chainwheel Helmet
2	0450-A	Chainwheel Spacer
3	5211-A	M20 x 2.5 Chainwheel Bolt Nut
5	5262-A	M20 x 2.5 x 2 3/8" Adjustable Chainwheel Bolt
6	1426-AR-15-6	Arm for Right Side (Ships with Items 2, 3, 5, 7, 8, 18, 19, and 20)
	1426-AL-15-6	Arm for Left Side (Ships with Items 2, 3, 5, 7, 8, 18, 19, and 20)
7	1078-A	3/8-24 x 1/2" Set Screw
8	1026-A	1/4-28 Zirc Fitting
9	41755	M10 x 1.5 Nylock Nut
12	1077-A	Arm Bolt 3 1/4" Length
13	5487-A	Oilyte Bushing (2 per Cylinder Bracket)
14	5539-AR	Cylinder Bracket Right Side (Ships with Oilyte Bushing Installed)
	5539-AL	Cylinder Bracket Left Side
15	5365-A	M14 x 2.0 Arm Bolt Grip Nut
16	1037-B	Complete Cylinder (See Page 162 for Cylinder Components)
17	1005-A	Angle Joint
18	39056	3/8-16 x 1 1/2" Adjustable Arm Retainer Capscrew
19	39727	3/8" Adjustable Arm Lock Washer
20	7132-B	Retainer for Adjustable Arm Bolt
26	24405	5/8-11 x 2" Countersunk Socket Head Capscrew
27	39707-A	5/8" Flat Washer
28	36786-A	5/8" Grip Nut
29	584585ST20	5/8-18 x 4 1/2 x 8 1/2" Leg Square Top U-Bolt
30	5536-4-AR	Mounting Adapter Plate
	5536-4-AL	Mounting Adapter Plate
31	580057	5/8" U-bolt Washer
32	580058	5/8" U-bolt Nut
33	9999-TR	Onspot Chain Trays
	05810HCA-AR	Complete Right Side Assembly without Chainwheel and Helmet
	05810HCA-AL	Complete Left Side Assembly without Chainwheel and Helmet
		Chainwheel Bolt Kit Includes
	5568-A	(1) 5262-A M20 x 2.5 x 2 3/8" Adjustable Chainwheel Bolt
		(1) 0450-A Chainwheel Spacer
		(1) 5211-A M20 x 2.5 Chainwheel Bolt Nut
		Arm Bearing Kit Includes
	5560-D	(1) 1077-A Arm Bolt 3 1/4" Length
		(1) 1078-A 3/8-24 x 1/2" Set Screw
		(2) 5487-A Oilyte Bushing
		(1) 5365-A M14 x 2.0 Arm Bolt Grip Nut

NOTE: Right (Passenger) side and Left (Driver) side part numbers apply for chains mounted forward of axle.

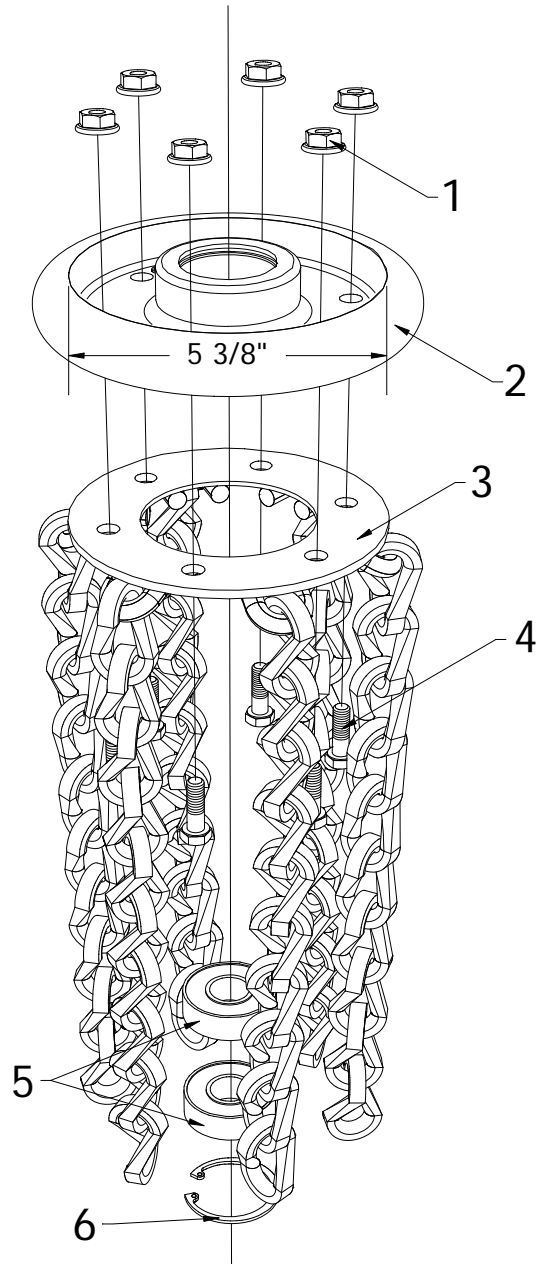
0586-D Factory Air Kit



0925-AR 190mm Chain Wheel



1392-AR-10 170mm Chain Wheel





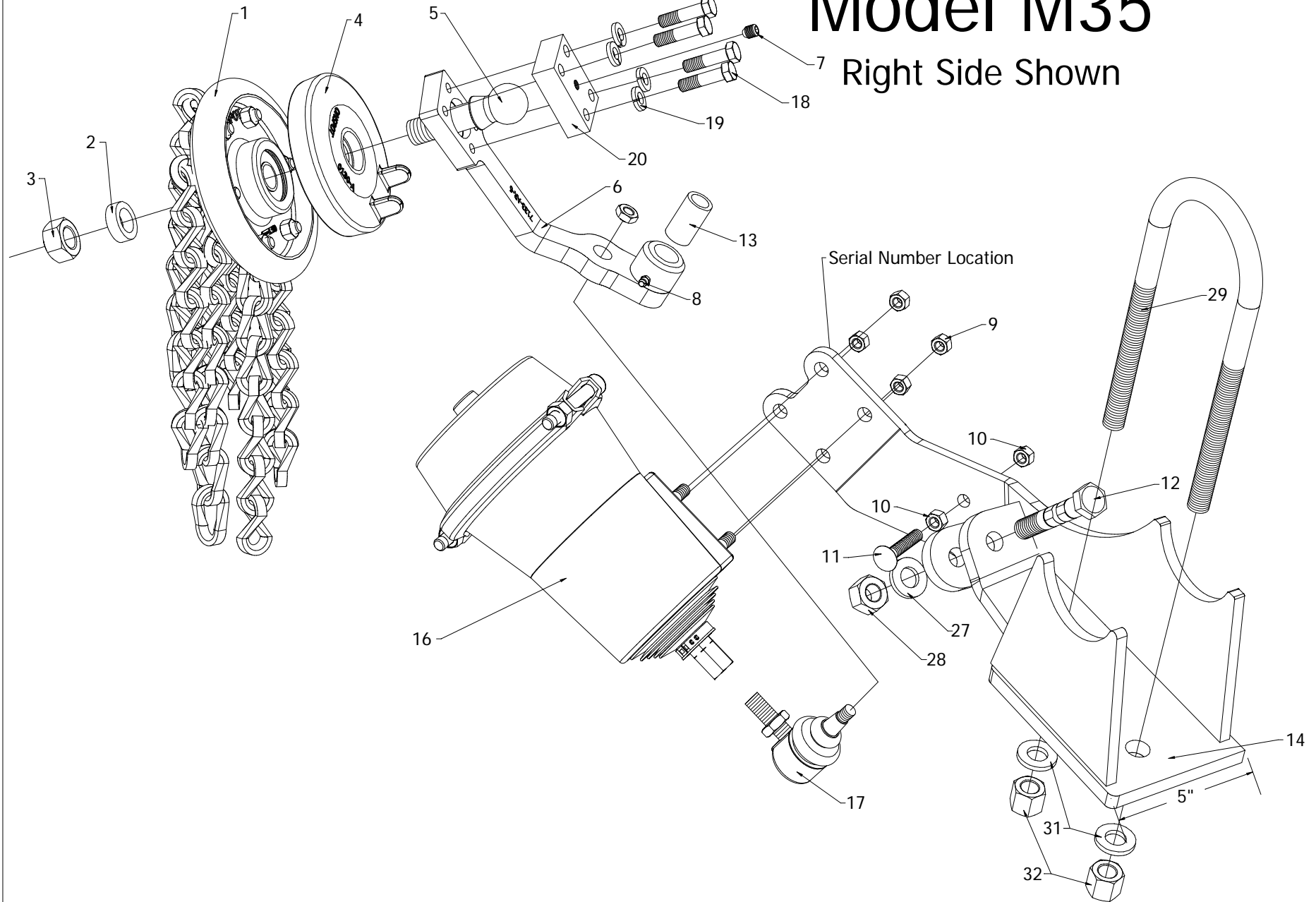
Automatic Tire Chains

Ref. No.	Part Number	Description
1	46991	5/16-24 Flanged Nut (6 per Chainwheel)
2	1331-A	Chainwheel without Chains (ships with Bearings Ref 5 and Snap Ring Ref 6 installed)
3	1329-AR-10	Chainplate for Right Side w/10 Links of Chain
	1329-AL-10	Chainplate for Left Side w/10 Links of Chain
4	39329	5/16-24 x 1" Chainplate Bolt (6 per Chainwheel)
5	5024-A	Bearing (2 per Chainwheel) (Repair Kit Available, Shown Below)
6	5026-A	Snap Ring
	1329-AR-9	Chainplate for Right Side w/9 Links of Chain
	1329-AL-9	Chainplate for Left Side w/9 Links of Chain
	1329-AR-8	Chainplate for Right Side w/8 Links of Chain
	1329-AL-8	Chainplate for Left Side w/8 Links of Chain
	1329-AR-7	Chainplate for Right Side w/7 Links of Chain
	1329-AL-7	Chainplate for Left Side w/7 Links of Chain
	1392-AR-10	Complete Chainwheel for Right Side w/10 Links of Chain
	1392-AL-10	Complete Chainwheel for Left Side w/10 Links of Chain
	1392-AR-9	Complete Chainwheel for Right Side w/9 Links of Chain
	1392-AL-9	Complete Chainwheel for Left Side w/9 Links of Chain
	1392-AR-8	Complete Chainwheel for Right Side w/8 Links of Chain
	1392-AL-8	Complete Chainwheel for Left Side w/8 Links of Chain
	1392-AR-7	Complete Chainwheel for Right Side w/7 Links of Chain
	1392-AL-7	Complete Chainwheel for Left Side w/7 Links of Chain
		Chainwheel Bearing Kit includes
	5563-A	(2) 5024-A Bearing
		(1) 5026-A Snap Ring

NOTE: 1331-A Chainwheel ships with 6 each Bolt Ref 4 and Nut Ref 1
 1392-AR-10 And AL-10 Chainplates ship with 6 each Bolt Ref 4 and Nut Ref 1
 1392-AR-9 And AL-9 Chainplates ship with 6 each Bolt Ref 4 and Nut Ref 1
 1392-AR-8 And AL-8 Chainplates ship with 6 each Bolt Ref 4 and Nut Ref 1
 1392-AR-7 And AL-7 Chainplates ship with 6 each Bolt Ref 4 and Nut Ref 1

Model M35

Right Side Shown





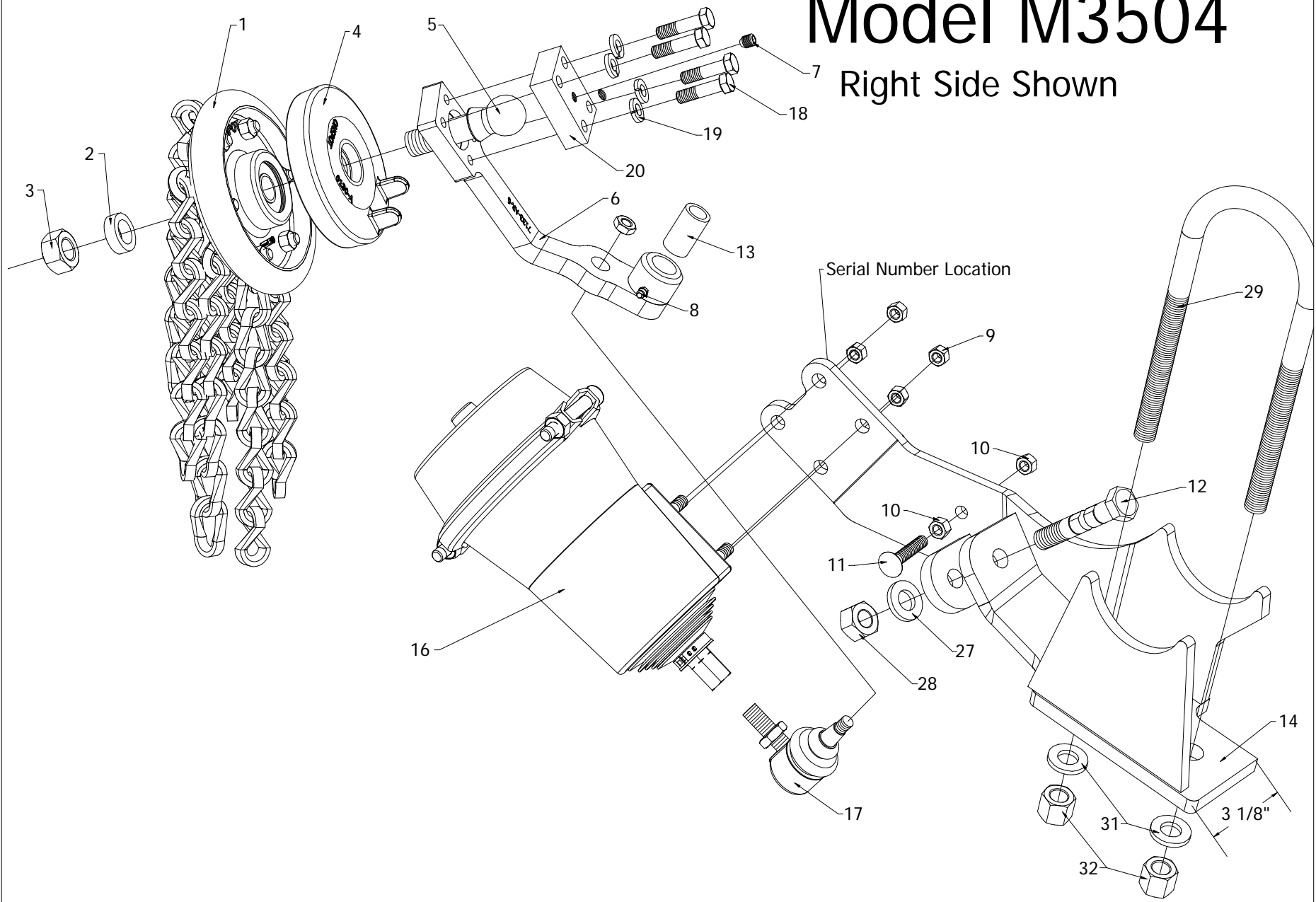
Automatic Tire Chains

Ref. No.	Part Number	Description
1	1392-AR-7	Complete Chainwheel Right Side (See Page 152 for Chainwheel Components)
	1392-AL-7	Complete Chainwheel Left Side
4	0130-A	Chainwheel Helmet
2	0450-A	Chainwheel Spacer
3	5211-A	M20 x 2.5 Chainwheel Bolt Nut
5	5262-A	M20 x 2.5 x 2 3/8" Adjustable Chainwheel Bolt
6	7133-AR-6	Arm for Right Side (Ships with items 5, 7, 8, 13, 18, 19, and 20)
	7133-AL-6	Arm for Left Side (Ships with items 5, 7, 8, 13, 18, 19, and 20)
7	1078-A	3/8-24 x 1/2" Set Screw
8	1026-A	1/4-28 Zirc Fitting
9	41755	M10 x 1.5 Nylock Nut
12	1075-A	5/8-11 Arm Bolt
13	5489-A	Brass Sleeve 5/8" ID x 7/8" OD x 1 1/2" Long
14	7353-AR	Cylinder Bracket Right Side
	7353-AL	Cylinder Bracket Left Side
16	1037-A	Complete Cylinder (See Page 162 for Cylinder Components)
17	1005-A	Angle Joint
18	39056	3/8-16 x 1 1/2" Adjustable Arm Retainer Capscrew
19	39727	3/8" Adjustable Arm Lock Washer
20	7132-B	Retainer for Adjustable Arm Bolt
27	39707-A	5/8" Flat Washer
28	36786-A	5/8-11 Grip Nut
29	213590	5/8-18 x 3 1/2 x 9" Leg Round Top U-Bolt
31	580057	5/8" U-bolt Washer
32	580058	5/8" U-bolt Nut
	M-35-AR	Complete Right Side Assembly without Chainwheel and Helmet
	M-35-AL	Complete Left Side Assembly without Chainwheel and Helmet
		Chainwheel Bolt Kit Includes
	5568-A	(1) 5262-A M20 x 2.5 x 2 3/8" Adjustable Chainwheel Bolt
		(1) 0450-A Chainwheel Spacer
		(1) 5211-A M20 x 2.5 Chainwheel Bolt Nut
		Arm Sleeve Kit Includes
	5567-B	(1) 1075-A Arm Bolt 3 1/2" Length
		(1) 5489-A Brass Sleeve 5/8" ID x 7/8" OD x 1 1/2" Long
		(1) 39707-A 5/8" Flat Washer
		(1) 36786-A 5/8-11 Grip Nut

NOTE: Right (Passenger) side and Left (Driver) side part numbers apply for chains mounted forward of axle.

Model M3504

Right Side Shown





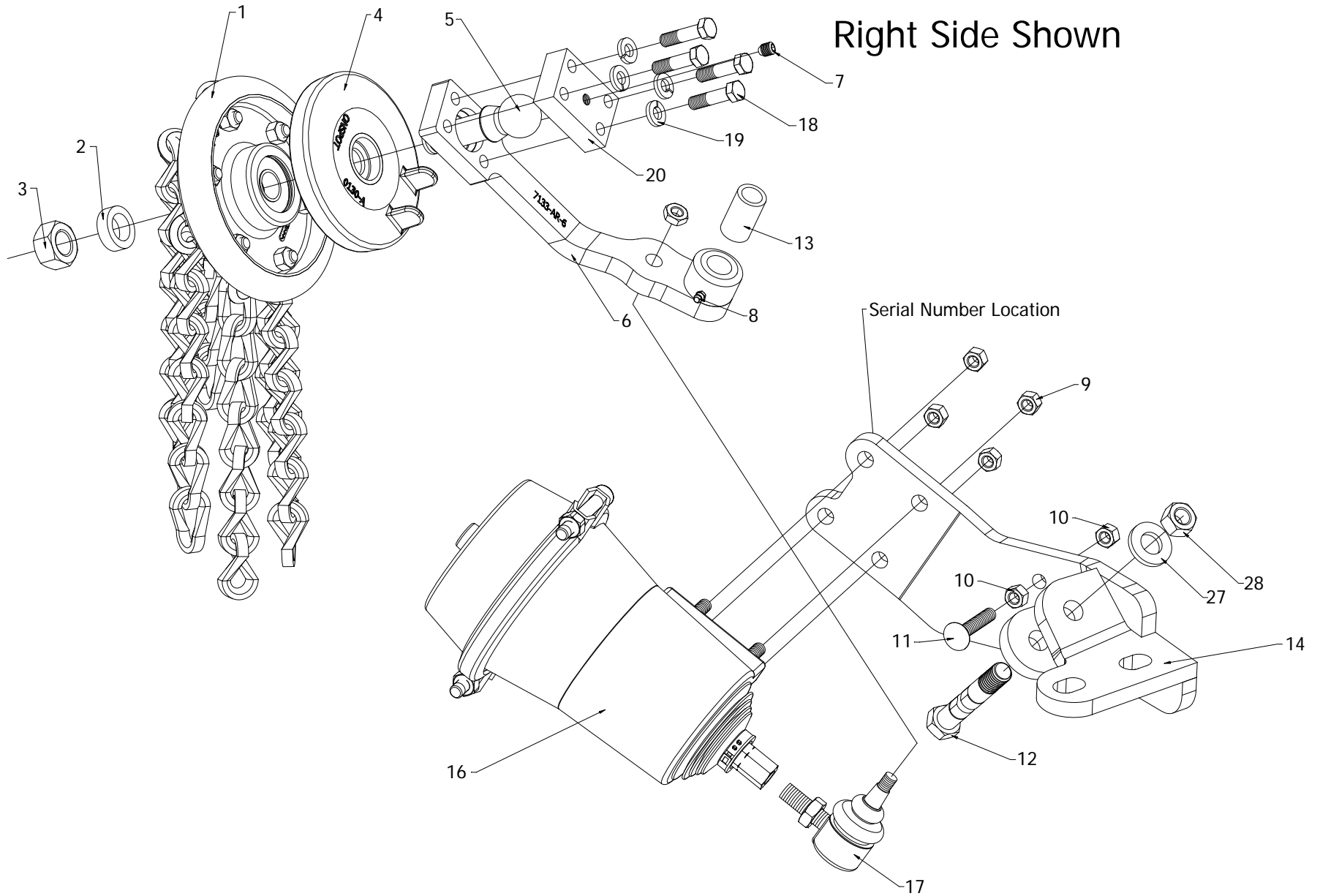
Automatic Tire Chains

Ref. No.	Part Number	Description
1	1392-AR-7	Complete Chainwheel Right Side (See Page 152 for Chainwheel Components)
	1392-AL-7	Complete Chainwheel Left Side
4	0130-A	Chainwheel Helmet
2	0450-A	Chainwheel Spacer
3	5211-A	M20 x 2.5 Chainwheel Bolt Nut
5	5262-A	M20 x 2.5 x 2 3/8" Adjustable Chainwheel Bolt
6	7133-AR-6	Arm for Right Side (Ships with items 5, 7, 8, 13, 18, 19, and 20)
	7133-AL-6	Arm for Left Side (Ships with items 5, 7, 8, 13, 18, 19, and 20)
7	1078-A	3/8-24 x 1/2" Set Screw
8	1026-A	1/4-28 Zirc Fitting
9	41755	M10 x 1.5 Nylock Nut
12	1075-A	5/8-11 Arm Bolt
13	5489-A	Brass Sleeve 5/8" ID x 7/8" OD x 1 1/2" Long
14	7354-AR	Cylinder Bracket Right Side
	7354-AL	Cylinder Bracket Left Side
16	1037-A	Complete Cylinder (See Page 162 for Cylinder Components)
17	1005-A	Angle Joint
18	39056	3/8-16 x 1 1/2" Adjustable Arm Retainer Capscrew
19	39727	3/8" Adjustable Arm Lock Washer
20	7132-B	Retainer for Adjustable Arm Bolt
27	39707-A	5/8" Flat Washer
28	36786-A	5/8-11 Grip Nut
29	213590	5/8-18 x 3 1/2 x 9" Leg Round Top U-Bolt
31	580057	5/8" U-bolt Washer
32	580058	5/8" U-bolt Nut
	M-3504-AR	Complete Right Side Assembly without Chainwheel and Helmet
	M-3504-AL	Complete Left Side Assembly without Chainwheel and Helmet
		Chainwheel Bolt Kit Includes
	5568-A	(1) 5262-A M20 x 2.5 x 2 3/8" Adjustable Chainwheel Bolt
		(1) 0450-A Chainwheel Spacer
		(1) 5211-A M20 x 2.5 Chainwheel Bolt Nut
		Arm Sleeve Kit Includes
	5567-B	(1) 1075-A Arm Bolt 3 1/2" Length
		(1) 5489-A Brass Sleeve 5/8" ID x 7/8" OD x 1 1/2" Long
		(1) 39707-A 5/8" Flat Washer
		(1) 36786-A 5/8-11 Grip Nut

NOTE: Right (Passenger) side and Left (Driver) side part numbers apply for chains mounted forward of axle.

Model M35P2

Right Side Shown





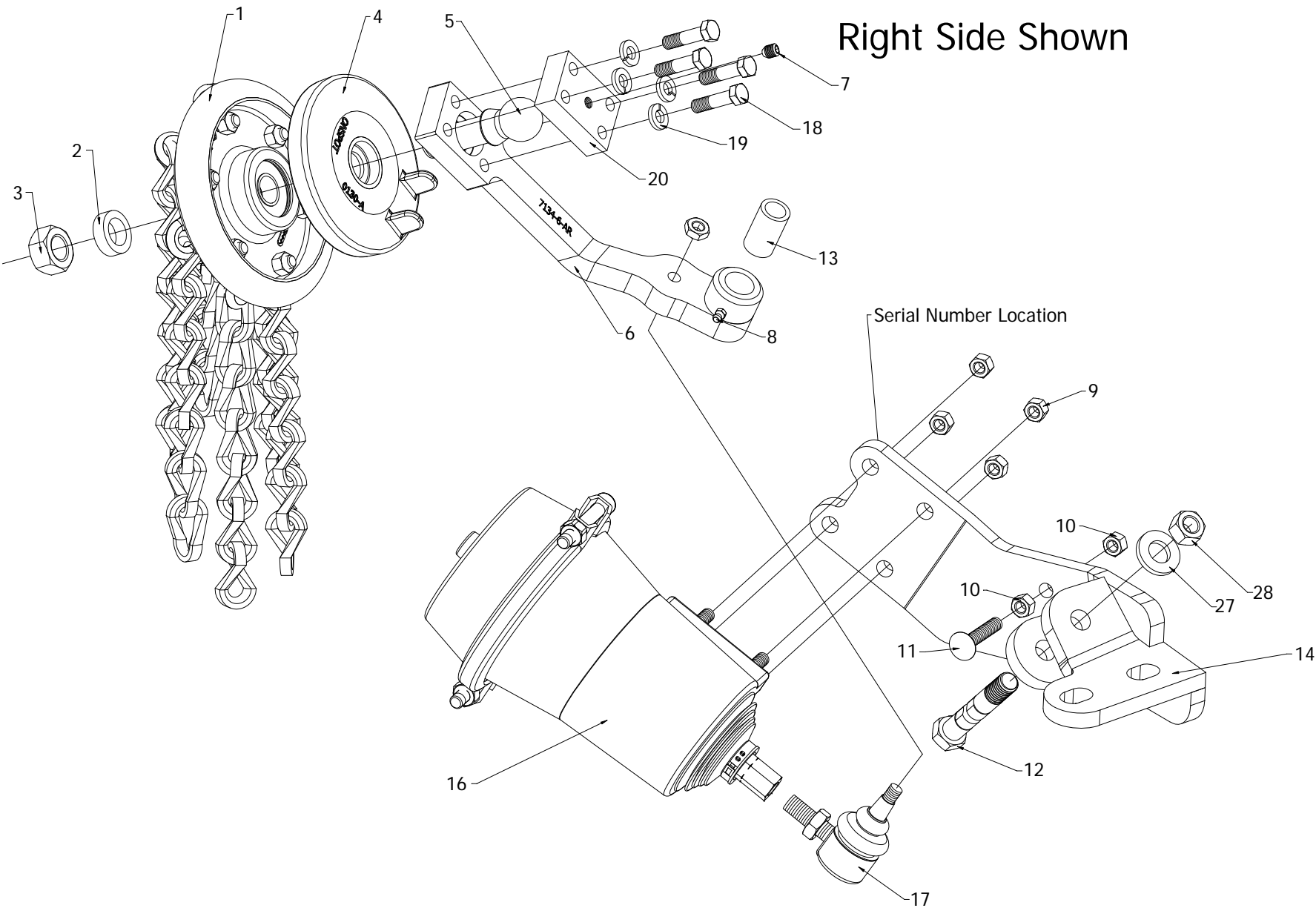
Automatic Tire Chains

Ref. No.	Part Number	Description
1	1392-AR-7	Complete Chainwheel Right Side (See Page 152 for Chainwheel Components)
	1392-AL-7	Complete Chainwheel Left Side
4	0130-A	Chainwheel Helmet
2	0450-A	Chainwheel Spacer
3	5211-A	M20 x 2.5 Chainwheel Bolt Nut
5	5262-A	M20 x 2.5 x 2 3/8" Adjustable Chainwheel Bolt
6	7133-AR-6	Arm for Right Side (Ships with items 5, 7, 8, 13, 18, 19, and 20)
	7133-AL-6	Arm for Left Side (Ships with items 5, 7, 8, 13, 18, 19, and 20)
7	1078-A	3/8-24 x 1/2" Set Screw
8	1026-A	1/4-28 Zirc Fitting
9	41755	M10 x 1.5 Nylock Nut
10	31203	3/8-16 Nut
11	21821	3/8-16 x 2" Carriage Bolt as Stop Bolt
12	1075-A	5/8-11 Arm Bolt
13	5489-A	Brass Sleeve 5/8" ID x 7/8" OD x 1 1/2" Long
14	7355-AR	Cylinder Bracket Right Side
	7355-AL	Cylinder Bracket Left Side
16	1037-A	Complete Cylinder (See Page 162 for Cylinder Components)
17	1005-A	Angle Joint
18	39056	3/8-16 x 1 1/2" Adjustable Arm Retainer Capscrew
19	39727	3/8" Adjustable Arm Lock Washer
20	7132-B	Retainer for Adjustable Arm Bolt
27	39707-A	5/8" Flat Washer
28	36786-A	5/8-11 Grip Nut
	M35P2-AR	Complete Right Side Assembly without Chainwheel and Helmet
	M35P2-AL	Complete Left Side Assembly without Chainwheel and Helmet
		Chainwheel Bolt Kit Includes
	5568-A	(1) 5262-A M20 x 2.5 x 2 3/8" Adjustable Chainwheel Bolt
		(1) 0450-A Chainwheel Spacer
		(1) 5211-A M20 x 2.5 Chainwheel Bolt Nut
		Arm Sleeve Kit Includes
	5567-B	(1) 1075-A Arm Bolt 3 1/2" Length
		(1) 5489-A Brass Sleeve 5/8" ID x 7/8" OD x 1 1/2" Long
		(1) 39707-A 5/8" Flat Washer
		(1) 36786-A 5/8-11 Grip Nut

NOTE: Right (Passenger) side and Left (Driver) side part numbers apply for chains mounted forward of axle.

Model M55P2

Right Side Shown



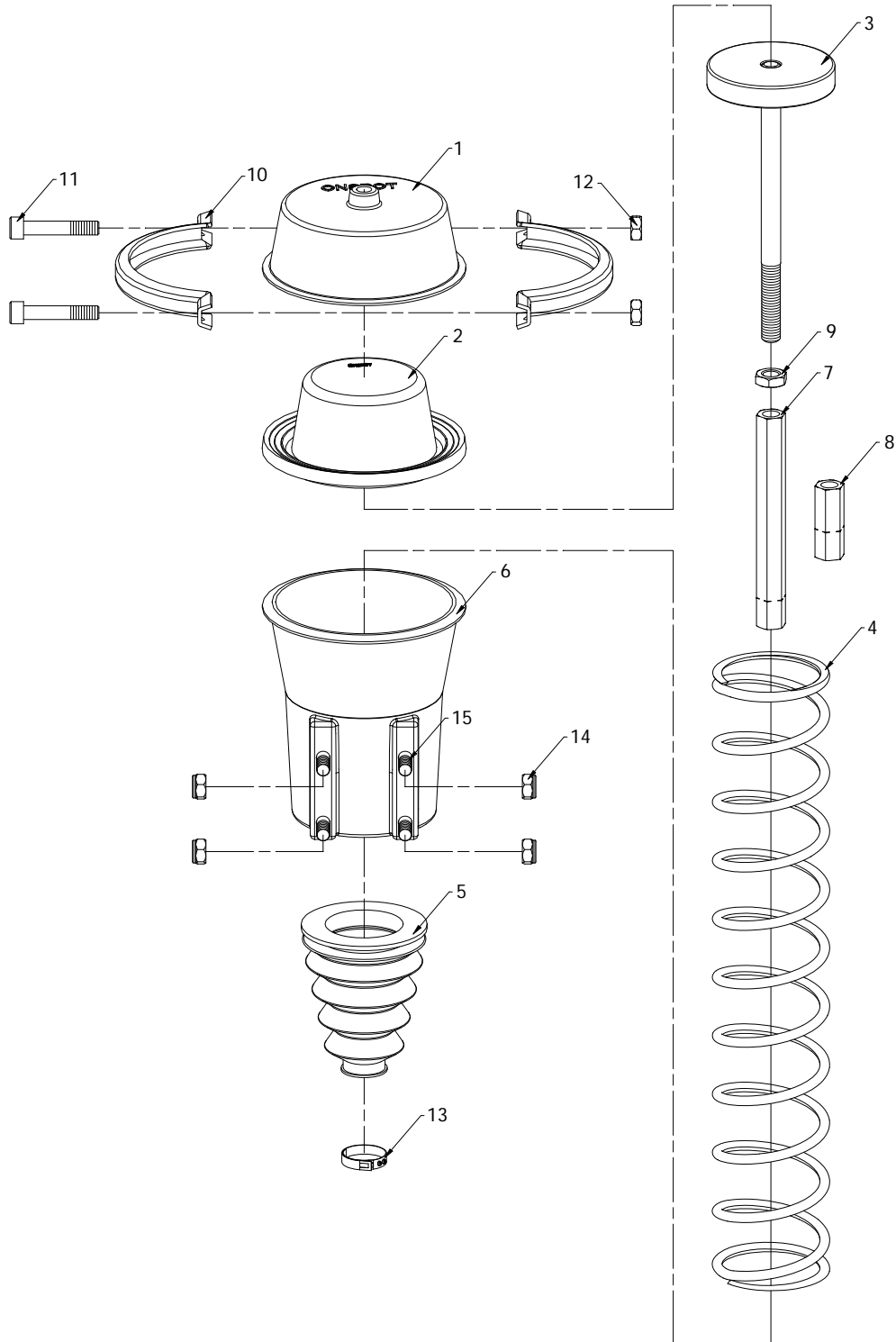


Automatic Tire Chains

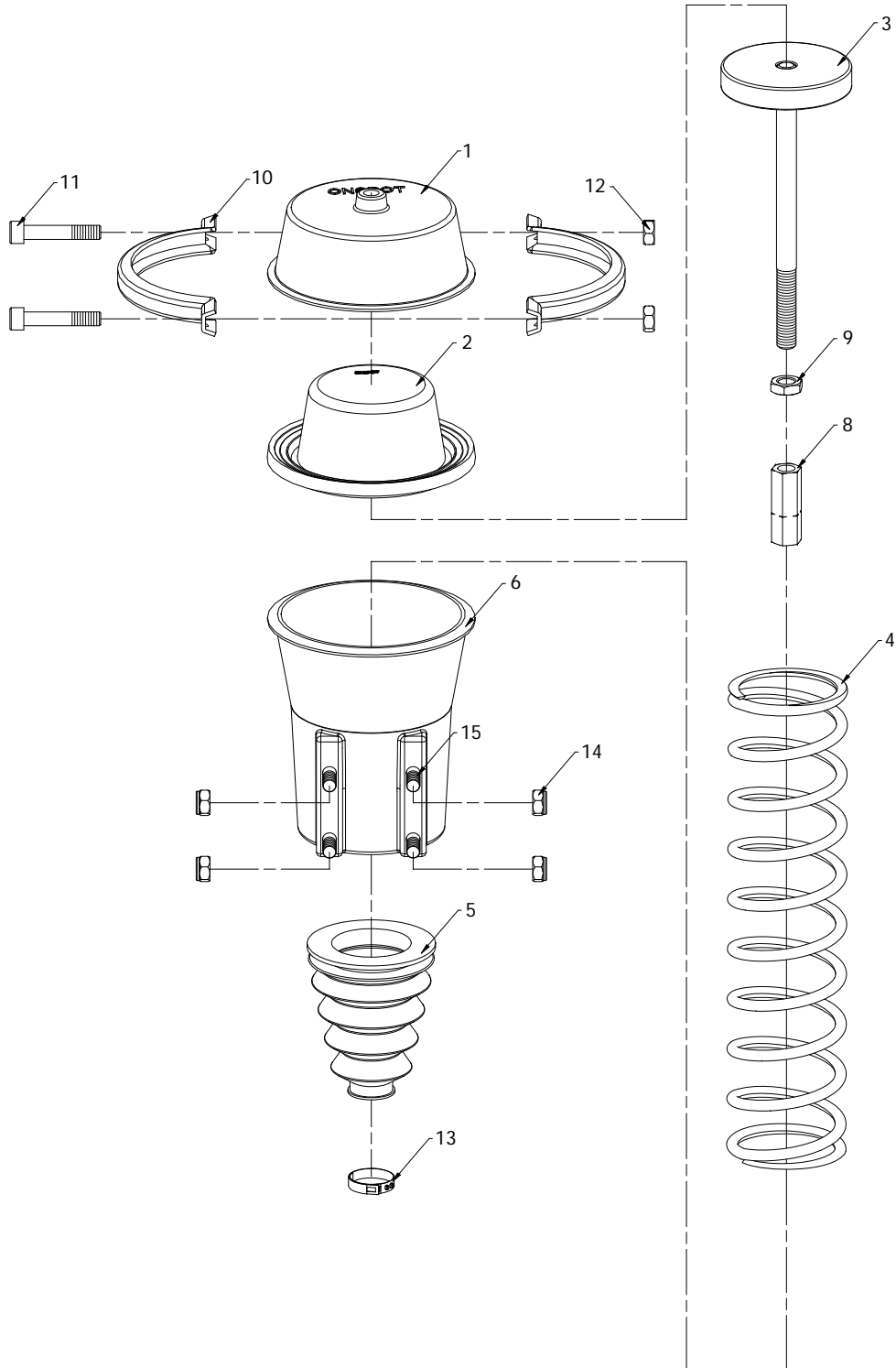
Ref. No.	Part Number	Description
1	1392-AR-7	Complete Chainwheel Right Side (See Page 152 for Chainwheel Components)
	1392-AL-7	Complete Chainwheel Left Side
4	0130-A	Chainwheel Helmet
2	0450-A	Chainwheel Spacer
3	5211-A	M20 x 2.5 Chainwheel Bolt Nut
5	5262-A	M20 x 2.5 x 2 3/8" Adjustable Chainwheel Bolt
6	7134-AR-6	Arm for Right Side (Ships with items 5, 7, 8, 13, 18, 19, and 20)
	7134-AL-6	Arm for Left Side (Ships with items 5, 7, 8, 13, 18, 19, and 20)
7	1078-A	3/8-24 x 1/2" Set Screw
8	1026-A	1/4-28 Zinc Fitting
9	41755	M10 x 1.5 Nylock Nut
10	31203	3/8-16 Nut
11	21821	3/8-16 x 2" Carriage Bolt as Stop Bolt
12	1075-A	5/8-11 Arm Bolt
13	5489-A	Brass Sleeve 5/8" ID x 7/8" OD x 1 1/2" Long
14	7355-AR	Cylinder Bracket Right Side
	7355-AL	Cylinder Bracket Left Side
16	1037-A	Complete Cylinder (See Page 162 for Cylinder Components)
17	1005-A	Angle Joint
18	39056	3/8-16 x 1 1/2" Adjustable Arm Retainer Capscrew
19	39727	3/8" Adjustable Arm Lock Washer
20	7132-B	Retainer for Adjustable Arm Bolt
27	39707-A	5/8" Flat Washer
28	36786-A	5/8-11 Grip Nut
	M55P2-AR	Complete Right Side Assembly without Chainwheel and Helmet
	M55P2-AL	Complete Left Side Assembly without Chainwheel and Helmet
		Chainwheel Bolt Kit Includes
	5568-A	(1) 5262-A M20 x 2.5 x 2 3/8" Adjustable Chainwheel Bolt
		(1) 0450-A Chainwheel Spacer
		(1) 5211-A M20 x 2.5 Chainwheel Bolt Nut
		Arm Sleeve Kit Includes
	5567-B	(1) 1075-A Arm Bolt 3 1/2" Length
		(1) 5489-A Brass Sleeve 5/8" ID x 7/8" OD x 1 1/2" Long
		(1) 39707-A 5/8" Flat Washer
		(1) 36786-A 5/8-11 Grip Nut

NOTE: Right (Passenger) side and Left (Driver) side part numbers apply for chains mounted forward of axle.

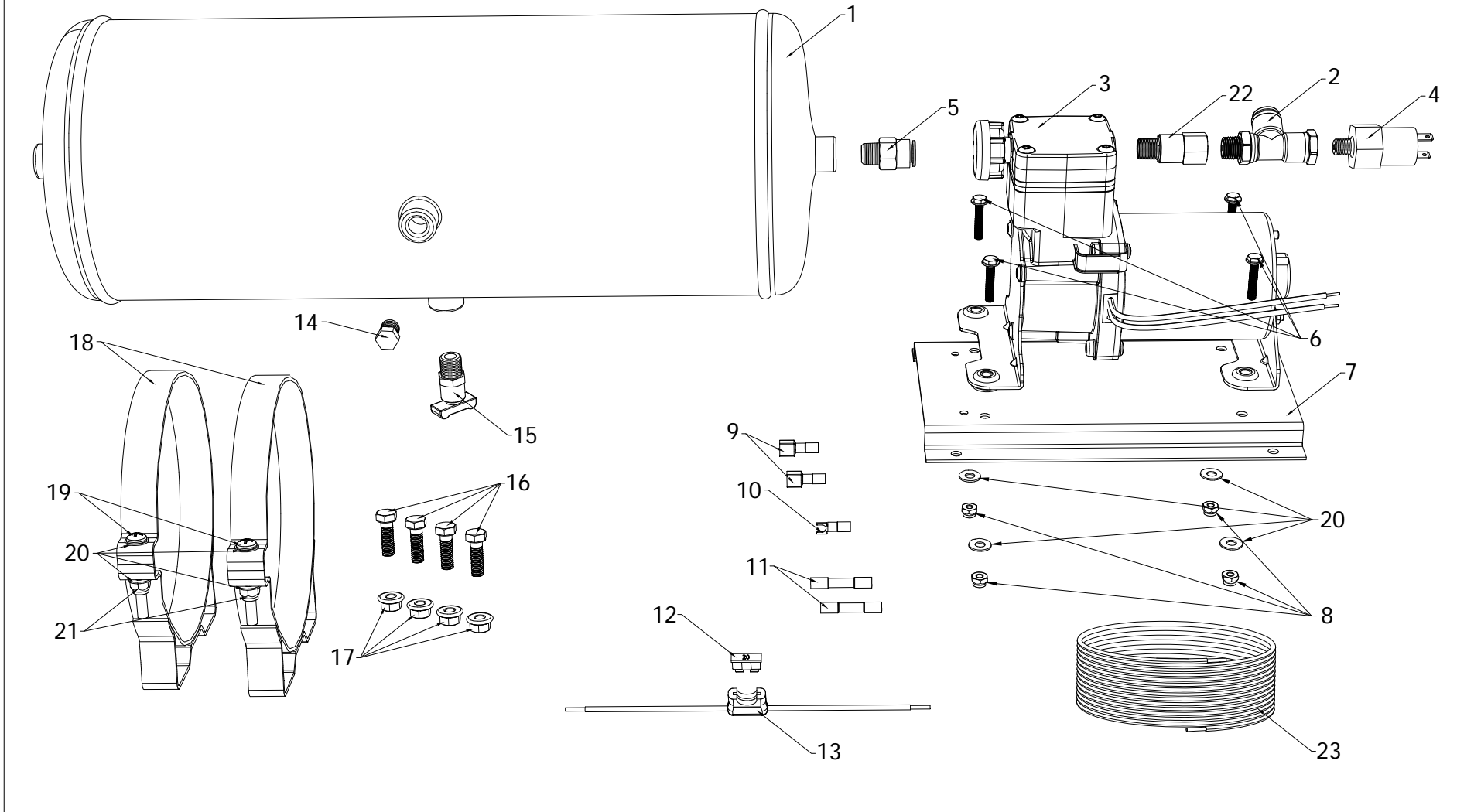
1037-5#B Cylinder



1037-C Cylinder

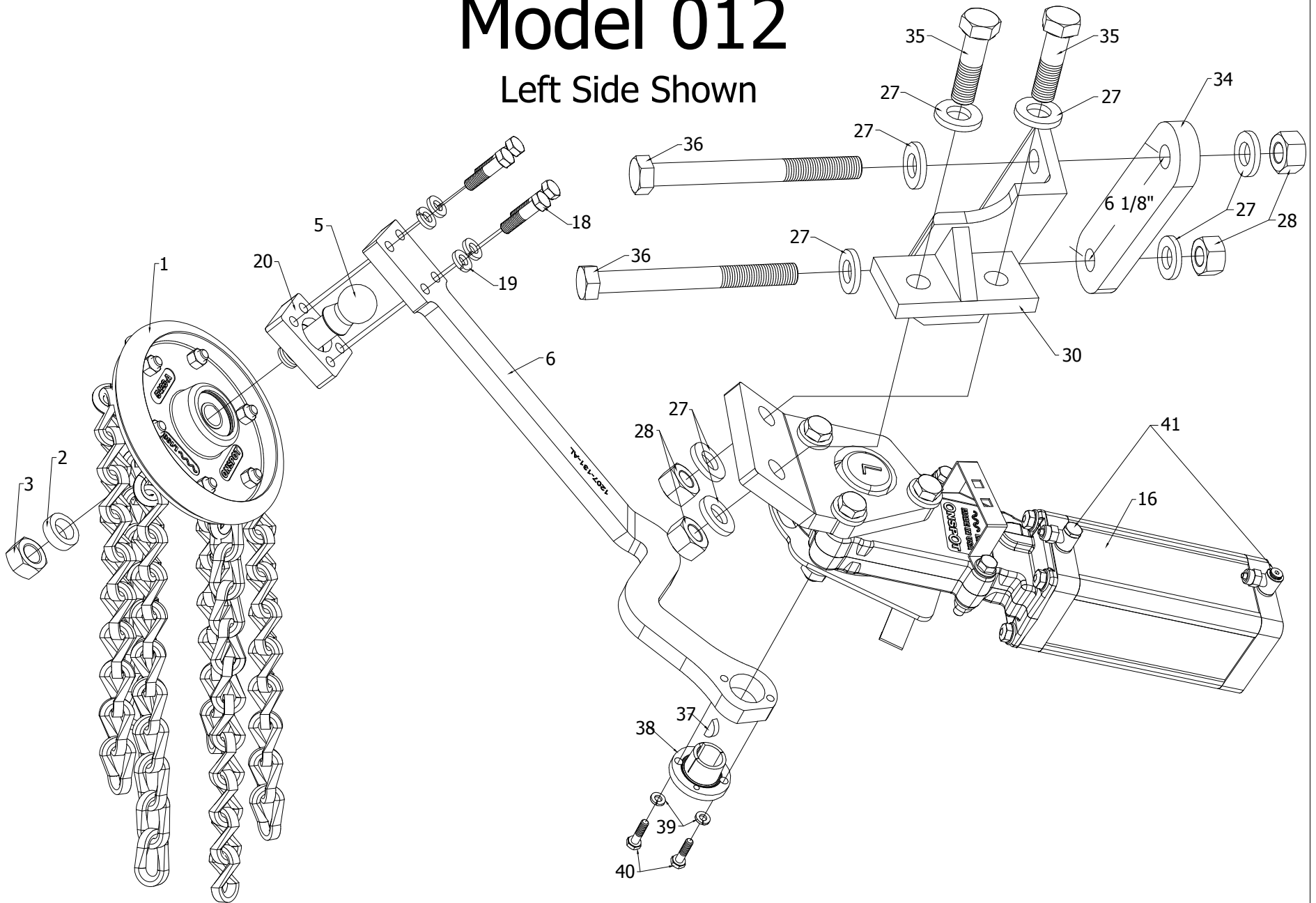


9803 Air Compressor Kit



Model 012

Left Side Shown





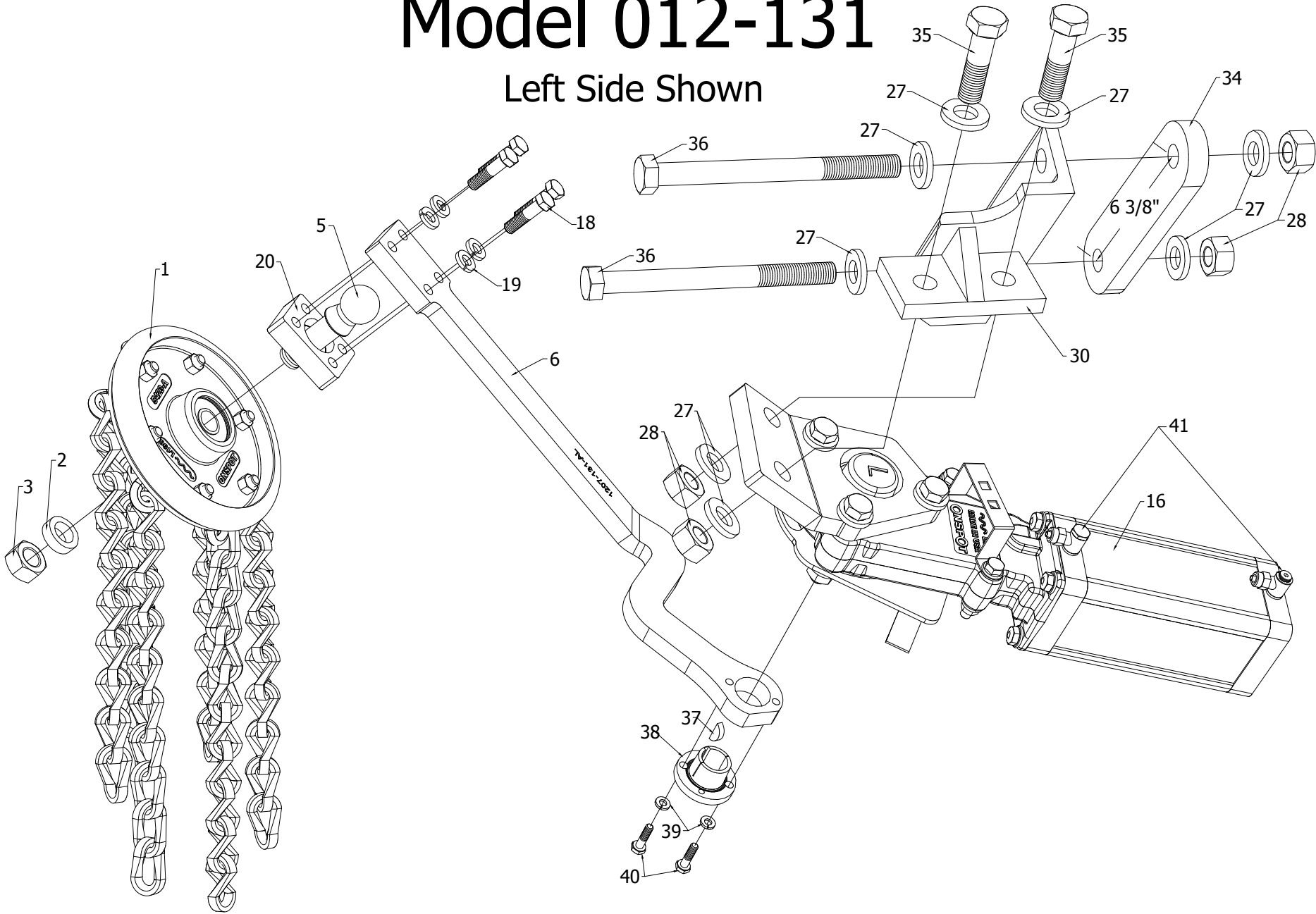
Automatic Tire Chains

Ref. No.	Part Number	Description
1	0925-AR	Complete Chainwheel Right Side (See Page 12: for Chainwheel Components)
	0925-AL	Complete Chainwheel Left Side
2	0450-A	Chainwheel Spacer
3	5211-A	M20 x 2.5 Chainwheel Bolt Nut
5	5262-A	M20 x 2.5 x 2 3/8" Adjustable Chainwheel Bolt
6	1207-131-AR	Arm for Right Side (Ships with items 5, 18, 19, 20, 37, 38, 39, and 40)
	1207-131-AL	Arm for Left Side (Ships with items 5, 18, 19, 20, 37, 38, 39, and 40)
16	1201-AL	Model 012 Chain Assembly for Left Side without Arm and Chainwheel
	1201-AR	Model 012 Chain Assembly for Right Side without Arm and Chainwheel
18	39056	3/8-16 x 1 1/2" Adjustable Arm Retainer Capscrew
19	39727	3/8" Adjustable Arm Lock Washer
20	7131-A	Receiver for Adjustable Arm Bolt
27	39707-A	5/8" Flat Washer
28	36786-A	5/8-11 Grip Nut
30	1202-AL	Mounting Bracket (Left Front, Includes Hardware)
	1202-AR	Mounting Bracket (Right Front, Includes Hardware)
34	1203-A	Mounting Bar
35	39150	5/8-11 x 2 1/4" Capscrew
36	39163	5/8-11 x 7" Capscrew
37	69317	Woodruff Key
38	G-7/8	Split Taper Bushing
39	33891	1/4" Lock Washer
40	15005	1/4-20 x 1 Capscrew
41	9395	Hose Connector Set
		Chainwheel Bolt Kit Includes
	5568-A	(1) 5262-A M20 x 2.5 x 2 3/8" Adjustable Chainwheel Bolt
		(1) 0450-A Chainwheel Spacer
		(1) 5211-A M20 x 2.5 Chainwheel Bolt Nut
		Taper Bushing Kit
	1270	(1) 69317 Woodruff Key
		(1) G-7/8 Split Taper Bushing
		(2) 33891 1/4" Lock Washer
		(2) 15005 1/4-20 x 1" Capscrew

NOTE: Right (Passenger) side and Left (Driver) side part numbers apply for chains mounted forward of axle.

Model 012-131

Left Side Shown





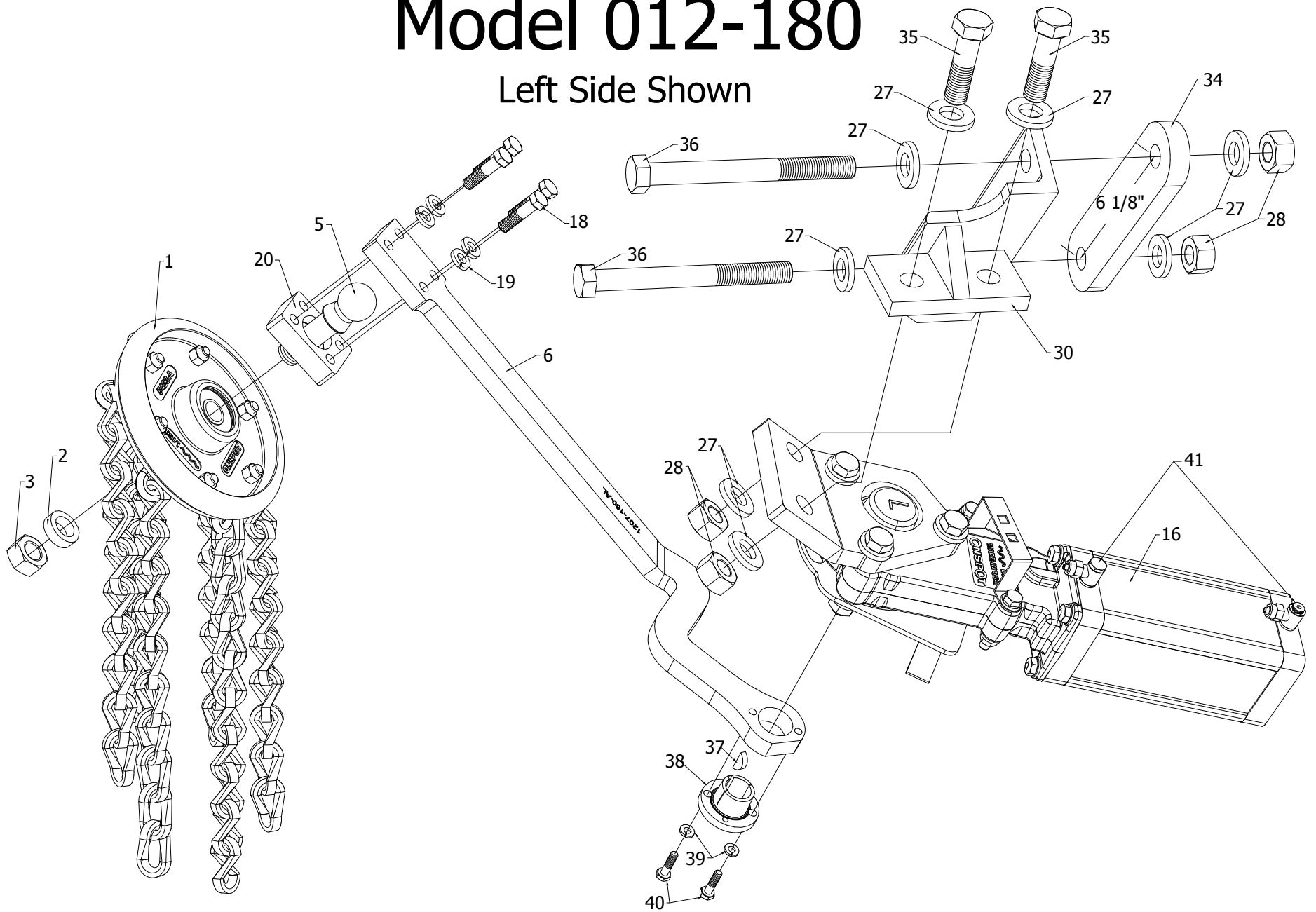
Automatic Tire Chains

Ref. No.	Part Number	Description
1	0925-AR	Complete Chainwheel Right Side (See Page 12: for Chainwheel Components)
	0925-AL	Complete Chainwheel Left Side
2	0450-A	Chainwheel Spacer
3	5211-A	M20 x 2.5 Chainwheel Bolt Nut
5	5262-A	M20 x 2.5 x 2 3/8" Adjustable Chainwheel Bolt
6	1207-131-AR	Arm for Right Side (Ships with items 5, 18, 19, 20, 37, 38, 39, and 40)
	1207-131-AL	Arm for Left Side (Ships with items 5, 18, 19, 20, 37, 38, 39, and 40)
16	1201-AL	Model 012 Chain Assembly for Left Side without Arm and Chainwheel
	1201-AR	Model 012 Chain Assembly for Right Side without Arm and Chainwheel
18	39056	3/8-16 x 1 1/2" Adjustable Arm Retainer Capscrew
19	39727	3/8" Adjustable Arm Lock Washer
20	7131-A	Receiver for Adjustable Arm Bolt
27	39707-A	5/8" Flat Washer
28	36786-A	5/8-11 Grip Nut
30	1202-131-AL	Mounting Bracket (Left Front, Neway Suspension 131 Only, Includes Hardware)
	1202-131-AR	Mounting Bracket (Right Front, Neway Suspension 131 Only, Includes Hardware)
34	1203-131-A	Mounting Bar
35	39150	5/8-11 x 2 1/4" Capscrew
36	39163	5/8-11 x 7" Capscrew
37	69317	Woodruff Key
38	G-7/8	Split Taper Bushing
39	33891	1/4" Lock Washer
40	15005	1/4-20 x 1 Capscrew
41	9395	Hose Connector Set
		Chainwheel Bolt Kit Includes
	5568-A	(1) 5262-A M20 x 2.5 x 2 3/8" Adjustable Chainwheel Bolt
		(1) 0450-A Chainwheel Spacer
		(1) 5211-A M20 x 2.5 Chainwheel Bolt Nut
		Taper Bushing Kit
	1270	(1) 69317 Woodruff Key
		(1) G-7/8 Split Taper Bushing
		(2) 33891 1/4" Lock Washer
		(2) 15005 1/4-20 x 1" Capscrew

NOTE: Right (Passenger) side and Left (Driver) side part numbers apply for chains mounted forward of axle.

Model 012-180

Left Side Shown



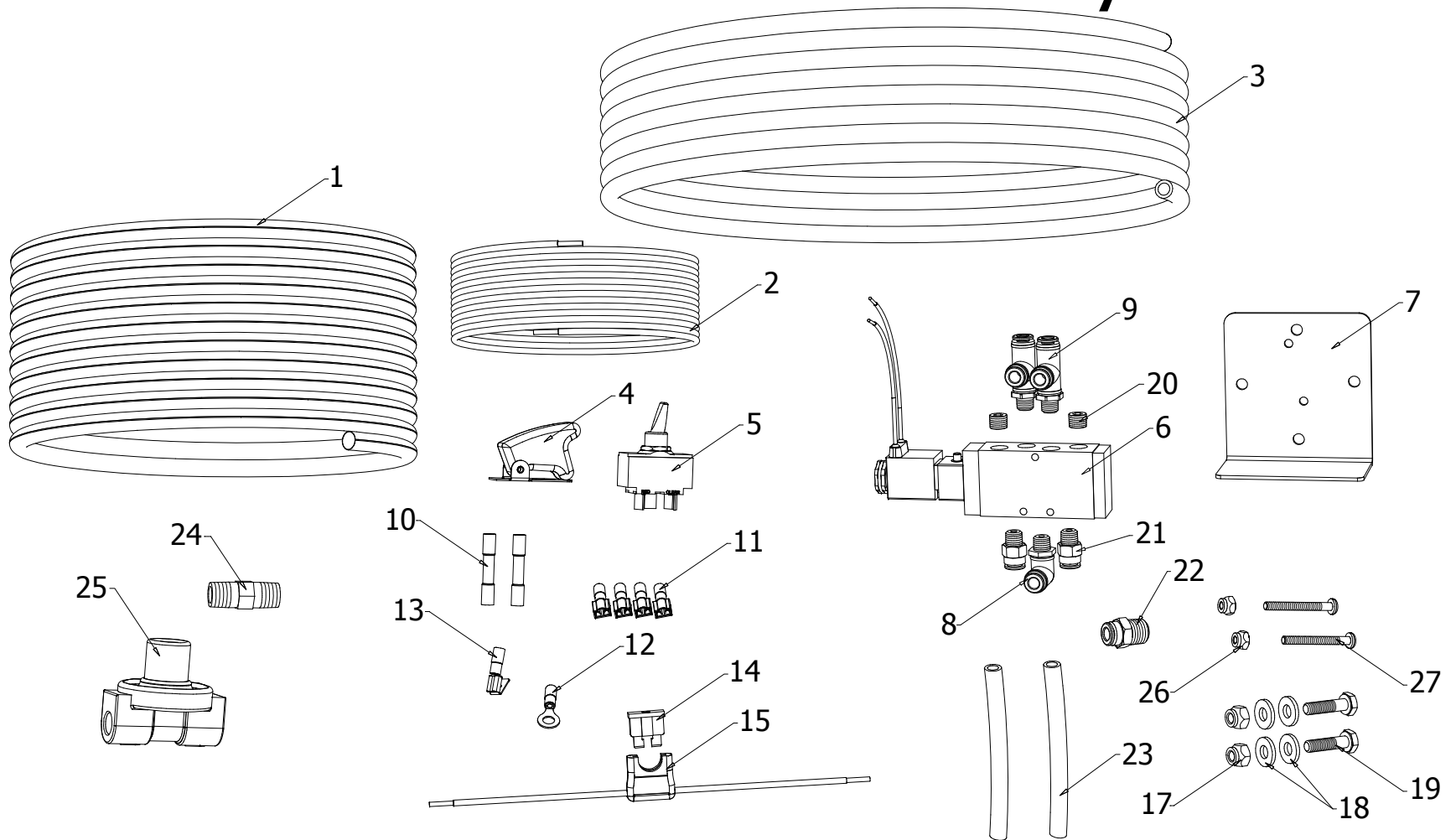


Automatic Tire Chains

Ref. No.	Part Number	Description
1	0925-AR	Complete Chainwheel Right Side (See Page 12: for Chainwheel Components)
	0925-AL	Complete Chainwheel Left Side
2	0450-A	Chainwheel Spacer
3	5211-A	M20 x 2.5 Chainwheel Bolt Nut
5	5262-A	M20 x 2.5 x 2 3/8" Adjustable Chainwheel Bolt
6	1207-180-AR	Arm for Right Side (Ships with items 5, 18, 19, 20, 37, 38, 39, and 40)
	1207-180-AL	Arm for Left Side (Ships with items 5, 18, 19, 20, 37, 38, 39, and 40)
16	1201-AL	Model 012 Chain Assembly for Left Side without Arm and Chainwheel
	1201-AR	Model 012 Chain Assembly for Right Side without Arm and Chainwheel
18	39056	3/8-16 x 1 1/2" Adjustable Arm Retainer Capscrew
19	39727	3/8" Adjustable Arm Lock Washer
20	7131-A	Receiver for Adjustable Arm Bolt
27	39707-A	5/8" Flat Washer
28	36786-A	5/8-11 Grip Nut
30	1202-AL	Mounting Bracket (Left Front, RT52185, Includes Hardware)
	1202-AR	Mounting Bracket (Right Front, RT52185, Includes Hardware)
34	1203-A	Mounting Bar
35	39150	5/8-11 x 2 1/4" Capscrew
36	39161	5/8-11 x 6" Capscrew
37	69317	Woodruff Key
38	G-7/8	Split Taper Bushing
39	33891	1/4" Lock Washer
40	15005	1/4-20 x 1 Capscrew
41	9395	Hose Connector Set
		Chainwheel Bolt Kit Includes
	5568-A	(1) 5262-A M20 x 2.5 x 2 3/8" Adjustable Chainwheel Bolt
		(1) 0450-A Chainwheel Spacer
		(1) 5211-A M20 x 2.5 Chainwheel Bolt Nut
		Taper Bushing Kit
	1270	(1) 69317 Woodruff Key
		(1) G-7/8 Split Taper Bushing
		(2) 33891 1/4" Lock Washer
		(2) 15005 1/4-20 x 1" Capscrew

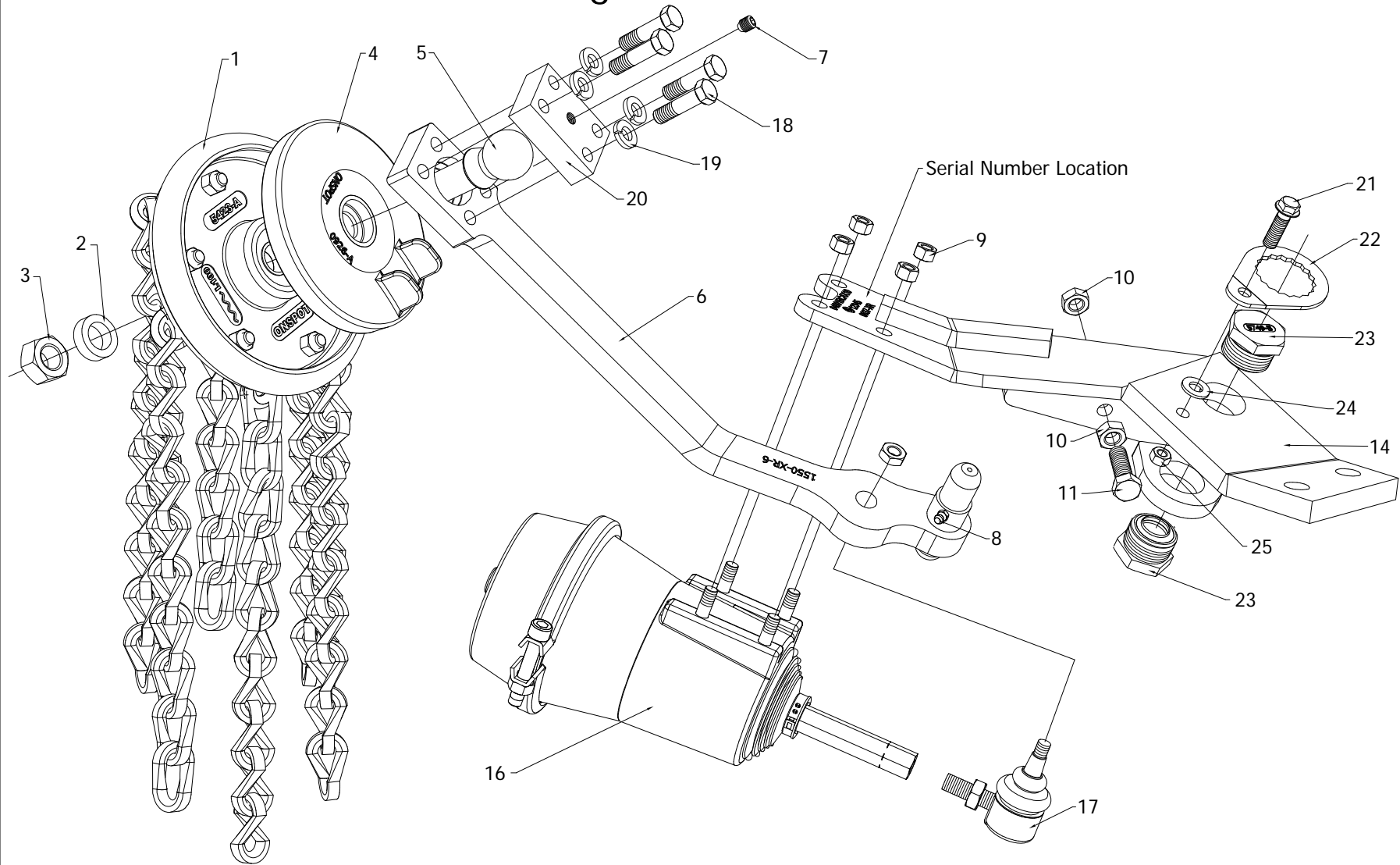
NOTE: Right (Passenger) side and Left (Driver) side part numbers apply for chains mounted forward of axle.

0586-12 Model 12 Factory Air Kit



Model 04001BCAX10

Right Side Shown





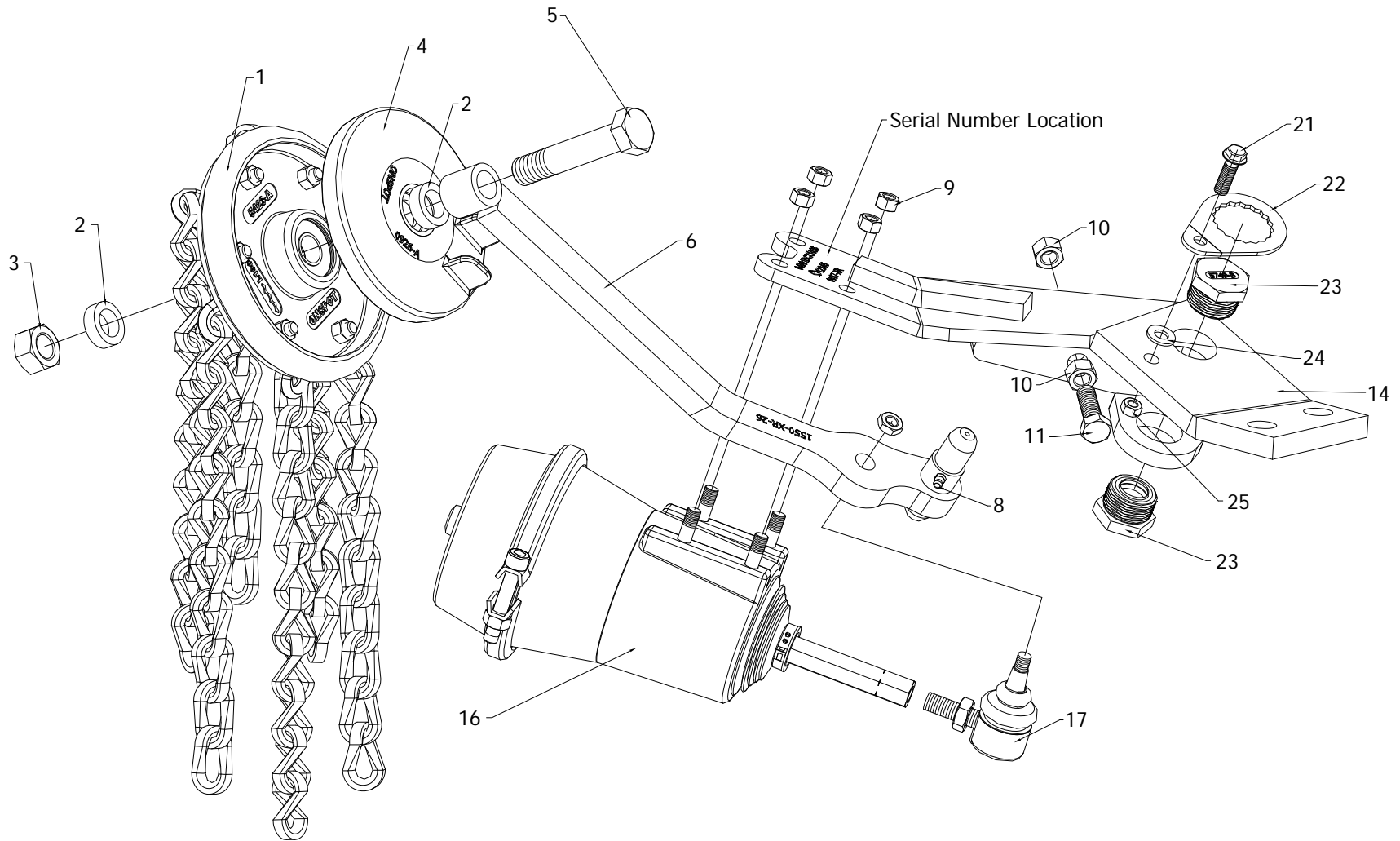
Automatic Tire Chains

Ref. No.	Part Number	Description
1	0925-AR	Complete Chainwheel Right Side (See Page 12: for Chainwheel Components)
	0925-AL	Complete Chainwheel Left Side
4	0926-A	Chainwheel Helmet
2	0450-A	Chainwheel Spacer
3	5211-A	M20 x 2.5 Chainwheel Bolt Nut
5	5262-A	M20 x 2.5 x 2 3/8" Adjustable Chainwheel Bolt
6	1550-XR-6	Arm for Right Side (Ships with Items 2, 3, 5, 7, 8, 18, 19, and 20)
	1550-XL-6	Arm for Left Side (Ships with Items 2, 3, 5, 7, 8, 18, 19, and 20)
7	1078-A	3/8-24 x 1/2" Set Screw
8	1026-A	1/4-28 Zinc Fitting
9	41755	M10 x 1.5 Nylock Nut
10	36210	1/2-13 Jam Nut
11	13209	1/2-13 x 1 1/2" Bolt as Stop Bolt
14	0637-XR	Cylinder Bracket Right Side (Ships without Brass Caps)
	0637-XL	Cylinder Bracket Left Side
16	1037-B	Complete Cylinder (See Page 162 for Cylinder Components)
17	1005-A	Angle Joint
18	39056	3/8-16 x 1 1/2" Adjustable Arm Retainer Capscrew
19	39727	3/8" Adjustable Arm Lock Washer
20	7132-B	Retainer for Adjustable Arm Bolt
21	19657	5/16-18 x 1 1/4" Serrated Flange Head Bolt
22	5750-A	Brass Cap Holder
23	5749-B	Arm Pivot Brass Cap
24	33815	3/8" Flat Washer
25	37262	5/16-18 Top Lock Nut
	04001BCAX-AR	Complete Right Side Assembly without Chainwheel and Helmet
	04001BCAX-AL	Complete Left Side Assembly without Chainwheel and Helmet
		Chainwheel Bolt Kit Includes
	5568-A	(1) 5262-A M20 x 2.5 x 2 3/8" Adjustable Chainwheel Bolt
		(1) 0450-A Chainwheel Spacer
		(1) 5211-A M20 x 2.5 Chainwheel Bolt Nut
		Hex Brass Cap Holder Kit Includes
	5570-A	(1) 5750-A Brass Cap Holder
		(1) 19657 5/16-18 x 1 1/4" Serrated Flange Head Bolt
		(1) 33815 3/8" Flat Washer
		(1) 37262 5/16-18 Top Lock Nut

NOTE: Right (Passenger) side and Left (Driver) side part numbers apply for chains mounted forward of axle.

Model 04001BCX1026

Right Side Shown





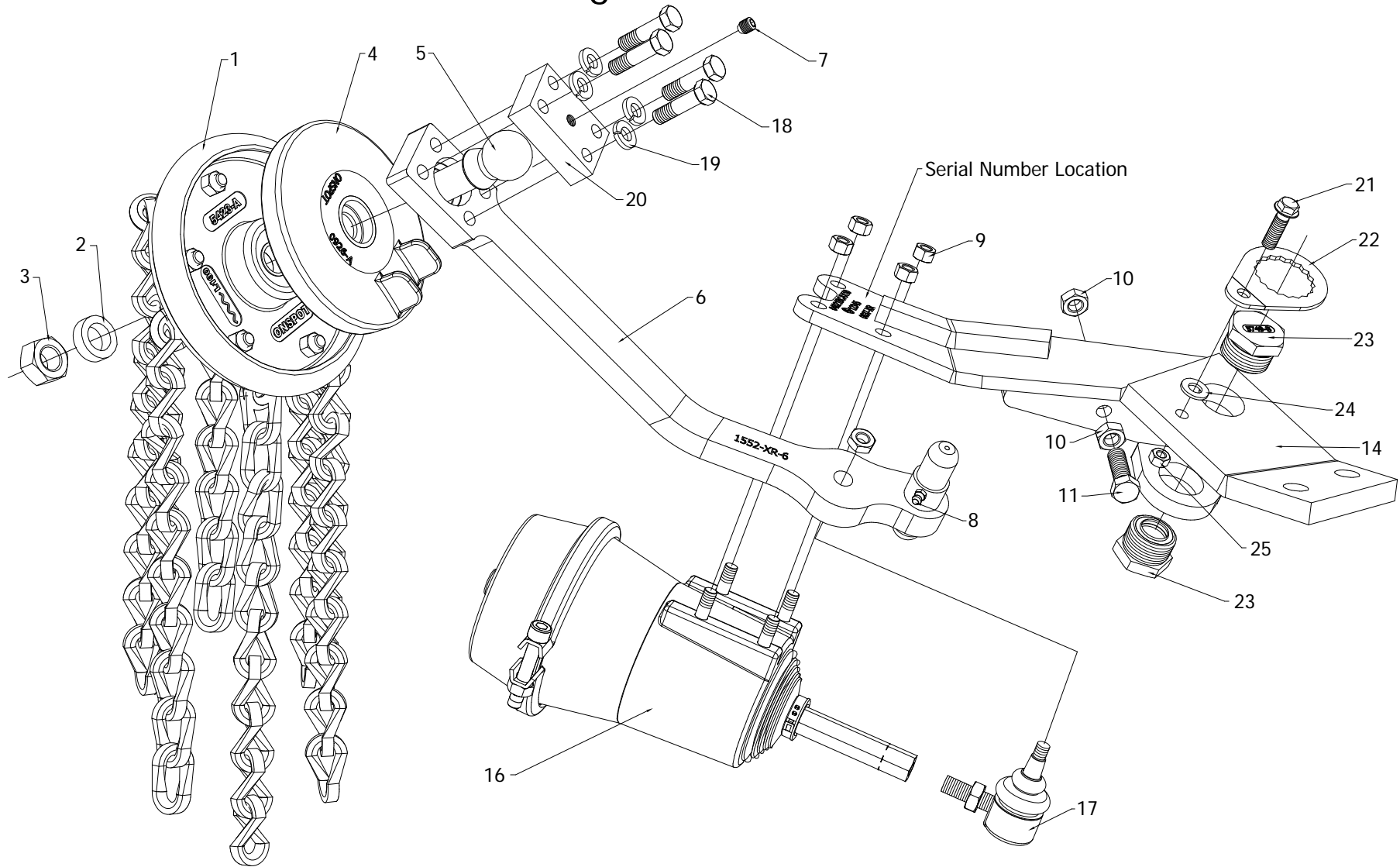
Automatic Tire Chains

Ref. No.	Part Number	Description
1	0925-AR	Complete Chainwheel Right Side (See Page 12: for Chainwheel Components)
	0925-AL	Complete Chainwheel Left Side
4	0926-A	Chainwheel Helmet
2	0450-A	Chainwheel Spacer
3	5211-A	M20 x 2.5 Chainwheel Bolt Nut
5	5222-A	M20 x 2.5 x 100mm Chainwheel Bolt
6	1550-XR-26	Arm for Right Side
	1550-XL-26	Arm for Left Side
8	1026-A	1/4-28 Zirc Fitting
9	41755	M10 x 1.5 Nylock Nut
10	36210	1/2-13 Jam Nut
11	13209	1/2-13 x 1 1/2" Bolt as Stop Bolt
14	0637-XR	Cylinder Bracket Right Side (Ships without Brass Caps)
	0637-XL	Cylinder Bracket Left Side
16	1037-B	Complete Cylinder (See Page 162 for Cylinder Components)
17	1005-A	Angle Joint
21	19657	5/16-18 x 1 1/4" Serrated Flange Head Bolt
22	5750-A	Brass Cap Holder
23	5749-B	Arm Pivot Brass Cap
24	33815	3/8" Flat Washer
25	37262	5/16-18 Top Lock Nut
	04000BCX26-AR	Complete Right Side Assembly without Chainwheel and Helmet
	04000BCX26-AL	Complete Left Side Assembly without Chainwheel and Helmet
		Chainwheel Bolt Kit Includes
	5564-A	(1) 5222-A M20 x 2.5 x 100mm Chainwheel Bolt
		(2) 0450-A Chainwheel Spacer
		(1) 5211-A M20 x 2.5 Chainwheel Bolt Nut
		Hex Brass Cap Holder Kit Includes
	5570-A	(1) 5750-A Brass Cap Holder
		(1) 19657 5/16-18 x 1 1/4" Serrated Flange Head Bolt
		(1) 33815 3/8" Flat Washer
		(1) 37262 5/16-18 Top Lock Nut

NOTE: Right (Passenger) side and Left (Driver) side part numbers apply for chains mounted forward of axle.

Model 04021BCAX10

Right Side Shown





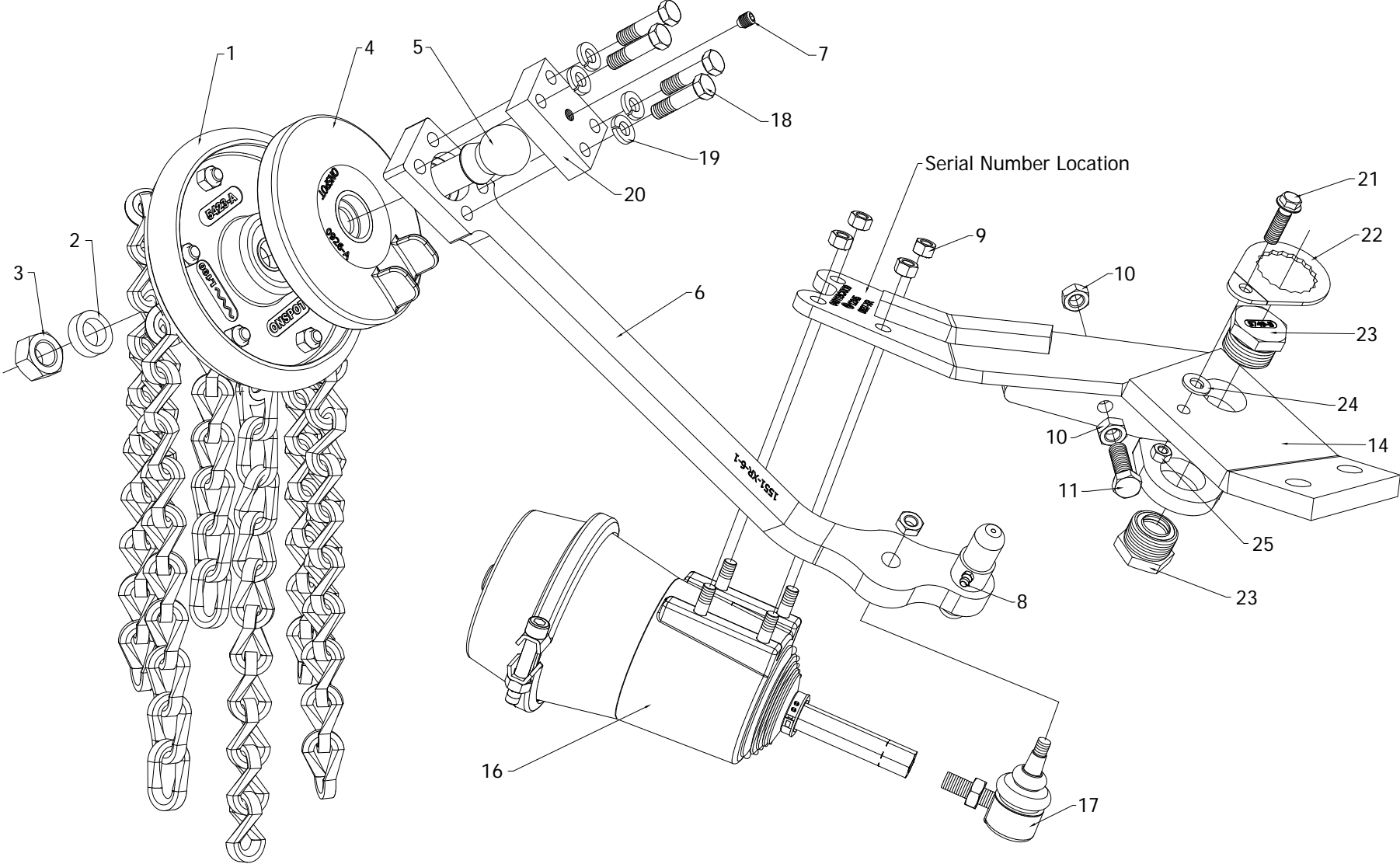
Automatic Tire Chains

Ref. No.	Part Number	Description
1	0925-AR	Complete Chainwheel Right Side (See Page 12: for Chainwheel Components)
	0925-AL	Complete Chainwheel Left Side
4	0926-A	Chainwheel Helmet
2	0450-A	Chainwheel Spacer
3	5211-A	M20 x 2.5 Chainwheel Bolt Nut
5	5262-A	M20 x 2.5 x 2 3/8" Adjustable Chainwheel Bolt
6	1552-XR-6	Arm for Right Side (Ships with Items 2, 3, 5, 7, 8, 18, 19, and 20)
	1552-XL-6	Arm for Left Side (Ships with Items 2, 3, 5, 7, 8, 18, 19, and 20)
7	1078-A	3/8-46 x 1/2" Set Screw
8	1026-A	1/4-28 Zinc Fitting
9	41755	M10 x 1.5 Nylock Nut
10	36210	1/2-13 Jam Nut
11	13209	1/2-13 x 1 1/2" Bolt as Stop Bolt
14	0637-XR	Cylinder Bracket Right Side (Ships without Brass Caps)
	0637-XL	Cylinder Bracket Left Side
16	1037-B	Complete Cylinder (See Page 162 for Cylinder Components)
17	1005-A	Angle Joint
18	39056	3/8-16 x 1 1/2" Adjustable Arm Retainer Capscrew
19	39727	3/8" Adjustable Arm Lock Washer
20	7132-B	Retainer for Adjustable Arm Bolt
21	19657	5/16-18 x 1 1/4" Serrated Flange Head Bolt
22	5750-A	Brass Cap Holder
23	5749-B	Arm Pivot Brass Cap
24	33815	3/8" Flat Washer
25	37262	5/16-18 Top Lock Nut
	04020BCAX-AR	Complete Right Side Assembly without Chainwheel and Helmet
	04020BCAX-AL	Complete Left Side Assembly without Chainwheel and Helmet
		Chainwheel Bolt Kit Includes
	5568-A	(1) 5262-A M20 x 2.5 x 2 3/8" Adjustable Chainwheel Bolt
		(1) 0450-A Chainwheel Spacer
		(1) 5211-A M20 x 2.5 Chainwheel Bolt Nut
		Hex Brass Cap Holder Kit Includes
	5570-A	(1) 5750-A Brass Cap Holder
		(1) 19657 5/16-18 x 1 1/4" Serrated Flange Head Bolt
		(1) 33815 3/8" Flat Washer
		(1) 37262 5/16-18 Top Lock Nut

NOTE: Right (Passenger) side and Left (Driver) side part numbers apply for chains mounted forward of axle.

Model 04011HCBCAX10

Right Side Shown





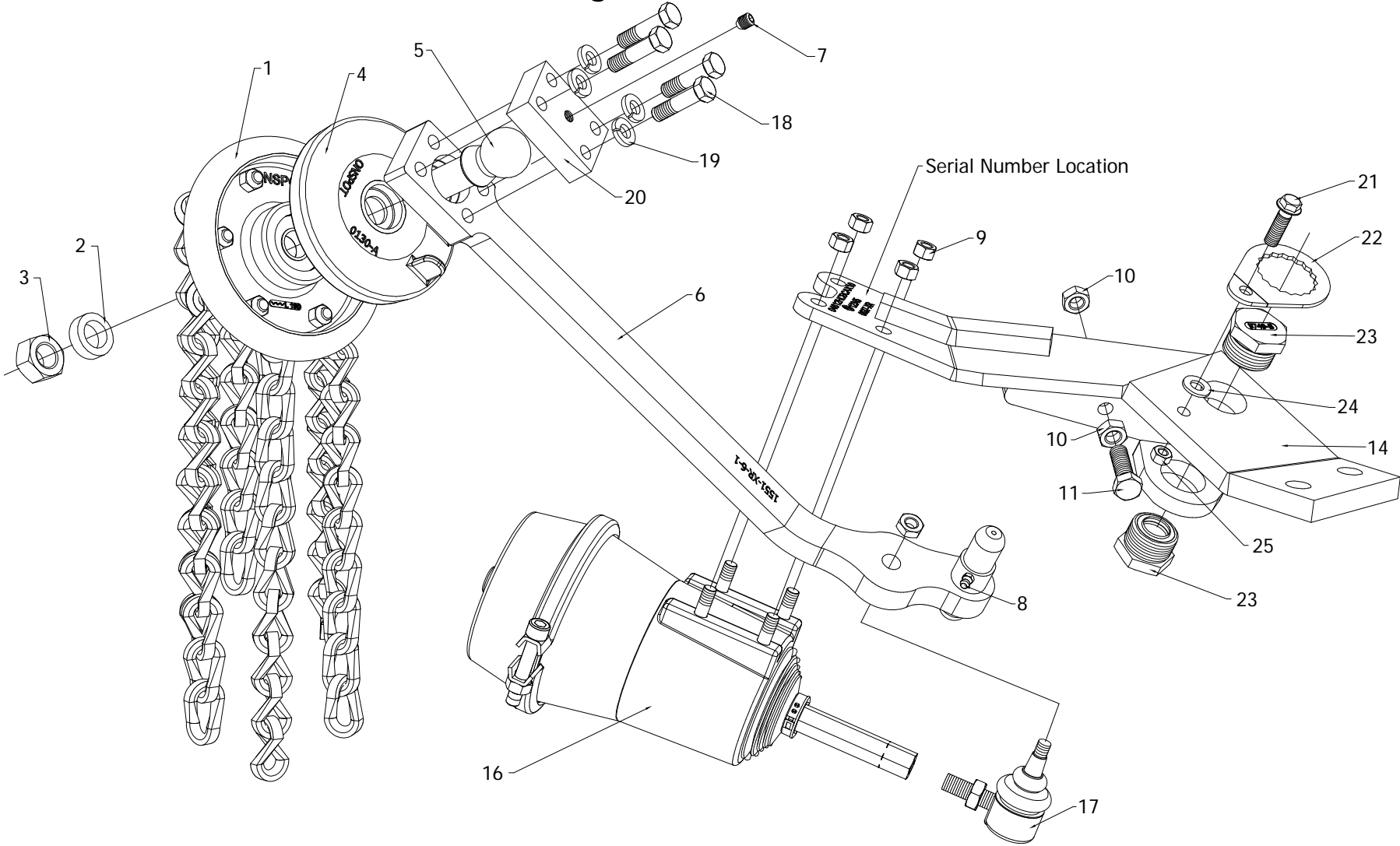
Automatic Tire Chains

Ref. No.	Part Number	Description
1	0925-AR	Complete Chainwheel Right Side (See Page 12: for Chainwheel Components)
	0925-AL	Complete Chainwheel Left Side
4	0926-A	Chainwheel Helmet
2	0450-A	Chainwheel Spacer
3	5211-A	M20 x 2.5 Chainwheel Bolt Nut
5	5262-A	M20 x 2.5 x 2 3/8" Adjustable Chainwheel Bolt
6	1551-XR-6	Arm for Right Side (Ships with Items 2, 3, 5, 7, 8, 18, 19, and 20)
	1551-XL-6	Arm for Left Side (Ships with Items 2, 3, 5, 7, 8, 18, 19, and 20)
7	1078-A	3/8-46 x 1/2" Set Screw
8	1026-A	1/4-28 Zinc Fitting
9	41755	M10 x 1.5 Nylock Nut
10	36210	1/2-13 Jam Nut
11	13209	1/2-13 x 1 1/2" Bolt as Stop Bolt
14	0637-XR	Cylinder Bracket Right Side (Ships without Brass Caps)
	0637-XL	Cylinder Bracket Left Side
16	1037-B	Complete Cylinder (See Page 162 for Cylinder Components)
17	1005-A	Angle Joint
18	39056	3/8-16 x 1 1/2" Adjustable Arm Retainer Capscrew
19	39727	3/8" Adjustable Arm Lock Washer
20	7132-B	Retainer for Adjustable Arm Bolt
21	19657	5/16-18 x 1 1/4" Serrated Flange Head Bolt
22	5750-A	Brass Cap Holder
23	5749-B	Arm Pivot Brass Cap
24	33815	3/8" Flat Washer
25	37262	5/16-18 Top Lock Nut
	04010HCBCAX-AR	Complete Right Side Assembly without Chainwheel and Helmet
	04010HCBCAX-AL	Complete Left Side Assembly without Chainwheel and Helmet
		Chainwheel Bolt Kit Includes
	5568-A	(1) 5262-A M20 x 2.5 x 2 3/8" Adjustable Chainwheel Bolt
		(1) 0450-A Chainwheel Spacer
		(1) 5211-A M20 x 2.5 Chainwheel Bolt Nut
		Hex Brass Cap Holder Kit Includes
	5570-A	(1) 5750-A Brass Cap Holder
		(1) 19657 5/16-18 x 1 1/4" Serrated Flange Head Bolt
		(1) 33815 3/8" Flat Washer
		(1) 37262 5/16-18 Top Lock Nut

NOTE: Right (Passenger) side and Left (Driver) side part numbers apply for chains mounted forward of axle.

Model 04012HCBCAX10

Right Side Shown





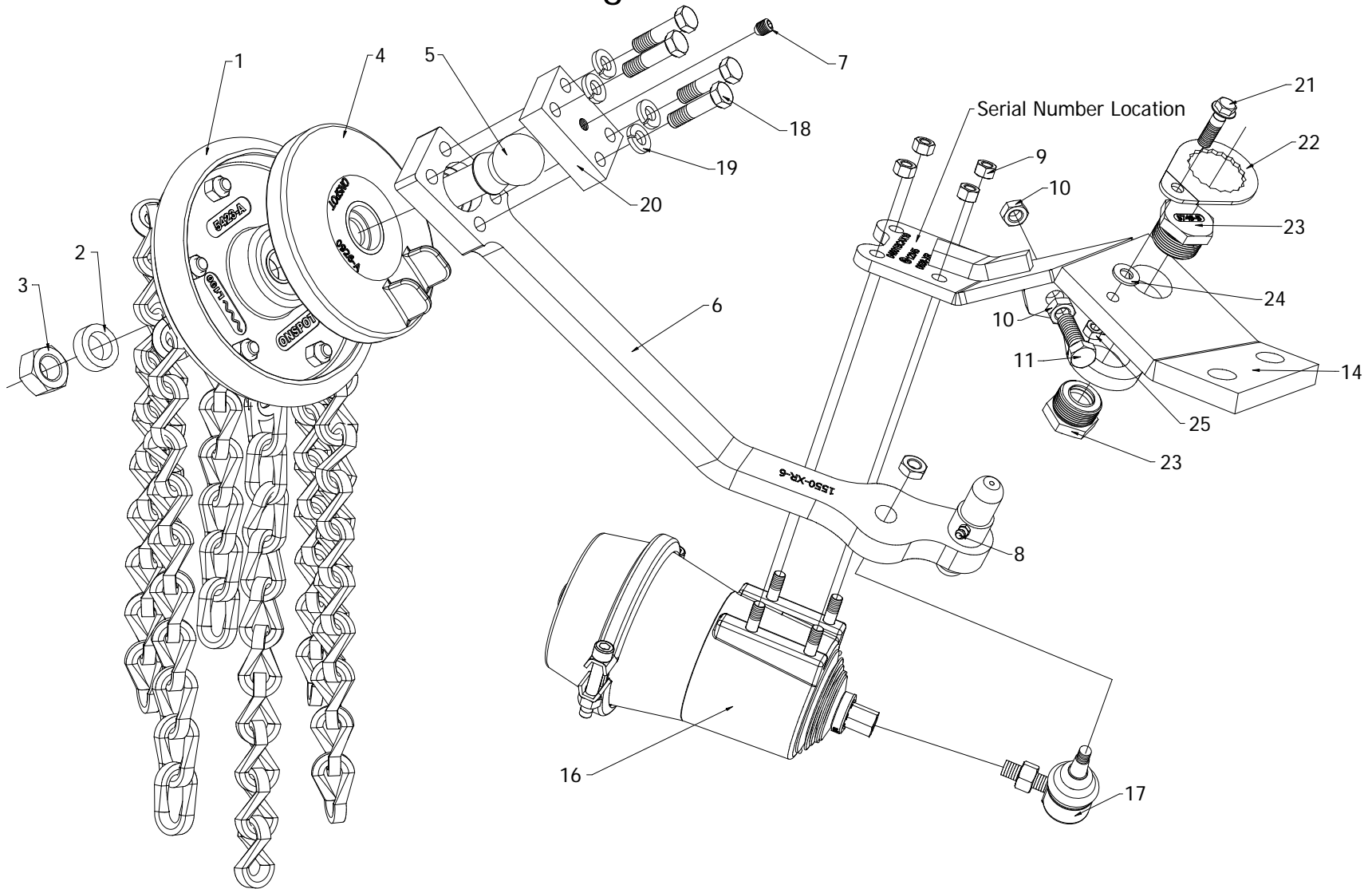
Automatic Tire Chains

Ref. No.	Part Number	Description
1	1392-AR-10	Complete Chainwheel Right Side (See Page 152 for Chainwheel Components)
	1392-AL-10	Complete Chainwheel Left Side
4	0130-A	Chainwheel Helmet
2	0450-A	Chainwheel Spacer
3	5211-A	M20 x 2.5 Chainwheel Bolt Nut
5	5262-A	M20 x 2.5 x 2 3/8" Adjustable Chainwheel Bolt
6	1551-XR-6	Arm for Right Side (Ships with Items 2, 3, 5, 7, 8, 18, 19, and 20)
	1551-XL-6	Arm for Left Side (Ships with Items 2, 3, 5, 7, 8, 18, 19, and 20)
7	1078-A	3/8-46 x 1/2" Set Screw
8	1026-A	1/4-28 Zinc Fitting
9	41755	M10 x 1.5 Nylock Nut
10	36210	1/2-13 Jam Nut
11	13209	1/2-13 x 1 1/2" Bolt as Stop Bolt
14	0637-XR	Cylinder Bracket Right Side (Ships without Brass Caps)
	0637-XL	Cylinder Bracket Left Side
16	1037-B	Complete Cylinder (See Page 162 for Cylinder Components)
17	1005-A	Angle Joint
18	39056	3/8-16 x 1 1/2" Adjustable Arm Retainer Capscrew
19	39727	3/8" Adjustable Arm Lock Washer
20	7132-B	Retainer for Adjustable Arm Bolt
21	19657	5/16-18 x 1 1/4" Serrated Flange Head Bolt
22	5750-A	Brass Cap Holder
23	5749-B	Arm Pivot Brass Cap
24	33815	3/8" Flat Washer
25	37262	5/16-18 Top Lock Nut
	04010HCBCAX-AR	Complete Right Side Assembly without Chainwheel and Helmet
	04010HCBCAX-AL	Complete Left Side Assembly without Chainwheel and Helmet
		Chainwheel Bolt Kit Includes
	5568-A	(1) 5262-A M20 x 2.5 x 2 3/8" Adjustable Chainwheel Bolt
		(1) 0450-A Chainwheel Spacer
		(1) 5211-A M20 x 2.5 Chainwheel Bolt Nut
		Hex Brass Cap Holder Kit Includes
	5570-A	(1) 5750-A Brass Cap Holder
		(1) 19657 5/16-18 x 1 1/4" Serrated Flange Head Bolt
		(1) 33815 3/8" Flat Washer
		(1) 37262 5/16-18 Top Lock Nut

NOTE: Right (Passenger) side and Left (Driver) side part numbers apply for chains mounted forward of axle.

Model 04601BCAX10

Right Side Shown





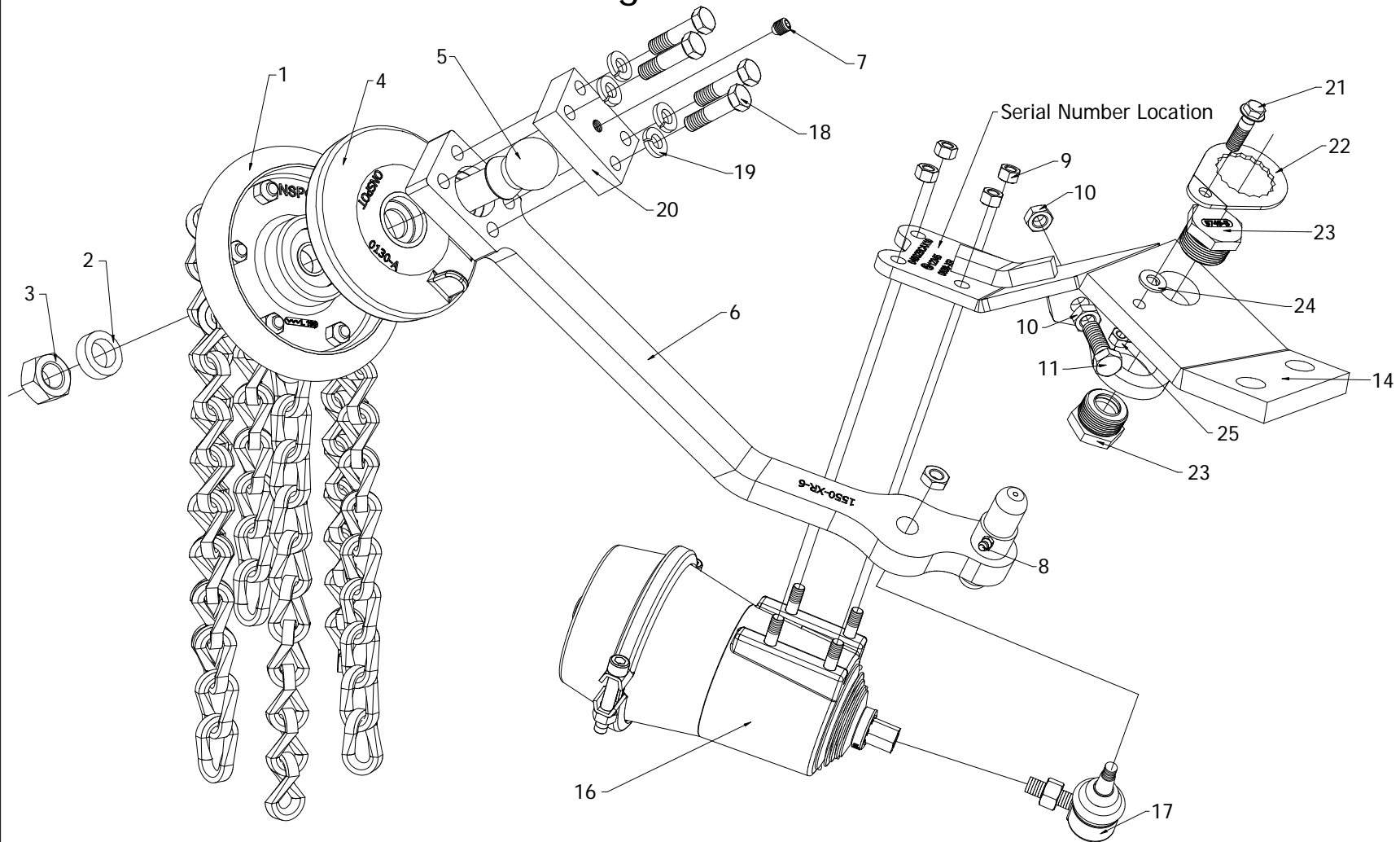
Automatic Tire Chains

Ref. No.	Part Number	Description
1	0925-AR	Complete Chainwheel Right Side (See Page 12: for Chainwheel Components)
	0925-AL	Complete Chainwheel Left Side
4	0926-A	Chainwheel Helmet
2	0450-A	Chainwheel Spacer
3	5211-A	M20 x 2.5 Chainwheel Bolt Nut
5	5262-A	M20 x 2.5 x 2 3/8" Adjustable Chainwheel Bolt
6	1550-XR-6	Arm for Right Side (Ships with Items 2, 3, 5, 7, 8, 18, 19, and 20)
	1550-XL-6	Arm for Left Side (Ships with Items 2, 3, 5, 7, 8, 18, 19, and 20)
7	1078-A	3/8-24 x 1/2" Set Screw
8	1026-A	1/4-28 Zinc Fitting
9	41755	M10 x 1.5 Nylock Nut
10	36210	1/2-13 Jam Nut
11	13209	1/2-13 x 1 1/2" Bolt as Stop Bolt
14	0638-XR	Cylinder Bracket Right Side (Ships without Brass Caps)
	0638-XL	Cylinder Bracket Left Side
16	1037-A	Complete Cylinder (See Page 162 for Cylinder Components)
17	1005-A	Angle Joint
18	39056	3/8-16 x 1 1/2" Adjustable Arm Retainer Capscrew
19	39727	3/8" Adjustable Arm Lock Washer
20	7132-B	Retainer for Adjustable Arm Bolt
21	19657	5/16-18 x 1 1/4" Serrated Flange Head Bolt
22	5750-A	Brass Cap Holder
23	5749-B	Arm Pivot Brass Cap
24	33815	3/8" Flat Washer
25	37262	5/16-18 Top Lock Nut
	04600BCAX-AR	Complete Right Side Assembly without Chainwheel and Helmet
	04600BCAX-AL	Complete Left Side Assembly without Chainwheel and Helmet
		Chainwheel Bolt Kit Includes
	5568-A	(1) 5262-A M20 x 2.5 x 2 3/8" Adjustable Chainwheel Bolt
		(1) 0450-A Chainwheel Spacer
		(1) 5211-A M20 x 2.5 Chainwheel Bolt Nut
		Hex Brass Cap Holder Kit Includes
	5570-A	(1) 5750-A Brass Cap Holder
		(1) 19657 5/16-18 x 1 1/4" Serrated Flange Head Bolt
		(1) 33815 3/8" Flat Washer
		(1) 37262 5/16-18 Top Lock Nut

NOTE: Right (Passenger) side and Left (Driver) side part numbers apply for chains mounted forward of axle.

Model 04602BCAX10

Right Side Shown





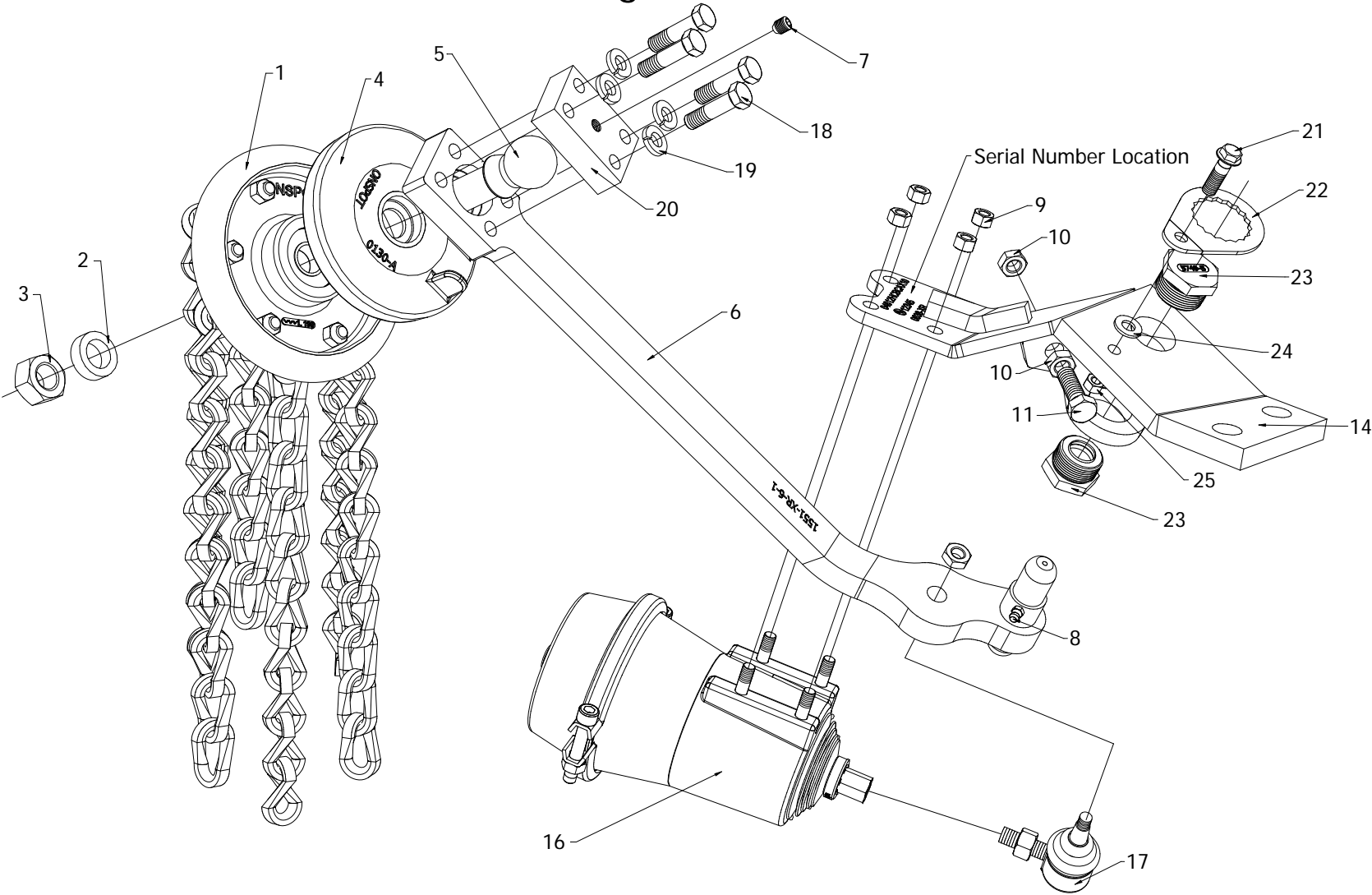
Automatic Tire Chains

Ref. No.	Part Number	Description
1	1392-AR-10	Complete Chainwheel Right Side (See Page 152 for Chainwheel Components)
	1392-AL-10	Complete Chainwheel Left Side
4	0130-A	Chainwheel Helmet
2	0450-A	Chainwheel Spacer
3	5211-A	M20 x 2.5 Chainwheel Bolt Nut
5	5262-A	M20 x 2.5 x 2 3/8" Adjustable Chainwheel Bolt
6	1550-XR-6	Arm for Right Side (Ships with Items 2, 3, 5, 7, 8, 18, 19, and 20)
	1550-XL-6	Arm for Left Side (Ships with Items 2, 3, 5, 7, 8, 18, 19, and 20)
7	1078-A	3/8-24 x 1/2" Set Screw
8	1026-A	1/4-28 Zinc Fitting
9	41755	M10 x 1.5 Nylock Nut
10	36210	1/2-13 Jam Nut
11	13209	1/2-13 x 1 1/2" Bolt as Stop Bolt
14	0638-XR	Cylinder Bracket Right Side (Ships without Brass Caps)
	0638-XL	Cylinder Bracket Left Side
16	1037-A	Complete Cylinder (See Page 162 for Cylinder Components)
17	1005-A	Angle Joint
18	39056	3/8-16 x 1 1/2" Adjustable Arm Retainer Capscrew
19	39727	3/8" Adjustable Arm Lock Washer
20	7132-B	Retainer for Adjustable Arm Bolt
21	19657	5/16-18 x 1 1/4" Serrated Flange Head Bolt
22	5750-A	Brass Cap Holder
23	5749-B	Arm Pivot Brass Cap
24	33815	3/8" Flat Washer
25	37262	5/16-18 Top Lock Nut
	04600BCAX-AR	Complete Right Side Assembly without Chainwheel and Helmet
	04600BCAX-AL	Complete Left Side Assembly without Chainwheel and Helmet
		Chainwheel Bolt Kit Includes
	5568-A	(1) 5262-A M20 x 2.5 x 2 3/8" Adjustable Chainwheel Bolt
		(1) 0450-A Chainwheel Spacer
		(1) 5211-A M20 x 2.5 Chainwheel Bolt Nut
		Hex Brass Cap Holder Kit Includes
	5570-A	(1) 5750-A Brass Cap Holder
		(1) 19657 5/16-18 x 1 1/4" Serrated Flange Head Bolt
		(1) 33815 3/8" Flat Washer
		(1) 37262 5/16-18 Top Lock Nut

NOTE: Right (Passenger) side and Left (Driver) side part numbers apply for chains mounted forward of axle.

Model 04612HCBCAX10

Right Side Shown





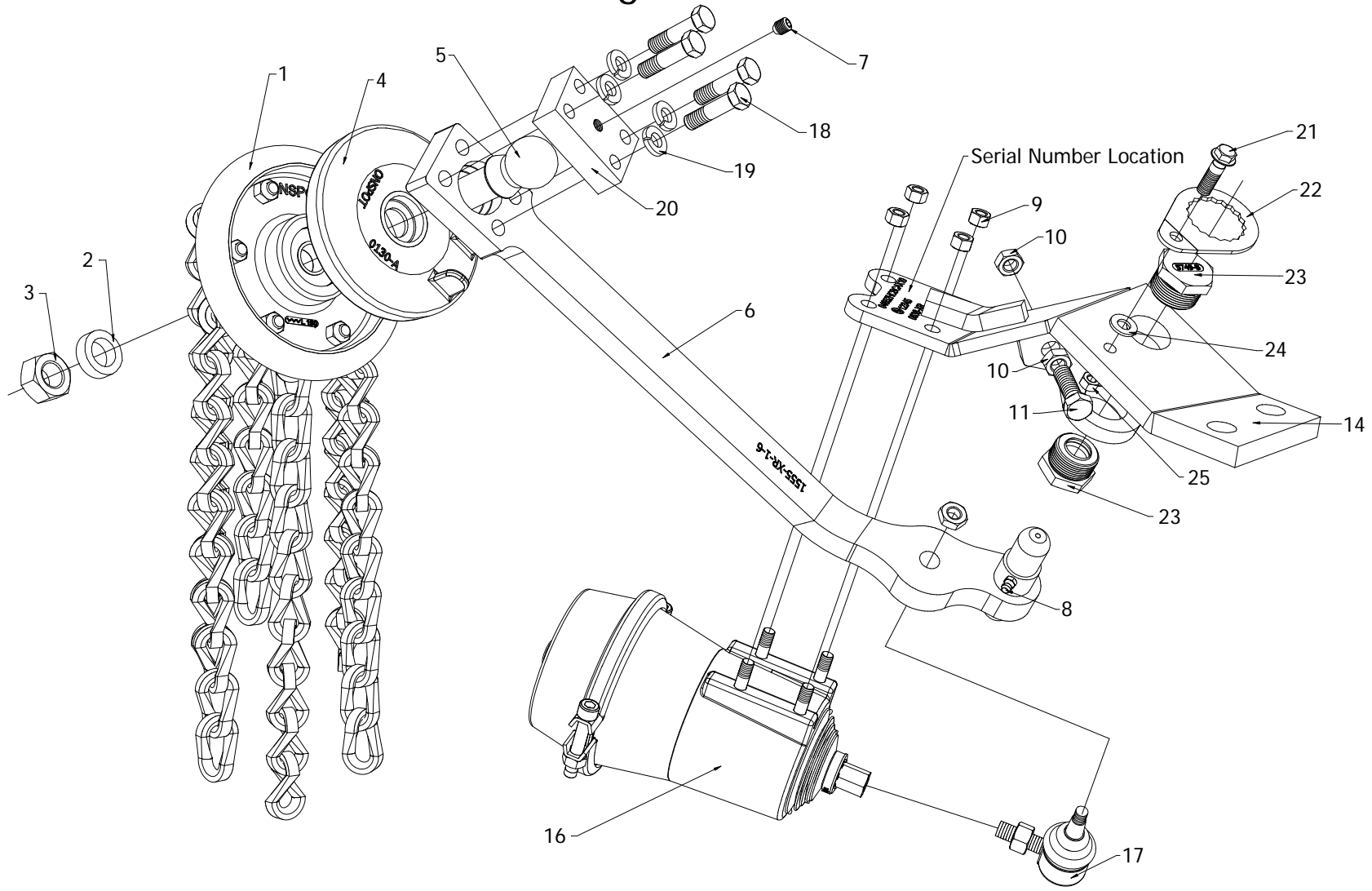
Automatic Tire Chains

Ref. No.	Part Number	Description
1	1392-AR-10	Complete Chainwheel Right Side (See Page 152 for Chainwheel Components)
	1392-AL-10	Complete Chainwheel Left Side
4	0130-A	Chainwheel Helmet
2	0450-A	Chainwheel Spacer
3	5211-A	M20 x 2.5 Chainwheel Bolt Nut
5	5262-A	M20 x 2.5 x 2 3/8" Adjustable Chainwheel Bolt
6	1551-XR-6	Arm for Right Side (Ships with Items 2, 3, 5, 7, 8, 18, 19, and 20)
	1551-XL-6	Arm for Left Side (Ships with Items 2, 3, 5, 7, 8, 18, 19, and 20)
7	1078-A	3/8-24 x 1/2" Set Screw
8	1026-A	1/4-28 Zinc Fitting
9	41755	M10 x 1.5 Nylock Nut
10	36210	1/2-13 Jam Nut
11	13209	1/2-13 x 1 1/2" Bolt as Stop Bolt
14	0638-XR	Cylinder Bracket Right Side (Ships without Brass Caps)
	0638-XL	Cylinder Bracket Left Side
16	1037-A	Complete Cylinder (See Page 162 for Cylinder Components)
17	1005-A	Angle Joint
18	39056	3/8-16 x 1 1/2" Adjustable Arm Retainer Capscrew
19	39727	3/8" Adjustable Arm Lock Washer
20	7132-B	Retainer for Adjustable Arm Bolt
21	19657	5/16-18 x 1 1/4" Serrated Flange Head Bolt
22	5750-A	Brass Cap Holder
23	5749-B	Arm Pivot Brass Cap
24	33815	3/8" Flat Washer
25	37262	5/16-18 Top Lock Nut
	04610HCBCAX-AR	Complete Right Side Assembly without Chainwheel and Helmet
	04610HCBCAX-AL	Complete Left Side Assembly without Chainwheel and Helmet
		Chainwheel Bolt Kit Includes
	5568-A	(1) 5262-A M20 x 2.5 x 2 3/8" Adjustable Chainwheel Bolt
		(1) 0450-A Chainwheel Spacer
		(1) 5211-A M20 x 2.5 Chainwheel Bolt Nut
		Hex Brass Cap Holder Kit Includes
	5570-A	(1) 5750-A Brass Cap Holder
		(1) 19657 5/16-18 x 1 1/4" Serrated Flange Head Bolt
		(1) 33815 3/8" Flat Washer
		(1) 37262 5/16-18 Top Lock Nut

NOTE: Right (Passenger) side and Left (Driver) side part numbers apply for chains mounted forward of axle.

Model 04652HCBCAX10

Right Side Shown





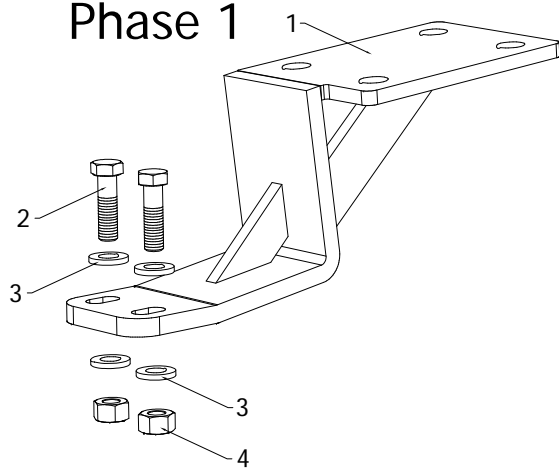
Automatic Tire Chains

Ref. No.	Part Number	Description
1	1392-AR-10	Complete Chainwheel Right Side (See Page 152 for Chainwheel Components)
	1392-AL-10	Complete Chainwheel Left Side
4	0130-A	Chainwheel Helmet
2	0450-A	Chainwheel Spacer
3	5211-A	M20 x 2.5 Chainwheel Bolt Nut
5	5262-A	M20 x 2.5 x 2 3/8" Adjustable Chainwheel Bolt
6	1555-XR-1-6	Arm for Right Side (Ships with Items 2, 3, 5, 7, 8, 18, 19, and 20)
	1555-XL-1-6	Arm for Left Side (Ships with Items 2, 3, 5, 7, 8, 18, 19, and 20)
7	1078-A	3/8-24 x 1/2" Set Screw
8	1026-A	1/4-28 Zinc Fitting
9	41755	M10 x 1.5 Nylock Nut
10	13209	1/2-13 Jam Nut
11	36210	1/2-13 x 1 1/2" Bolt as Stop Bolt
14	0638-XR	Cylinder Bracket Right Side (Ships without Brass Caps)
	0638-XL	Cylinder Bracket Left Side
16	1037-A	Complete Cylinder (See Page 162 for Cylinder Components)
17	1005-A	Angle Joint
18	39056	3/8-16 x 1 1/2" Adjustable Arm Retainer Capscrew
19	39727	3/8" Adjustable Arm Lock Washer
20	7132-B	Retainer for Adjustable Arm Bolt
21	19657	5/16-18 x 1 1/4" Serrated Flange Head Bolt
22	5750-A	Brass Cap Holder
23	5749-B	Arm Pivot Brass Cap
24	33815	3/8" Flat Washer
25	37262	5/16-18 Top Lock Nut
	04650HCBCAX-AR	Complete Right Side Assembly without Chainwheel and Helmet
	04650HCBCAX-AL	Complete Left Side Assembly without Chainwheel and Helmet
		Chainwheel Bolt Kit Includes
	5568-A	(1) 5262-A M20 x 2.5 x 2 3/8" Adjustable Chainwheel Bolt
		(1) 0450-A Chainwheel Spacer
		(1) 5211-A M20 x 2.5 Chainwheel Bolt Nut
		Hex Brass Cap Holder Kit Includes
	5570-A	(1) 5750-A Brass Cap Holder
		(1) 19657 5/16-18 x 1 1/4" Serrated Flange Head Bolt
		(1) 33815 3/8" Flat Washer
		(1) 37262 5/16-18 Top Lock Nut

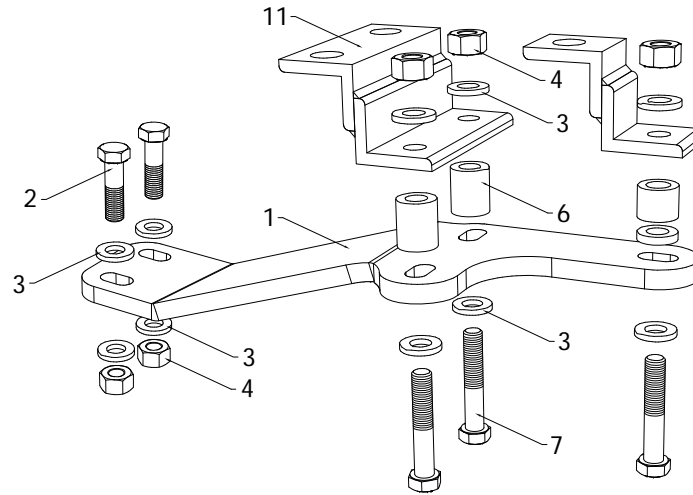
NOTE: Right (Passenger) side and Left (Driver) side part numbers apply for chains mounted forward of axle.

Vehicle Mounting Brackets

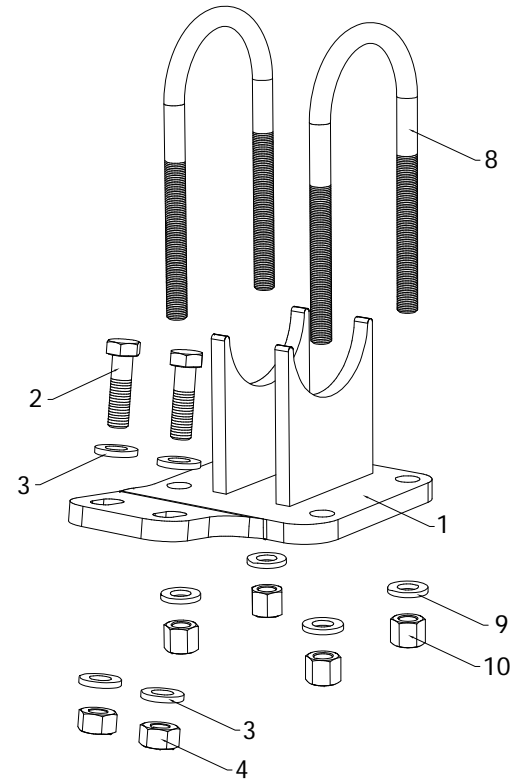
Phase 1



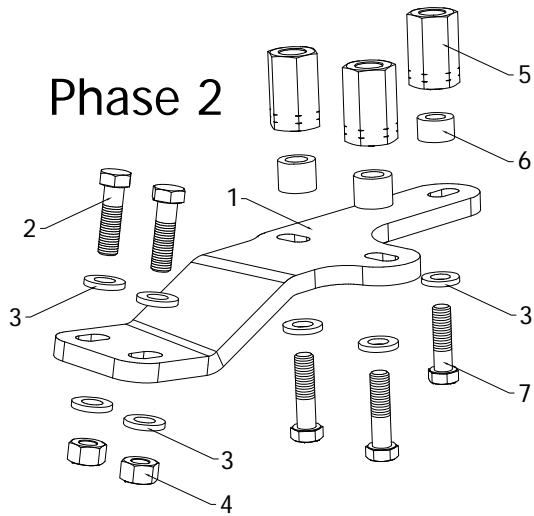
Phase 3



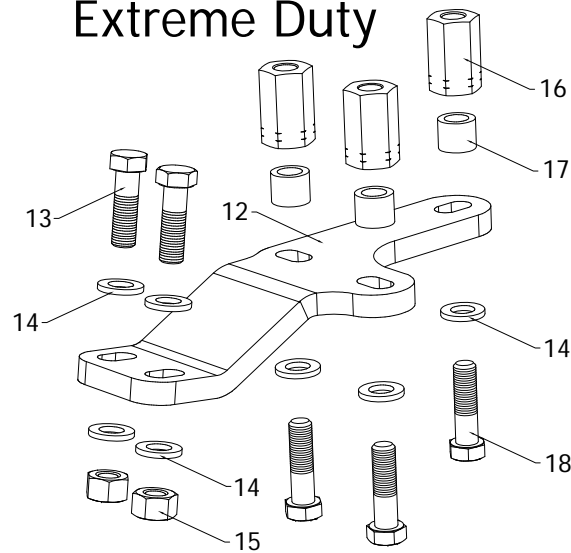
Saddle Bracket



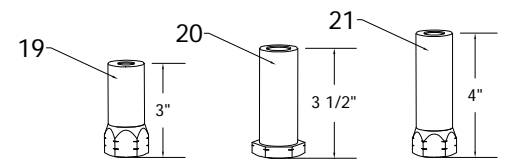
Phase 2



Extreme Duty



Special Adapter Nuts





Automatic Tire Chains

Ref. No.	Part Number	Description
1		Vehicle mounting brackets are vehicle specific and are supplied based on a completed Vehicle Suspension Information form. Drawings shown are for nomenclature purposes only.
	39147	5/8-11x1 1/2" Grade 8 Capscrew
	39148	5/8-11x1 3/4" Grade 8 Capscrew
	39149	5/8-11x2" Grade 8 Capscrew
2	39150	5/8-11x2 1/4" Grade 8 Capscrew (Chain Unit Mounting Capscrew)
	39151	5/8-11x2 1/2" Grade 8 Capscrew
	39152	5/8-11x2 3/4" Grade 8 Capscrew
	39153	5/8-11x3" Grade 8 Capscrew
	39154	5/8-11x3 1/4" Grade 8 Capscrew
	39155	5/8-11x3 1/2" Grade 8 Capscrew
	39156	5/8-11x3 3/4" Grade 8 Capscrew
	39157	5/8-11x4" Grade 8 Capscrew
	39157-A	5/8-11x4 1/4" Grade 8 Capscrew
	39158	5/8-11x4 1/2" Grade 8 Capscrew
	39158-A	5/8-11x4 3/4" Grade 8 Capscrew
	39159	5/8-11x5" Grade 8 Capscrew
	39160	5/8-11x6" Grade 8 Capscrew
	39163	5/8-11x7" Grade 8 Capscrew
	39165	5/8-11x8" Grade 8 Capscrew
7		5/8" Bracket Mounting Capscrew (Length dependent on the spacers required for your vehicle)
3	39707-A	5/8" Flat Washer
4	36786-A	5/8" Grip Nut
5		Adapter Nut Supplied for the Specific U-Bolt Size on Your Vehicle see below
	1025	Adapter Nut 1" National Fine
	1025-NC	Adapter Nut 1" National Coarse
	1125	Adapter Nut 1 1/8" National Fine
	3425	Adapter Nut 3/4" National Fine
	3425-NC	Adapter Nut 3/4" National Coarse
	7825	Adapter Nut 7/8" National Fine
	7825-NC	Adapter Nut 7/8" National Coarse
	M-141530	Sprinter Adapter Nut, M14 x 1.5 Pitch 3" Long
	M-141535	Sprinter Adapter Nut, M14 x 1.5 Pitch 3 1/2" Long Top Radius
	M-1620	Adapter Nut M16 x 2.0 Pitch
	M-2015	Adapter Nut M20 x 1.5 Pitch
	M-2020	Adapter Nut M20 x 2.0 Pitch
	M-2025	Adapter Nut M20 x 2.5 Pitch
	M-2215	Adapter Nut M22 x 1.5 Pitch
	M-2225	Adapter Nut M22 x 2.5 Pitch

NOTE: Standard length of adapter nut is 2 1/2" unless noted.

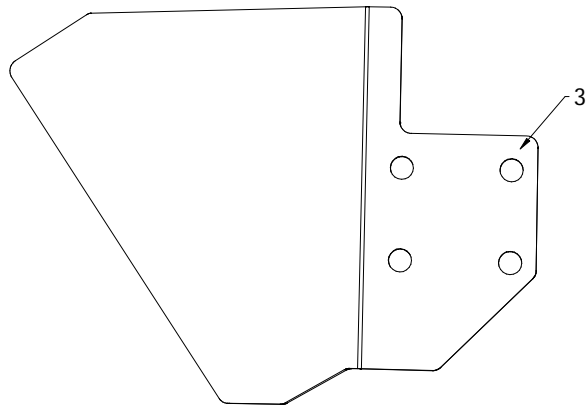
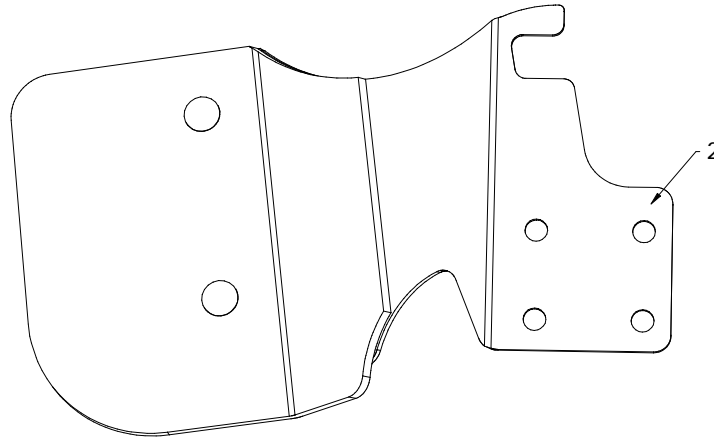
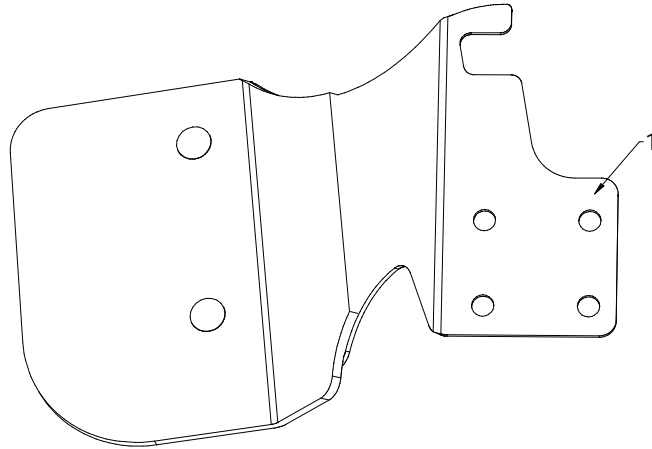


Automatic Tire Chains

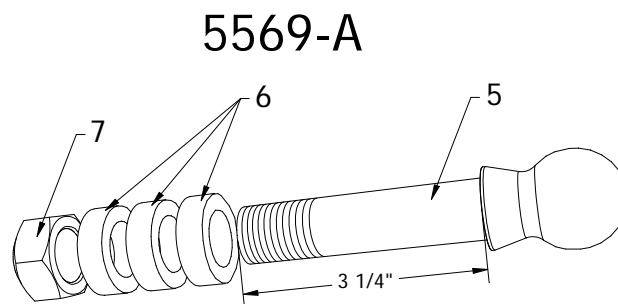
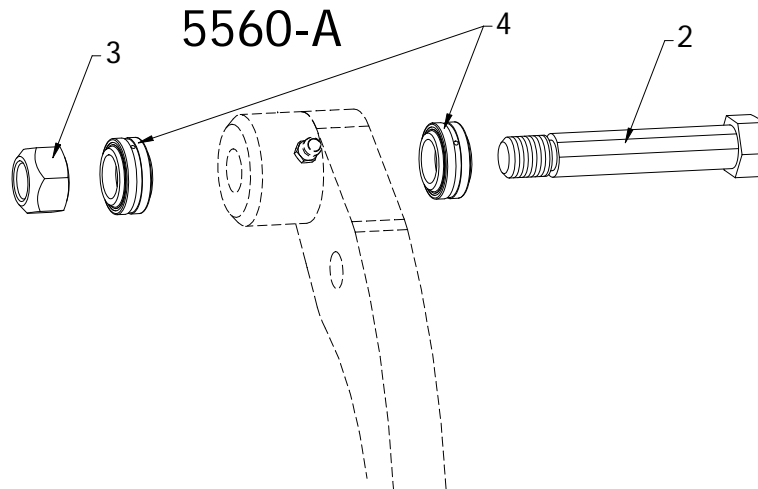
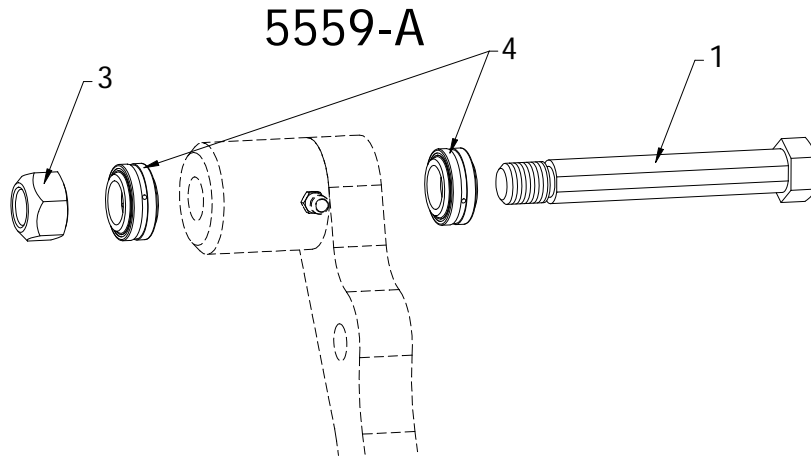
Ref. No.	Part Number	Description
6		Spacers (Actual length dependent on the Vehicle Information Form provided from your vehicle)
	0250	Spacer 1/4", 1 1/4" OD 11/16" ID
	0750	Spacer 3/4", 1 1/4" OD 11/16" ID
	1000	Spacer 1", 1 1/4" OD 11/16" ID
	1500	Spacer 1 1/2", 1 1/4" OD 11/16" ID
	2000	Spacer 2", 1 1/4" OD 11/16" ID
	2500	Spacer 2 1/2", 1 1/4" OD 11/16" ID
	3000	Spacer 3", 1 1/4" OD 11/16" ID
8		Axle U-Bolt (Size and length dependent on vehicle being fitted)
9		Flat washer for Axle U-Bolt
10		U-Bolt Nuts for Axle U-Bolt
11		"Z" Brackets for Phase 3 Installation
12	Extreme	Vehicle mounting brackets are vehicle specific and are supplied based on a completed Vehicle Suspension Information form. Drawings shown are for nomenclature purposes only.
	15360	3/4-10x1 3/4" Grade 8 Capscrew
	15361	3/4-10x2" Grade 8 Capscrew
	15362	3/4-10x2 1/4" Grade 8 Capscrew
13	15363	3/4-10x2 1/2" Grade 8 Capscrew (Chain Unit Mounting Capscrew)
	15364	3/4-10x2 3/4" Grade 8 Capscrew
	15365	3/4-10x3" Grade 8 Capscrew
	15366	3/4-10x3 1/4" Grade 8 Capscrew
	15367	3/4-10x3 1/2" Grade 8 Capscrew
	15368	3/4-10x3 3/4" Grade 8 Capscrew
	15369	3/4-10x4" Grade 8 Capscrew
	15370	3/4-10x4 1/4" Grade 8 Capscrew
18		3/4" Bracket Mounting Capscrew (Dependent on the Spacers required for your vehicle)
14	33820	3/4" Flat Washer
15	37274	3/4" Grip Nut
16	Extreme	Adapter Nut with 3/4-10 Bottom Hole Supplied for the Specific U-Bolt Size on Your Vehicle
	1025-X	Adapter Nut 1" National Fine with 3/4-10 Bottom Hole
	1125-X	Adapter Nut 1 1/8" National Fine with 3/4-10 Bottom Hole
	3425-X	Adapter Nut 3/4" National Fine with 3/4-10 Bottom Hole
	3435-X	Adapter Nut 3/4" National Fine 3 1/2" Long with 3/4-10 Bottom Hole for Primaax® Suspension
	7825-X	Adapter Nut 7/8" National Fine with 3/4-10 Bottom Hole
	M-2015-X	Adapter Nut M20 x 1.5 Pitch with 3/4-10 Bottom Hole
	M-2025-X	Adapter Nut M20 x 2.5 Pitch with 3/4-10 Bottom Hole
	M-2215-X	Adapter Nut M22 x 1.5 Pitch with 3/4-10 Bottom Hole
	M-2225-X	Adapter Nut M22 x 2.5 Pitch with 3/4-10 Bottom Hole

NOTE: Standard length of adapter nut is 2 1/2" unless noted.

Chain Trays



Other Repair Kits





Automatic Tire Chains

Part Number	Ref	Includes	Quantity
5559-A Arm Bearing Kit Spherical (04)	1	1077-B Arm Bolt, 4" Long	1
	3	5365-A Nut	1
	4	5488-A Spherical Bearing	2
5560-A Arm Bearing Kit Spherical (05)	2	1077-A Arm Bolt, 3 1/4" Long	1
	3	5365-A Nut	1
	4	5488-A Spherical Bearing	2
5569-A 3" Long Adjustable Chainwheel Bolt Kit	5	5263-A Adjustable Chainwheel Bolt	1
	6	0450-A Spacer	3
	7	5211-A Nut	1

NOTE:

